



Southwire™

SINGLE GANG IN-USE COVERS - VERTICAL OR HORIZONTAL

14 IN 1 EXTRA DUTY IN-USE COVER

FEATURES

- Mounts vertically or horizontally
- Pre-installed adhesive gasket
- Swivel device adapter enables tool free installation
- Snap in adapters enable tool free installation
- Lockable to prevent accidental disconnects
- Meets 2014 NEC article 406.8 (B) (1)
- NEMA 3R compliant
- Gray with clear cover

APPLICATIONS

- UL listed for wet locations
- For use with duplex receptacles, GFCI, toggle, 1-3/8" & 1-5/8" round

STANDARD MATERIAL

- High impact polycarbonate

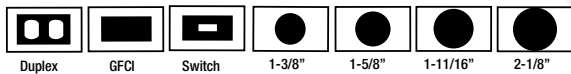
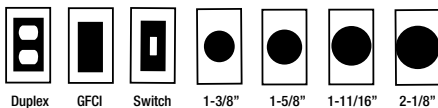


WCIU1

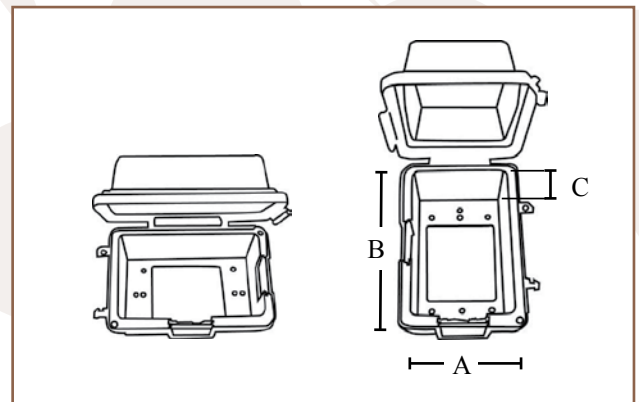


UL® Listed and 2011 NEC® and NEMA® 3R Compliant

14 possible snap in configurations



PART #	MASTER QTY.	WEIGHT/ CASE (LBS.)	A	B	C DEPTH
WCIU1	24	11	2.81"	4.56"	2.75"
WCIU1D	24	14	2.81"	4.56"	3.50"



Rev. 0, 06/23

**BUILT FOR DURABILITY.
BUILT FOR RELIABILITY.
BUILT FOR WORK.™**

1-855-798-6657 | SOUTHWIRE.COM

©2023 Southwire Company, LLC. All rights reserved.
*Registered Trademark & ™Trademark of Southwire Company, LLC.