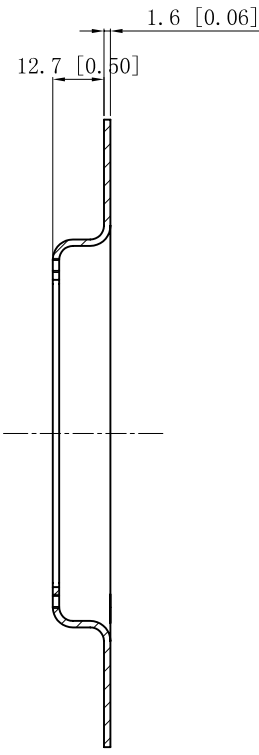
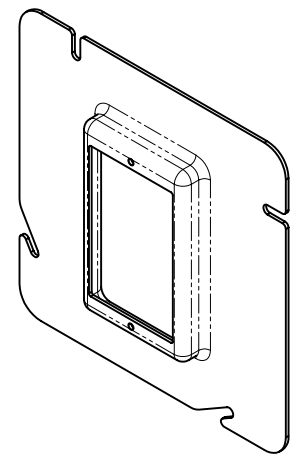
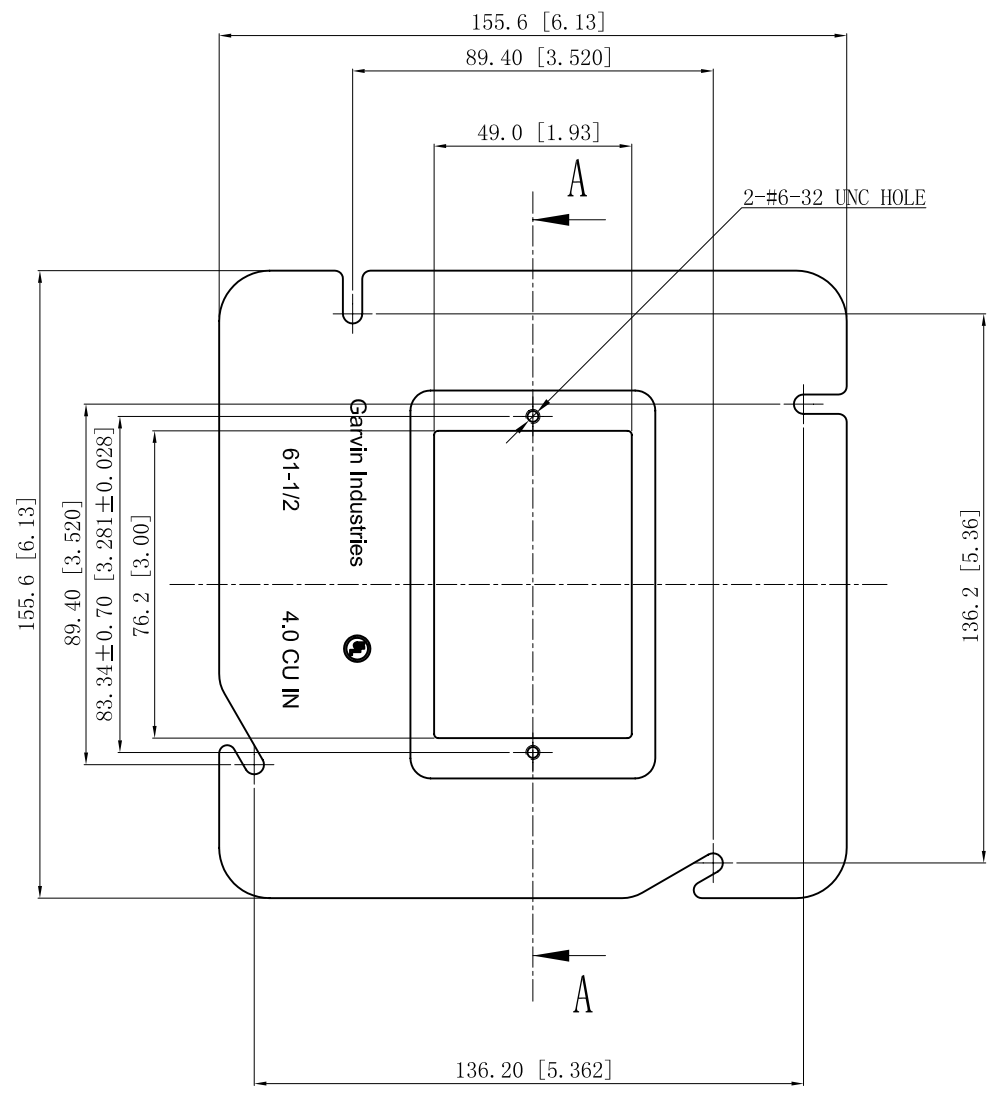


SIDES	BOTTOM
Material: Steel-(0.062")-G60 Galvanized	



CUTAWAY VIEW A-A



This data sheet is for reference only .GARVIN INDUSTRIES reserves the right to make changes to the design without prior notice.

DESCRIPTION
TRADE REFERENCE TERMS

STANDARD PACKING
25 PCS

<b>GARVIN INDUSTRIES</b>	
TITLE SINGLE GANG MUD RINGS 6" SQUARE	
SIZE A4	DWG NO. 61-1/2
DATA SHEET	
REV C	