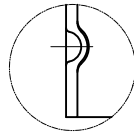
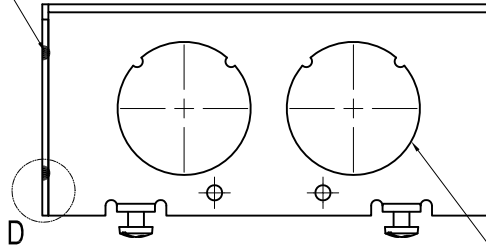


SIDES	BOTTOM
4 1" KNOCKOUTS	
4 1 1/4" KNOCKOUTS	
2 PCS 8-32x1/2 Screws Installed	
Material: Steel-0.0625"-G60 Galvanized	

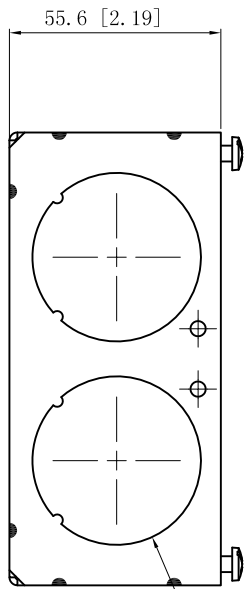
12 PLACES SPOT WELDING



WELDING STYLE DETAIL VIEW D

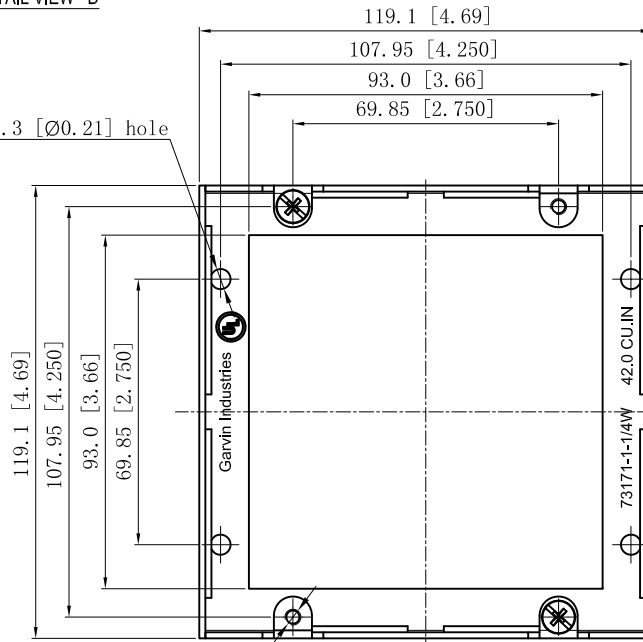


4 1" MOON KNOCKOUTS $\phi=35.00$ [$\phi=1.38$]

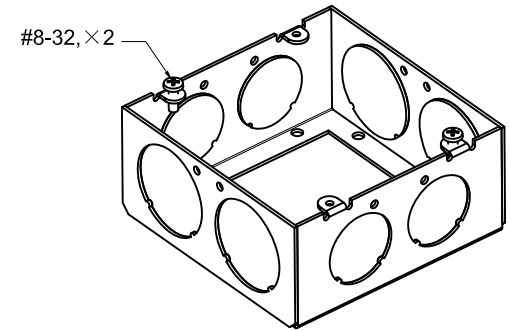


4 1 1/4" KNOCKOUTS $\phi=44.30$ [$\phi=1.744$]

8- $\phi 5.3$ [$\phi 0.21$] hole



4-#8-32 UNC HOLE



#8-32, x2

This data sheet is for reference only. GARVIN INDUSTRIES reserves the right to make changes to the design without prior notice.

DESCRIPTION
TRADE REFERENCE TERMS

STANDARD PACKING	<h1 style="text-align: center;">GARVIN INDUSTRIES</h1>		
25 PCS			
	SIZE	DWG NO.	REV
	A4	73171-1-1/4W	A
		DATA SHEET	