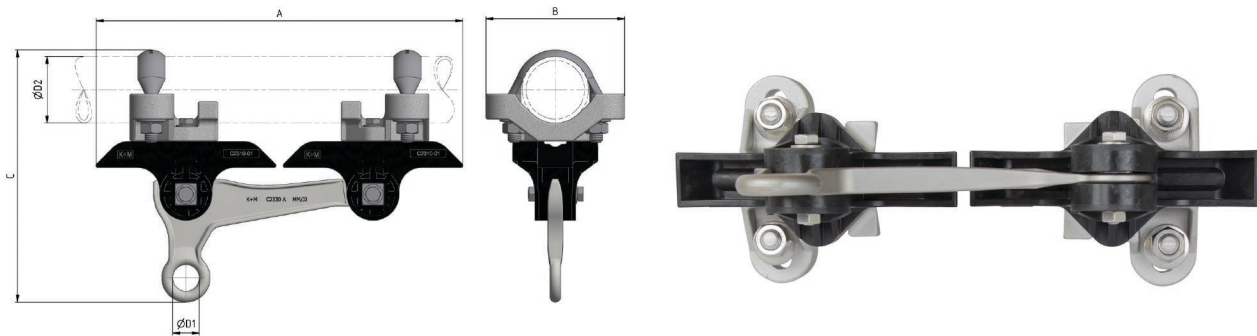


Line insulator to pipe 2" KUSYS type 2 with simple suspension eye

Item number C2379-02



Dimensions

A: 334 mm

B: 126 mm

C: 229 mm

ØD1: 24 mm

ØD2: 60.3 mm

Material and weight

Material: Kst / INOX / Alu

Weight: 2.6 kg

Loads

Tightening torque for bolts and hex-nuts M8: 17 Nm

Breaking load horizontal: 27 kN

Tightening torque for suspension screws M12: : 40 Nm

Applicable standards

DIN EN 50119

DIN EN 50124-1

DIN EN 50151

CEI / IEC 60060-1

Function

Insulator body for fastening to cross-spans, in medium to narrow bends. Suspension for tramway hanger wire or steady arms.

Specifications

Operating voltage: max. 1500 V DC

Comments

The application in overhead contact lines requires a wide insulation of the support structure to the support bases.

Optional: Exchanging the u-bolt allows mounting to pipes Ø45 - 80mm.

The suspension can be mounted to cross-spans or ceilings by exchanging the clamp.



Southwire™



A COLAS RAIL COMPANY

Contact Us: Transit@southwire.com