

Job Name/Title: _____

Model #: _____

Contractor: _____



Southwire™

STRUCTURAL ATTACHMENTS

BEAM/PURLIN

FLANGE MOUNT PLAIN ROD SUPPORT

APPLICATION

Supports plain rods from beams with flange clip.

FEATURES

Rotatable joint ensures rod maintains a vertical position

Hammer-on installation

Rod size 3/8"

MATERIAL/FINISH

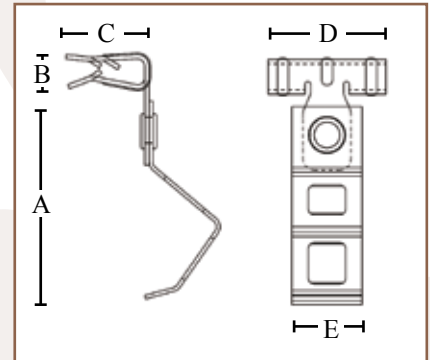
Spring Steel/GEOSEAL™

CERTIFICATIONS

UL Standard: UL 2239



6A24TZ



PART #	FLANGE SIZE	STATIC LOAD (LBS.)	A	B	C	D	E	BOX QTY.
6A24TZ	1/8" – 1/4"	200	2.12"	.157"	.886"	1.26"	.748"	100
6A912TZ	9/16" – 3/4"	200	2.12"	.568"	.886"	1.26"	.748"	100

Rev. 0, 03/23

**BUILT FOR DURABILITY.
BUILT FOR RELIABILITY.
BUILT FOR WORK.™**

1-855-798-6657 | SOUTHWIRE.COM

©2023 Southwire Company, LLC. All rights reserved.
*Registered Trademark & ™Trademark of Southwire Company, LLC.