



Southwire™

FS AND FD CAST DEVICE SINGLE GANG BOXES

SINGLE HUB - HEAVY DUTY - HOT DIP GALVANIZED

FEATURES

- Suitable for use in concrete
- Tapered threaded hubs-NPT
- Internal grounding screw
- Suitable for wet locations when used with cover and neoprene gasket

APPLICATIONS

- For use in areas where boxes are exposed to harsh locations
- Provides opening for making splices
- Serves as a pull box for conductors
- Allows connection for branch conduit runs

STANDARD MATERIAL

- Malleable iron

STANDARD FINISH

- Hot dip galvanized

CERTIFICATIONS

- UL Standard: UL 514A
- Fed. Spec: Fed. Spec. A-A-50563
- CSA C22.2 No. 18.3
- NEMA: FB 1

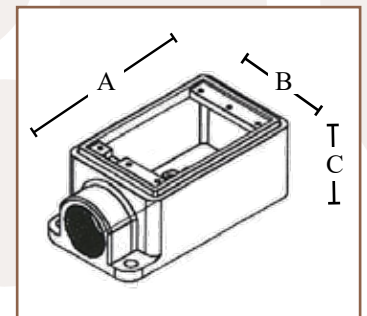


FS1MHDG



Conforms to finish thickness
ASTM A123/123M

PART #	SIZE	MASTER QTY.	WEIGHT/ CASE (LBS.)	A	B	C
FS TYPE						
FS1MHDG	1/2"	10	24	6.07	2.93"	2.20"
FS2MHDG	3/4"	10	25	6.07	2.93"	2.20"
FS3MHDG	1"	10	25	6.07	2.93"	2.20"
FD TYPE - DEEP						
FD1MHDG	1/2"	10	28	6.09"	2.97"	2.90"
FD2MHDG	3/4"	10	29	6.09"	2.97"	2.90"
FD3MHDG	1"	10	29	6.09"	2.97"	2.90"



Rev. 0, 05/23

**BUILT FOR DURABILITY.
BUILT FOR RELIABILITY.
BUILT FOR WORK.™**

1-855-798-6657 | SOUTHWIRE.COM

©2023 Southwire Company, LLC. All rights reserved.
*Registered Trademark & ™Trademark of Southwire Company, LLC.