



**Southwire™**

**BOX SUPPORT SYSTEM**

**BOX MOUNTING BRACKET**

**APPLICATION**

Secures multiple boxes between studs using one bracket; 16" supports up to 3 boxes and 24" supports up to 4 boxes.

**FEATURES**

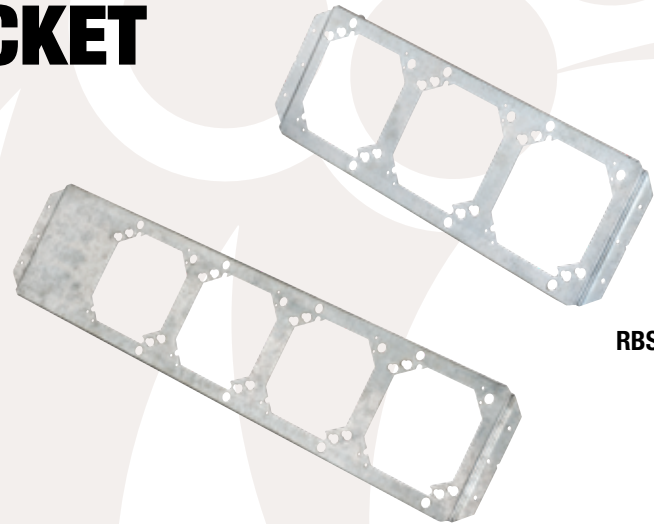
For use with 4" & 4-11/16" outlet boxes  
 Suitable for 1-1/2" & 2-1/8" deep boxes  
 Supports single or multiple boxes, plaster rings or low voltage devices

**MATERIAL/FINISH**

Steel/Galvanized

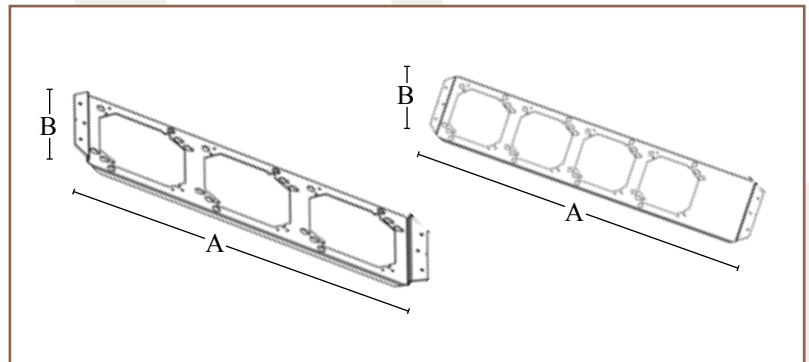
**CERTIFICATIONS**

UL Standard: UL514A



**RBS16TZ**

**RBS24TZ**



PART #	STUD SPACING	A	B	BOX QTY.
RBS16TZ	16"	16"	5"	20
RBS24TZ	24"	24"	5"	20

Rev. 0, 03/23

**BUILT FOR DURABILITY.  
 BUILT FOR RELIABILITY.  
 BUILT FOR WORK.™**

**1-855-798-6657 | SOUTHWIRE.COM**

©2023 Southwire Company, LLC. All rights reserved.  
 \*Registered Trademark & ™Trademark of Southwire Company, LLC.