



LED LINEAR VAPOR TIGHT POWER & CCT SELECTABLE

SUGGESTED APPLICATIONS

- Commercial
- Industrial
- Production areas
- Stairwells
- Parking garages
- Subway stations

FEATURES

- Choose 3 wattages and 3 color temperature at installation for 9 possible configurations on select models¹
- Meets harsh demands IP66 Rated, IK09 impact rating, NEMA 4X housing
- ETL Sanitation Listed NSF/ANSI Standard 2 - Food Equipment, Splash Zone (Not for Direct Food Zone)
- Stainless-steel latching clips offer easy toolless entry
- Durable UL 5VA flame rated polycarbonate lens and gray housing
- ½" NPT threaded hubs for conduit and cord/bushing entry for continuous end-to-end connection
- Surface mount installation accessories included, J-Box, angle, and suspended mount cable kits sold separately
- Available in 2' 4', 8' lengths with emergency battery backup and motion sensor models available

2 FT.



4 FT.



8 FT.



INPUT VOLTAGE: 120-277V

FREQUENCY: 50/60Hz

POWER FACTOR, THD %:
>0.9, <20%

**DIMMABLE: 0-10V,
DOWN TO 10%²**

EFFICACY: 145 LPW

MINIMUM CRI: 80

**FUNCTIONAL LIFE (L70):
50,000 HOURS**

LOCATION RATING: WET

**AMBIENT OPERATING
TEMPERATURE:
STANDARD:
-40°F TO 113°F
MODELS W/ EM, MS:
-0°F TO 113°F**



**BUILT FOR DURABILITY.
BUILT FOR RELIABILITY.
BUILT FOR WORK.™**

800-666-2852 | TOPAZ-USA.COM

©2022 Southwire Company, LLC. All rights reserved.
*Registered Trademark & ™ Trademark of Southwire Company, LLC.

Job Name/Title: _____

Model #: _____

Contractor: _____



LED LINEAR VAPOR TIGHT POWER & CCT SELECTABLE

ITEM SPECIFICATIONS | ORDER INFO

MODEL #	ORDER CODE	UPC	SIZE (TRADE)	LUMENS	WATTAGE	INPUT CURRENT @120/277V	CCT	DLC ID ² STANDARD	DLC ³ PREMIUM
LVT2-20-CS	73811	032886300608	2'	2,600	20W	0.183/0.079A	3500K 4000K* 5000K	S-XSTL78	S-70613C
LVT4-50PCS	73814	032886300639	4'	4,350 5,800 7,250	30W 40W 50W*	0.275/0.119A 0.367/0.159A 0.458A/0.199A	3500K 4000K* 5000K	S-WXMOIJ	S-RSLYOU
LVT4-50PCS-EM	73815	032886300646	4'	4,350 5,800 7,250	30W 40W 50W*	0.275/0.119A 0.367/0.159A 0.458A/0.199A	3500K 4000K* 5000K	S-WXMOIJ	S-RSLYOU
LVT4-50PCS-EMS	73816	032886300660	4'	4,350 5,800 7,250	30W 40W 50W*	0.275/0.119A 0.367/0.159A 0.458A/0.199A	3500K 4000K* 5000K	S-WXMOIJ	S-RSLYOU
LVT4-50PCS-MS	73817	032886300653	4'	4,350 5,800 7,250	30W 40W 50W*	0.275/0.119A 0.367/0.159A 0.458A/0.199A	3500K 4000K* 5000K	S-WXMOIJ	S-RSLYOU
LVT8-70PCS	73818	032886300677	8'	7,250 8,700 10,150	50W 60W 70W*	0.458/0.199A 0.55/0.238A 0.624/0.278A	3500K 4000K* 5000K	S-MD7JUQ	S-HJM13A
LVT8-70PCS-EM	73819	032886300684	8'	7,250 8,700 10,150	50W 60W 70W*	0.458/0.199A 0.55/0.238A 0.624/0.278A	3500K 4000K* 5000K	S-MD7JUQ	S-HJM13A
LVT8-70PCS-MS	73820	032886300691	8'	7,250 8,700 10,150	50W 60W 70W*	0.458/0.199A 0.55/0.238A 0.624/0.278A	3500K 4000K* 5000K	S-MD7JUQ	S-HJM13A

NOMENCLATURE

EXAMPLE: LVT4-50PCS-EMS

PRODUCT	SIZE	WATTAGE	CCT	OPTIONS
Linear Vapor Tight	2 = 2 Ft. 4 = 4 Ft. 8 = 8 Ft.	20 = 20W 50P = 30W/40W/50W selectable 70P = 50W/60W/70W selectable	CS = Color temperature selectable	EM = Emergency battery backup EMS = Emergency battery backup & motion sensor MS = Motion sensor

ACCESSORIES (SOLD SEPARATELY)

MODEL #	ORDER CODE	UPC	DESCRIPTION
LVT-ANGL-MNT	73821	032886300714	ANGLE MOUNT KIT
LVT-JBOX-MNT	73822	032886300707	J-BOX MOUNT KIT
F-LED-CABLE 2PK	72708	751338027428	5.5' SUSPENDED MOUNT CABLE KIT



LVT-ANGL-MNT



LVT-JBOX-MNT



F-LED-CABLE 2PK

**BUILT FOR DURABILITY.
BUILT FOR RELIABILITY.
BUILT FOR WORK.™**

800-666-2852 | TOPAZ-USA.COM

©2022 Southwire Company, LLC. All rights reserved.
*Registered Trademark & ™Trademark of Southwire Company, LLC.



LED LINEAR VAPOR TIGHT POWER & CCT SELECTABLE

MOTION SENSOR PRE-PROGRAMMED SETTINGS

SENSITIVITY	HOLD TIME	DAYLIGHT THRESHOLD	STANDBY DIMMING LEVEL	STANDBY DIMMING PERIOD
100%	10 MINUTES	DISABLE	10%	INFINITY

ENERGY SAVINGS *Based on 12 hours/day and \$0.11/kWh*

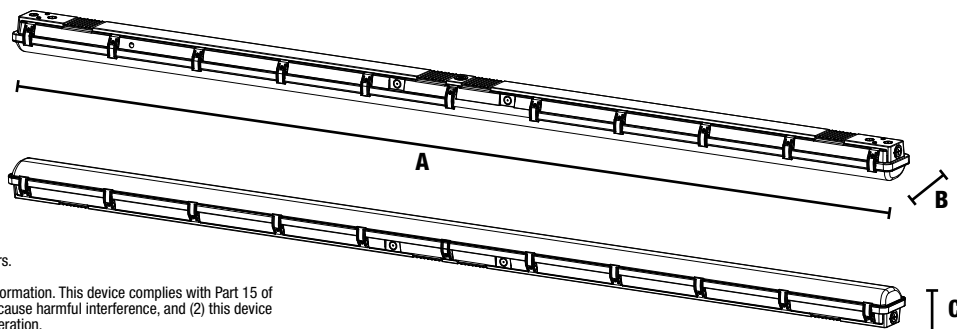
MODEL #	LED WATTAGE	FLUORESCENT REPLACEMENT WATTAGE	WATTS SAVED	YEARLY SAVINGS	5 YEAR SAVINGS
LVT2-20-CS	20W	1 x 32W T8	12W	\$6	\$29
LVT4-50PCS-XXX	30W	1 x 54W T5	24W	\$12	\$58
LVT4-50PCS-XXX	40W	2 x 32W T8	20W	\$10	\$48
LVT4-50PCS-XXX	50W	2 x 54W T5	58W	\$28	\$140
LVT8-70PCS-XXX	50W	F96T12 HO 110W	60W	\$29	\$145
LVT8-70PCS-XXX	60W	F96T12 HO 110W	50W	\$24	\$120
LVT8-70PCS-XXX	70W	F96T12 VHO 185W	115W	\$55	\$277

DIMENSIONS/WEIGHT

MODEL #	A	B	C	WEIGHT (LBS.)	KNOCKOUTS
LVT2-20-CS	23.6"	4.33"	3.46"	3.3	(2) 1/2" NPT threaded hubs
LVT4-50PCS	47.24"	4.33"	3.46"	4.9	(3) 1/2" NPT threaded hubs
LVT4-50PCS-EM	47.24"	4.33"	3.46"	6	(3) 1/2" NPT threaded hubs
LVT4-50PCS-EMS	47.24"	4.33"	3.46"	6.1	(3) 1/2" NPT threaded hubs
LVT4-50PCS-MS	47.24"	4.33"	3.46"	5	(3) 1/2" NPT threaded hubs
LVT8-70PCS	94.49"	4.33"	3.46"	9.9	(3) 1/2" NPT threaded hubs
LVT8-70PCS-EM	94.49"	4.33"	3.46"	11	(3) 1/2" NPT threaded hubs
LVT8-70PCS-MS	94.49"	4.33"	3.46"	10	(3) 1/2" NPT threaded hubs

NOTES

¹LVT2-20-CS is CCT selectable only.
 Motion sensor models are non-dimmable.
²DLC Primary Use- Standard: Direct Linear Ambient Luminaires
³DLC Primary Use- Premium: Stairwell and Passageway Luminaires
 Dimming- Dimming with standard 0-10V control system or wall dimmers.
 Dimming complies with IEC60929 Annex E. Fixture may not be compatible with all dimmers.
 Dimming performance may vary based on selected dimmer.
 Visit www.topaz-usa.com/led-dimmer-compatibility for up-to-date dimmer compatibility information. This device complies with Part 15 of the FCC Rules. Operation is subject to the following two conditions: (1) this device may not cause harmful interference, and (2) this device must accept any interference received, including interference that may cause undesired operation.
 FIVE (5) YEAR LIMITED WARRANTY: SOUTHWIRE COMPANY, LLC. For details visit: <https://southwire.com/resources/warranties>



**BUILT FOR DURABILITY.
 BUILT FOR RELIABILITY.
 BUILT FOR WORK.™**

800-666-2852 | TOPAZ-USA.COM

©2022 Southwire Company, LLC. All rights reserved.
 *Registered Trademark & ™Trademark of Southwire Company, LLC.