

| | |
|--|----------------------------|
| SIDES | BOTTOM |
| 10 1/2"-3/4" MOON KNOCKOUTS | 4 1/2"-3/4" MOON KNOCKOUTS |
| | |
| | |
| 2 PCS 8-32×1/2 Screws Installed | |
| Material: Steel-0.0625"-G60 Galvanized | |

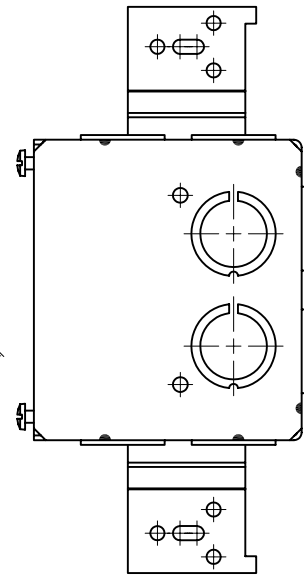
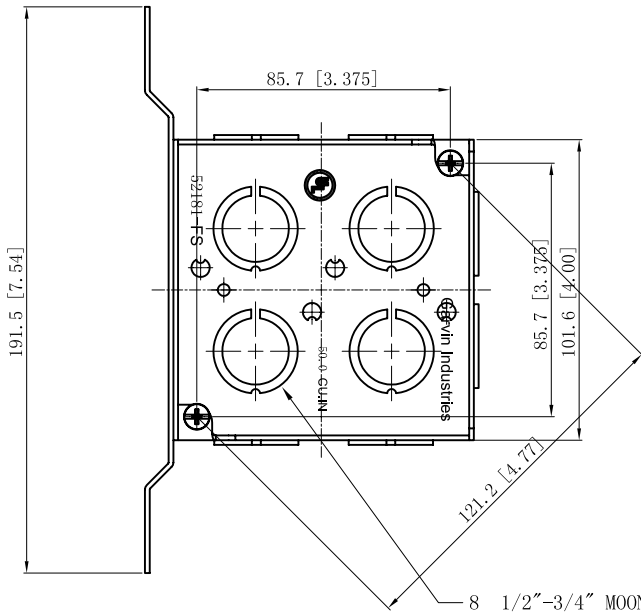
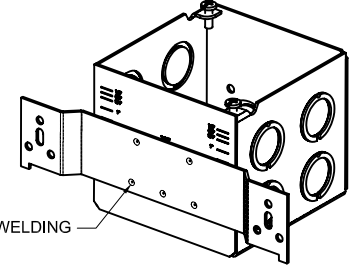
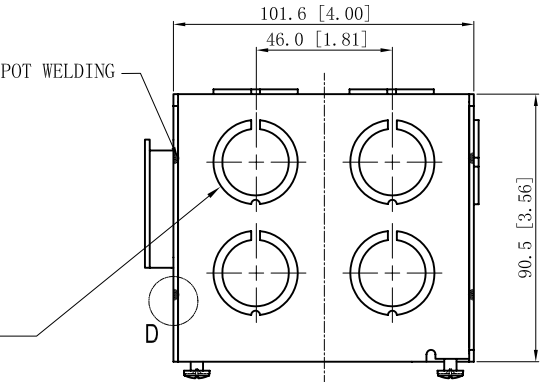
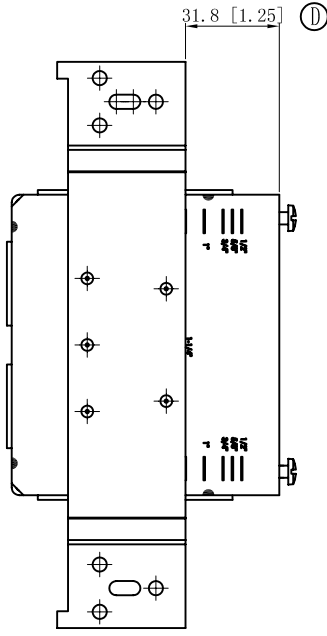
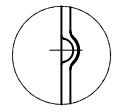
8 1/2"-3/4" MOON KNOCKOUTS $\phi=22.5$ [$\phi=0.89$]
 $\phi=28.5$ [$\phi=1.12$]

12 PLACES SPOT WELDING

#8-32 UNC, ×2
 [SEE NOTE 5]

5 PLACES SPOT WELDING

WELDING STYLE DETAIL VIEW D



8 1/2"-3/4" MOON KNOCKOUTS $\phi=22.5$ [$\phi=0.89$]
 $\phi=28.5$ [$\phi=1.12$]

This data sheet is for reference only .GARVIN INDUSTRIES reserves the right to make changes to the design without prior notice.

| |
|------------------------------|
| DESCRIPTION |
| |
| TRADE REFERENCE TERMS |
| |

| |
|-------------------------|
| STANDARD PACKING |
| 25 PCS |

| | | |
|--------------------------------------|---------------------|----------|
| GARVIN INDUSTRIES | | |
| TITLE 4" SQUARE BOXES 3-1/2" DEEP | | |
| SIZE A4 | DWG NO. 52181-FS | REV D |
| DATA SHEET | | |