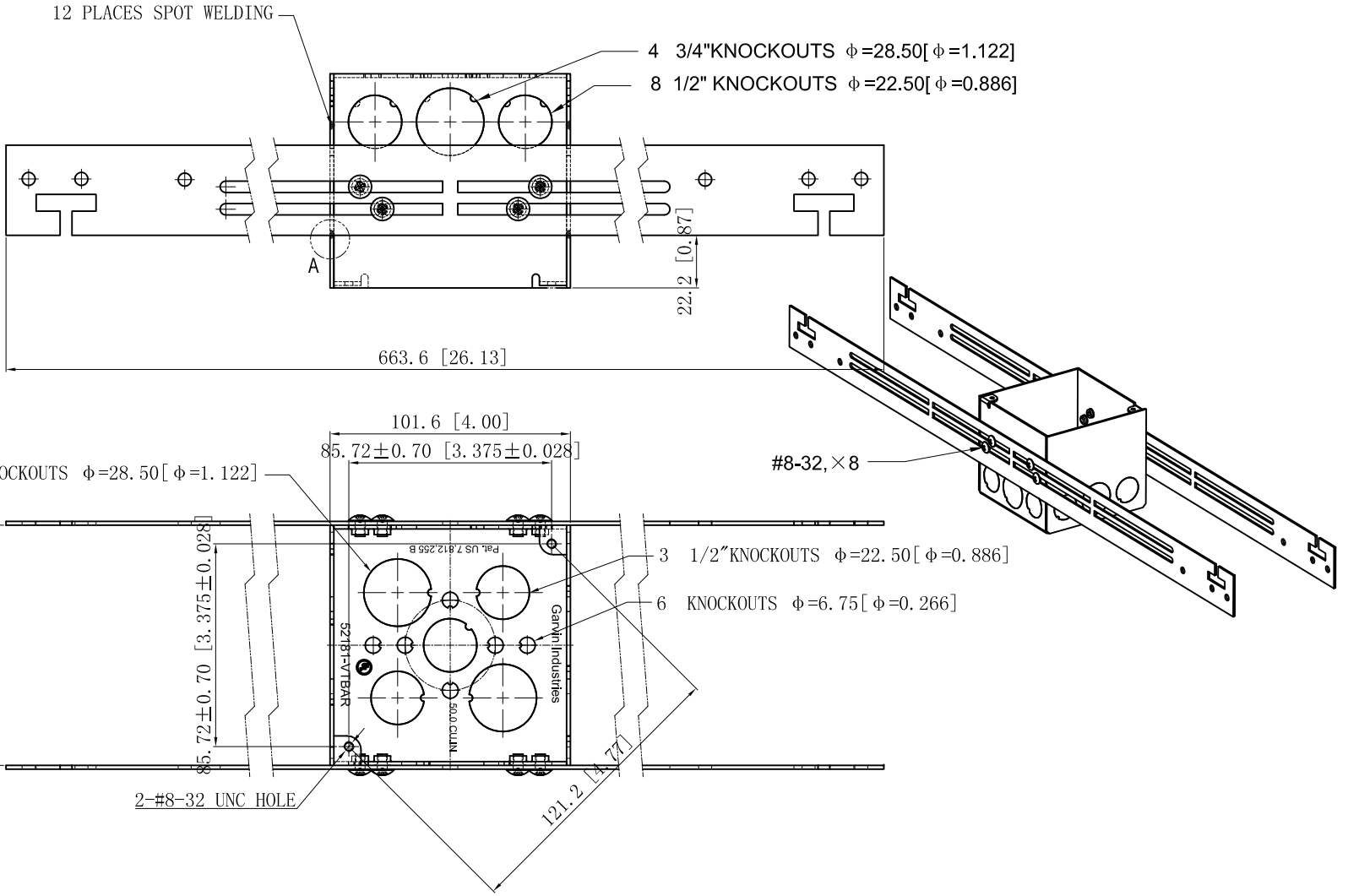


| SIDES | BOTTOM |
|--|------------------|
| 4 3/4" KNOCKOUTS | 2 1/2" KNOCKOUTS |
| 8 1/2" KNOCKOUTS | 2 3/4" KNOCKOUTS |
| | 6 NAIL KNOCKOUTS |
| 8 PCS #8-32×1/4 Screws Installed | |
| Material: Steel-0.0625"-G60 Galvanized | |



| DESCRIPTION |
|-------------------------------|
| Patent #: Pat. US 7,812,255 B |
| TRADE REFERENCE TERMS |
| |

This data sheet is for reference only .GARVIN INDUSTRIES reserves the right to make changes to the design without prior notice.

| | | | |
|------------------|--|---------------------------|--|
| STANDARD PACKING | <h1 style="text-align: center;">GARVIN INDUSTRIES</h1> | | |
| | | | |
| 10 PCS | TITLE | 52181-VTBAR DATA SHEET | |
| | SIZE A4 | | |