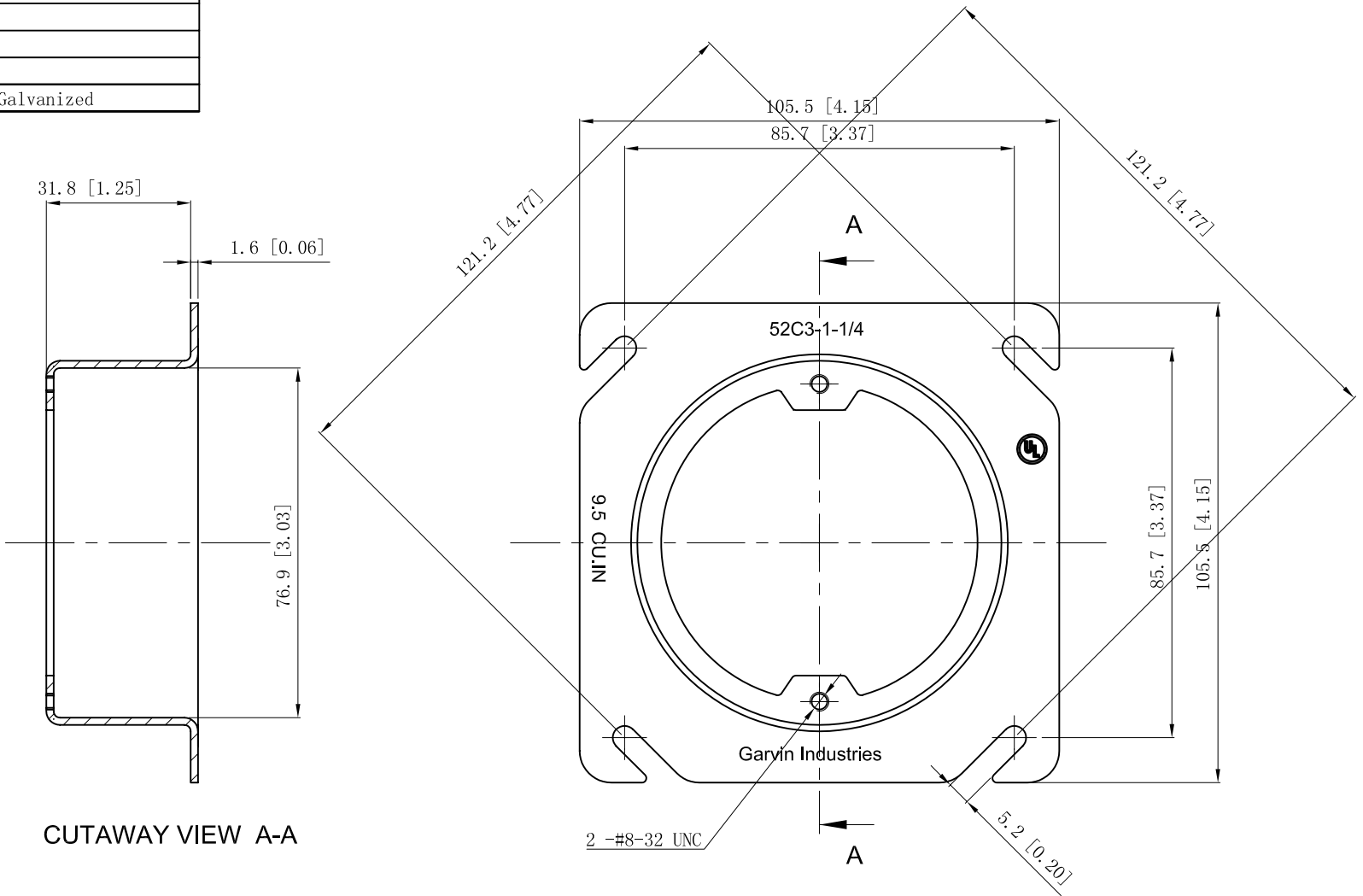


SIDES	BOTTOM
Material: Steel-0.0625"-G60 Galvanized	



CUTAWAY VIEW A-A

This data sheet is for reference only .GARVIN INDUSTRIES reserves the right to make changes to the design without prior notice.

DESCRIPTION
TRADE REFERENCE TERMS

STANDARD PACKING
25 PCS

<b>GARVIN INDUSTRIES</b>	
TITLE 4" SQUQRE-TO-ROUND DEVICE RINGS	
SIZE A4	DWG NO. 52C3-1-1/4
DATA SHEET	
REV A	