



# Southwire™

## CONDUIT BODY COVER

### FORM 7 LIQUIDTIGHT WITH INTEGRAL GASKET

#### FEATURES

- Domed for extra capacity
- Liquidtight, raintight, oiltight
- Suitable for use in Class I Division 2, Class II Division 1 & 2, Class III Division 1 hazardous locations
- Unique wedge clamp cover design allows easy removal without damaging the conduit body; domed cover design provides additional capacity
- NEMA 3R

#### APPLICATION

- Interchangeable with all major brand Form 7 conduit bodies

#### STANDARD MATERIAL

- Gray iron
- Stainless steel screws
- Silicone gasket

#### STANDARD FINISH

- Eco-friendly finish with superior corrosion resistant coating
- Exceeds 200 hour salt spray test

#### CERTIFICATIONS

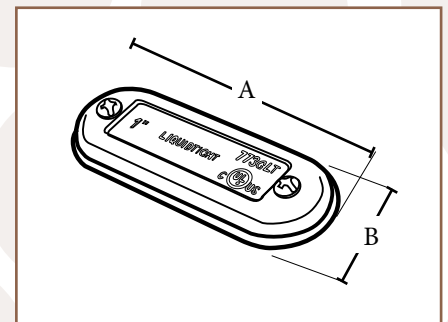
- UL Standard: UL 514A
- Fed. Spec: A-A-50563
- NEMA: FB 1 NEMA 3R Raintight



771GLT



PART #	SIZE	INNER QTY.	MASTER QTY.	WEIGHT/CASE (LBS.)	A	B	DEPTH
771GLT	1/2"	10	100	36	3.70"	1.30"	.60"
772GLT	3/4"	10	100	38	4.30"	1.60"	.50"
773GLT	1"	5	50	29	5"	1.80"	.60"
774GLT	1-1/4"	---	25	21	5.60"	2.20"	.70"
775GLT	1-1/2"	---	20	21	6.10"	2.40"	.70"
776GLT	2"	---	20	40	7.10"	3"	.70"
777GLT	2-1/2" - 3"	---	10	20	9.10"	4.30"	.80"
779GLT	3-1/2" - 4"	---	10	31	11"	5.30"	.80"



Rev. 0, 05/23

**BUILT FOR DURABILITY.  
BUILT FOR RELIABILITY.  
BUILT FOR WORK.™**

1-855-798-6657 | SOUTHWIRE.COM

©2023 Southwire Company, LLC. All rights reserved.  
\*Registered Trademark & ™Trademark of Southwire Company, LLC.