



Southwire™

16 | 20A USER ATTACHABLES

Shockshield in-line user attachable for OEM connection of cable.



TRIP POINT UP TO 30MA

LESS THAN 25MS TRIP RESPONSE TIME

MANUAL RESET

CAN BE EASILY ATTACHED BY CONNECTING THE GFCI IN SERIES WITH THE SUPPLY CABLE 9 TO 10

INCHES FROM THE PLUG END TO PROVIDE GFCI PROTECTION

APPLICATIONS: OEM / CUSTOM CORD SET



26140010-6

APPLICATIONS
Copiers
Film Processors
Printers
Image Setters
Scanners
Appliances

MODEL #	ELECTRICAL RATING			CORD GAUGE	ENCLOSURE COLOR	TRIP LEVEL
26140010-6	120V	20A	60Hz	Accepts 18 - 12 AWG (SJT)	BLACK	30mA
25040101-3	240V	16A	60Hz	Accepts 18 - 12 AWG (SJT)	BLACK	10mA

TECHNICAL DATA	
VOLTAGE SURGE WITHSTAND	3 Kv Ringwave Test and 4Kv/2Ka Surge Immunity Test
RADIO FREQUENCY NOISE SUSCEPTIBILITY	Operates Within Normal Limits With 0.5 Volts Injected On Power Line 150Khz-230Mhz
ENDURANCE	3,000 Operations Minimum
OVERLOAD CURRENT	Six Times Rated Current
OPERATING TEMPERATURE RANGE	10°C to 60°C
EFFECT OF 10 AMP TURN DC SOCK FAULT TRIP	5% Maximum Trip Level Variation on Ground
INSULATION VOLTAGE	1500 Vrms - 1 Min.
POWER INDICATION	Mechanical Indicator

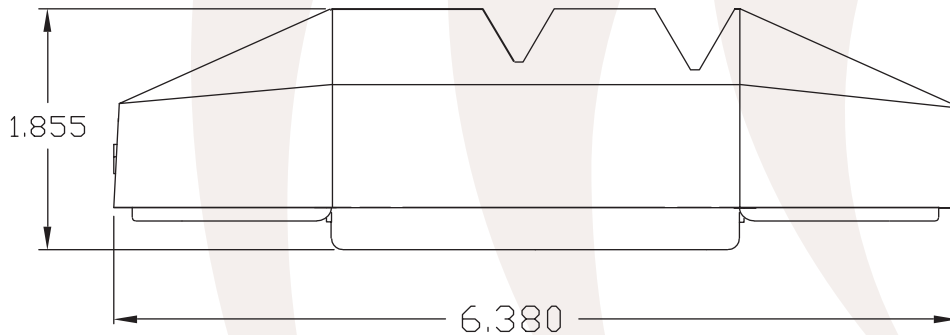
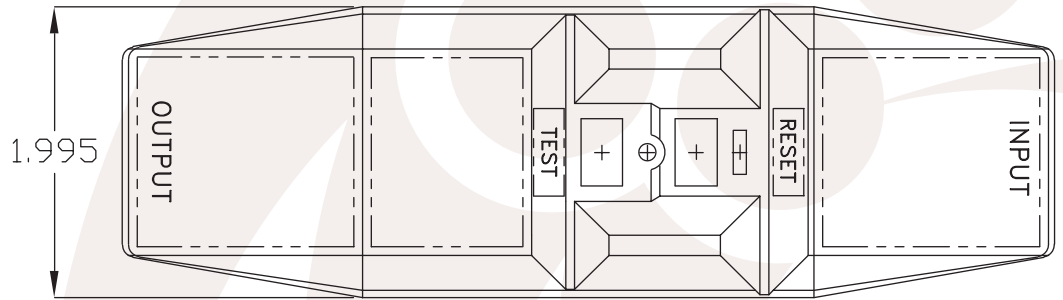
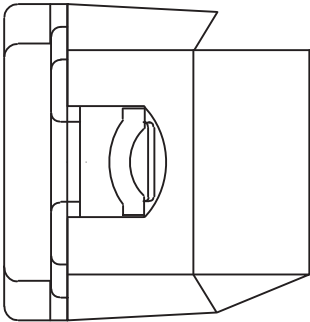
**BUILT FOR DURABILITY.
BUILT FOR RELIABILITY.
BUILT FOR WORK.™**

1-855-798-6657 | SOUTHWIRE.COM

©2023 Southwire Company, LLC. All rights reserved.
*Registered Trademark & ™Trademark of Southwire Company, LLC.



Southwire™



**BUILT FOR DURABILITY.
BUILT FOR RELIABILITY.
BUILT FOR WORK.™**

1-855-798-6657 | SOUTHWIRE.COM

©2023 Southwire Company, LLC. All rights reserved.
*Registered Trademark & ™Trademark of Southwire Company, LLC.