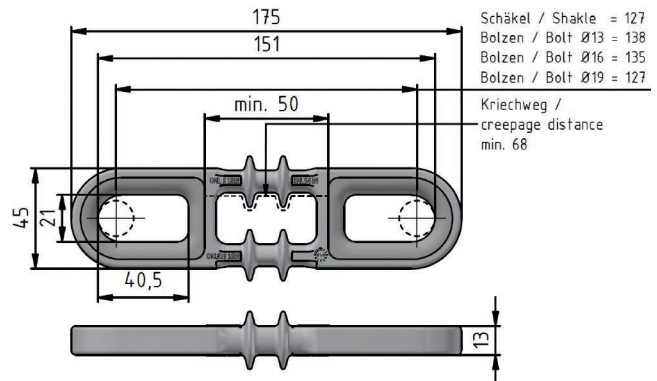


# KULOOP Loop insulator short 1,5 kV

Item number D4069-01



## Applicable standards

Insulator acc. EN 50124-1, IEC 61952, IEC 62217

## Specification

System voltage (Um)	1,5 kV
Power-frequency voltage (50 Hz), wet (50 Hz)	6,9 kV
Lightning impulse voltage 1,2/50	15 kV
Minimal creepage distance	~ 68 mm
Minimal arcing distance	50 mm
Specified mechanical load (SML) in combination with shackle E0928	54 kN

Permissible operating load (OML) in combination with shackle E0928	18 kN
Specified mechanical load (SML) in combination with bolt Ø19	48 kN
Permissible operating load (OML) in combination with bolt Ø19	16 kN
Specified mechanical load (SML) in combination with bolt Ø16	45 kN
Permissible operating load (OML) in combination with bolt Ø16	15 kN
Specified mechanical load (SML) in combination with bolt Ø13	42 kN
Permissible operating load (OML) in combination with bolt Ø13	14 kN

## Downloads

<https://www.kummlermatter.ch/en/offers/downloads>



**Southwire™**



A COLAS RAIL COMPANY

Contact Us: [Transit@southwire.com](mailto:Transit@southwire.com)