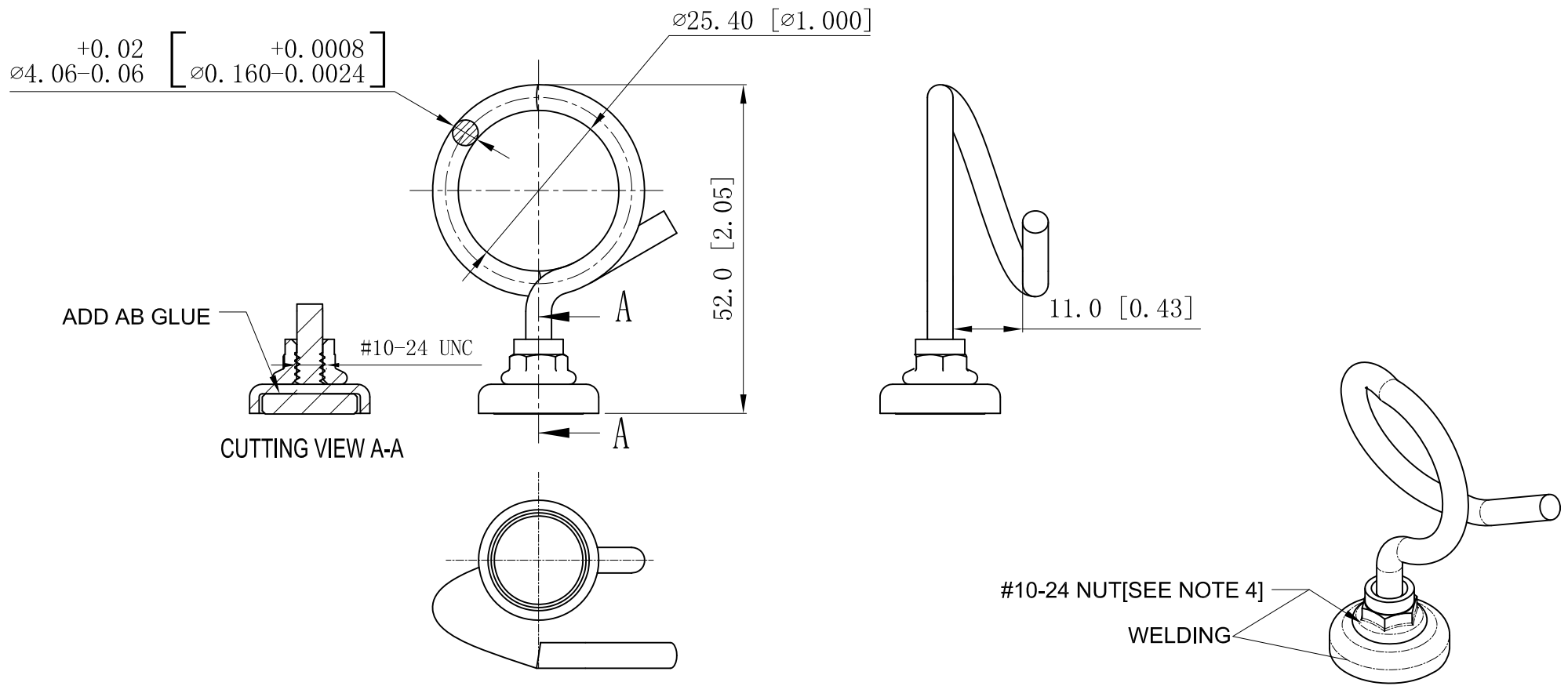


SIDES	BOTTOM
Material: Steel-0.16"-(C1008-C1018) White powder coating	



This data sheet is for reference only .GARVIN INDUSTRIES reserves the right to make changes to the design without prior notice.

DESCRIPTION
TRADE REFERENCE TERMS

STANDARD PACKING	<h1 style="text-align: center;">GARVIN INDUSTRIES</h1>		
	<h2 style="text-align: center;">MACHINE-SCREW BRIDLE RIGS</h2>		
	SIZE	DWG NO.	REV
	A4	BRM-100WH	
	DATA SHEET		