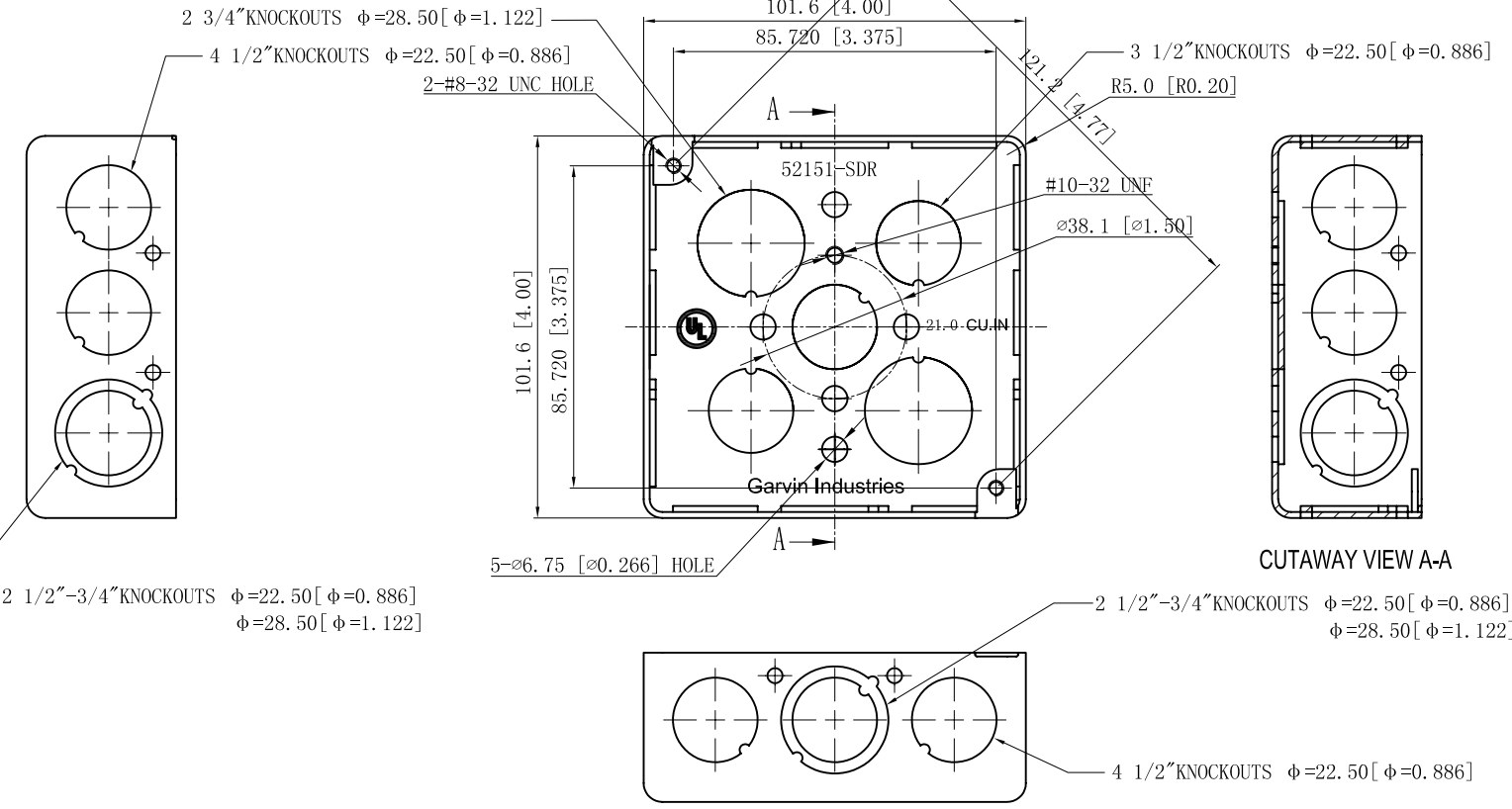
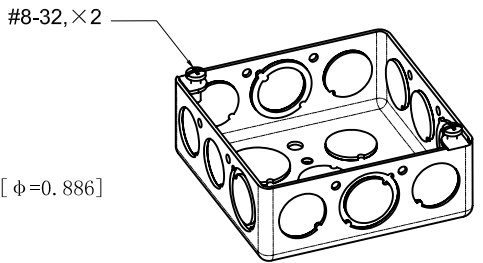
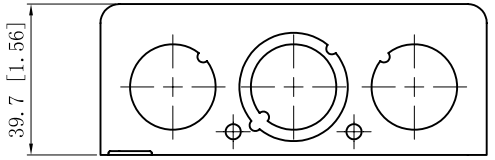


| SIDES | BOTTOM |
|----------------------------------------|------------------|
| 8 1/2" KNOCKOUTS | 3 1/2" KNOCKOUTS |
| 4 1/2"-3/4" KNOCKOUTS | 2 3/4" KNOCKOUTS |
| 2 PCS 8-32×1/2 Screws Installed | |
| Material: Steel-0.0625"-G60 Galvanized | |



CUTAWAY VIEW A-A

This data sheet is for reference only. GARVIN INDUSTRIES reserves the right to make changes to the design without prior notice.

| |
|-----------------------|
| DESCRIPTION |
| |
| TRADE REFERENCE TERMS |
| |

| |
|------------------|
| STANDARD PACKING |
| 50 PCS |

| | | |
|----------------------------------------|----------------------|----------|
| GARVIN INDUSTRIES | | |
| TITLE 4" SQUARE BOXES (1-1/2" DEEP) | | |
| SIZE A4 | DWG NO. 52151-SDR | REV B |
| DATA SHEET | | |