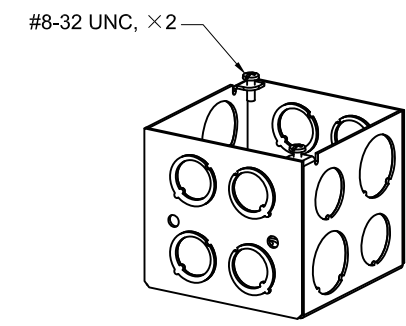
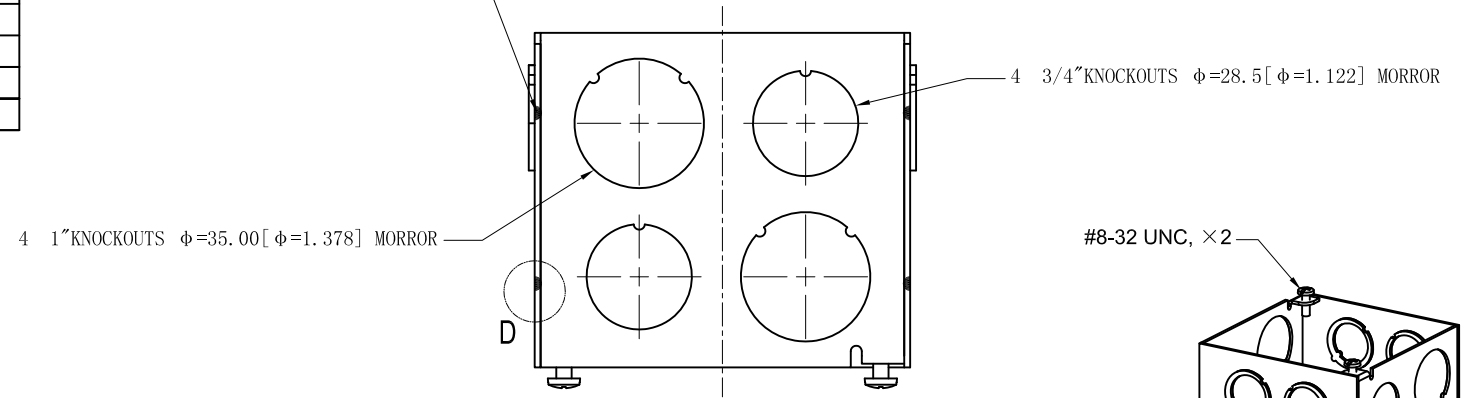
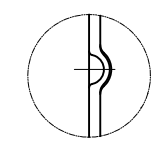
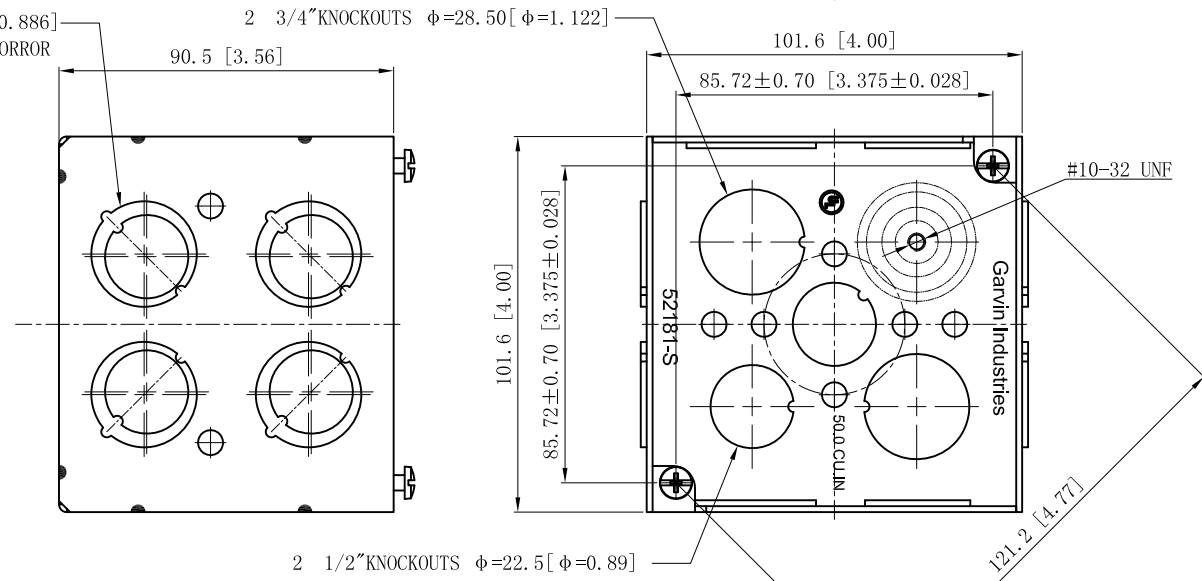


SIDES	BOTTOM
4 3/4" KNOCKOUTS	2 1/2" KNOCKOUTS
4 1" KNOCKOUTS	2 3/4" KNOCKOUTS
8 1/2"-3/4" MOON KNOCKOUTS	1 Ground Hump
2 PCS #8-32×1/2 Screws Installed	
Material: Steel-0.0625"-C.R.S, red powder coating	

12 PLACES SPOT WELDING



8 1/2"-3/4" KNOCKOUTS  $\phi=22.50$  [ $\phi=0.886$ ]  
 $\phi=28.50$  [ $\phi=1.122$ ] MORROR



This data sheet is for reference only .GARVIN INDUSTRIES reserves the right to make changes to the design without prior notice.

DESCRIPTION
TRADE REFERENCE TERMS

STANDARD PACKING	GARVIN INDUSTRIES		
	TITLE 4" SQUARE BOXES 3-1/2" DEEP		
10 PCS	SIZE	DWG NO.	REV
	A4	52181-RED	B
DATA SHEET			
www.garvinindustries.com			