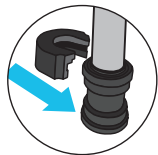
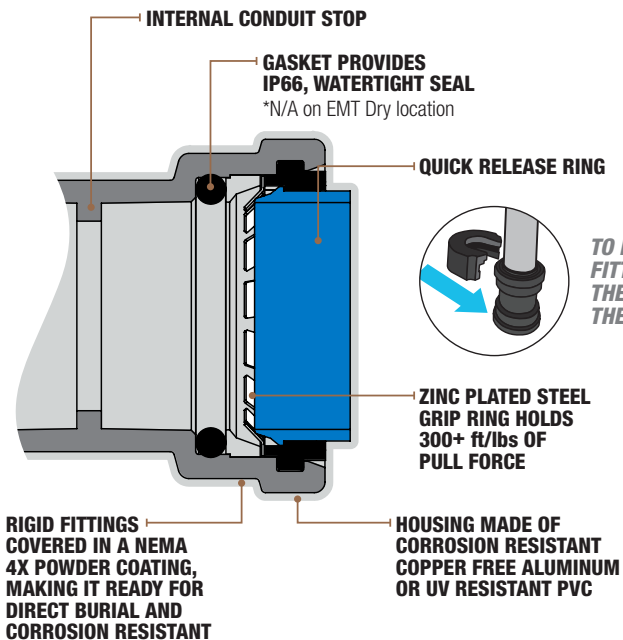


RIGID COUPLINGS

Southwire® SIMPush™ Rigid couplings are used in dry or wet locations to join two ends of UL-approved threaded or non-threaded, RMC, IMC, GRC, ARC and rigid stainless-steel conduit. Removable and reusable with SIMPush™ removal tool.

FEATURES:

- Corrosion-resistant copper-free diecast aluminum construction
- Raintight to prevent water from getting into conduit, box, or enclosure
- IP66 – Dust tight and protects against powerful jetting water
- Concrete-tight
- Provides continuous ground
- Powder-coated externally for corrosion resistance
- Internally coated with lubricating grease
- Tested to 100 removal cycles for reuse
- Locking teeth are constructed from zinc-plated steel
- Works with threaded or unthreaded conduit



TO REMOVE THE SIMPush™ FITTING, SIMPLY SLIDE THE REMOVAL TOOL ONTO THE COLLAR AND PULL

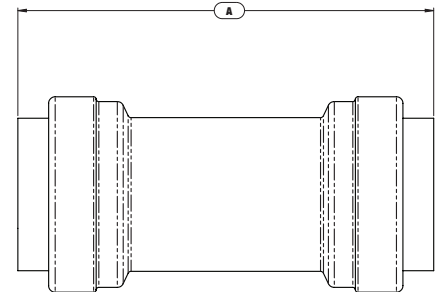
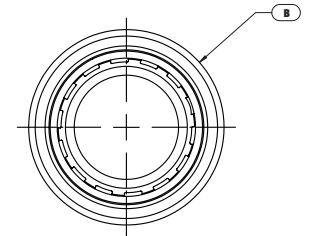
1/2" – 2"



CERTIFICATIONS/RATINGS:
NEMA FB RATED (4X)
E-FILE #: E474447



RMCS050, RMCS075, RMCS100,
RMCS125, RMCS150, RMCS200



Stock #	Model #	Trade Size	Quantity Per Box	H (in.) A	W (in.) B	L (in.) B	Associated Removal Tool Model #	Removal Tool Included
CONTRACTOR PACK								
65077302	R-CP-050WT	1/2"	30	3.14	1.299	1.299	R-RT-P1	YES
65077402	R-CP-075WT	3/4"	20	3.19	1.499	1.499	R-RT-P1	YES
65077502	R-CP-100WT	1"	18	3.57	1.795	1.795	R-RT-P2	YES
65077602	R-CP-125WT	1-1/4"	12	4.078	2.286	2.286	R-RT-P2	YES
65077702	R-CP-150WT	1-1/2"	9	4.158	2.56	2.56	R-RT-P3	YES
65077802	R-CP-200WT	2"	4	4.408	3.06	3.06	R-RT-P3	YES

Project Name:

Contractor:

Address:

**BUILT FOR DURABILITY.
BUILT FOR RELIABILITY.
BUILT FOR WORK.™**

1-855-798-6657 | SOUTHWIRETOOLS.COM

©2020 Southwire Company, LLC. All rights reserved.
*Registered Trademark & ™ Trademark of Southwire Company, LLC.