

Items:
 RDL/3RND/8/5CTS, RDL/4GIM/9/5CTS-46
 RDL/4GIM/11/5CTS-46, RDL/4GIM/15/5CTS-46
 RDL/4SQ/9/5CTS-46, RDL/6GIM/16/5CTS-46
 RDL/6SQ/11/5CTS-46, RDL/6SQ/15/5CTS-46



Items:
 RDL/3RND/8/5CTS, RDL/4GIM/9/5CTS-46
 RDL/4GIM/11/5CTS-46, RDL/4GIM/15/5CTS-46
 RDL/4SQ/9/5CTS-46, RDL/6GIM/16/5CTS-46
 RDL/6SQ/11/5CTS-46, RDL/6SQ/15/5CTS-46



CCT SELECTABLE SLIM DOWNLIGHTS- 3" ROUND, 4" / 6" GIMBAL and 4" / 6" SQUARE INSTALLATION INSTRUCTIONS

CCT SELECTABLE SLIM DOWNLIGHTS- 3" ROUND, 4" / 6" GIMBAL and 4" / 6" SQUARE INSTALLATION INSTRUCTIONS

READ AND FOLLOW ALL SAFETY INSTRUCTIONS!

WARNING

- Make all electrical and ground connections in accordance with local codes or the National Electrical Code. If you are not familiar with these codes and requirements, consult a qualified electrician. This professional should be familiar with the construction and operation of this product and hazards involved. Failure to do so may result in serious personal injury.
- To reduce the risk of fire, electric shock, personal injury, or property damage, please read and follow all safety instructions. If you do not understand these instructions or if any additional information is required, contact your local Topaz representative. Retain these instructions for maintenance reference.
- Make certain electrical supply is OFF before energizing fixture.
- Do not exceed the allowed supply voltage marked on the luminaire label information.
- Disconnect power at the circuit breaker panel before any installation.

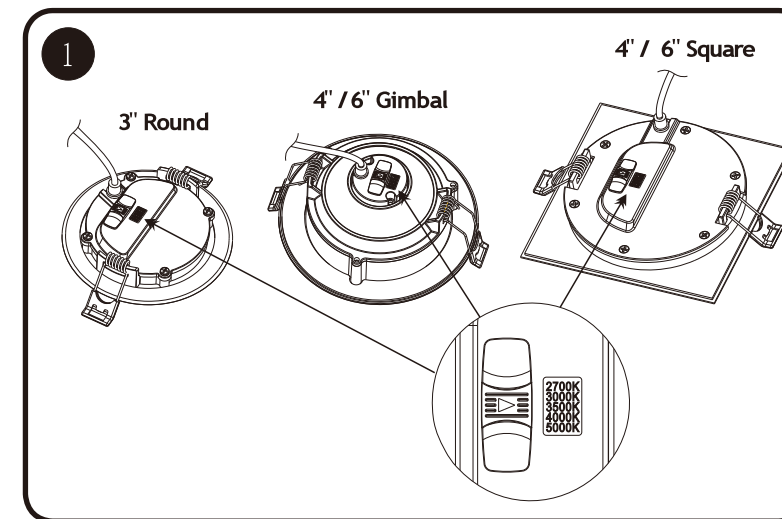
CAUTION

- Do not expose wires to any sharp objects such as sheet metal to prevent wiring damage or abrasion.
- While the light is on, please avoid direct eye exposure.
- Combustible materials should be kept away from fixture/lens.
- Do not make or alter any open holes in any enclosure or any electrical component during installation.
- Do not use when the enclosure is damaged or broken in any way.
- This device is not intended to be used with any emergency lighting fixture.

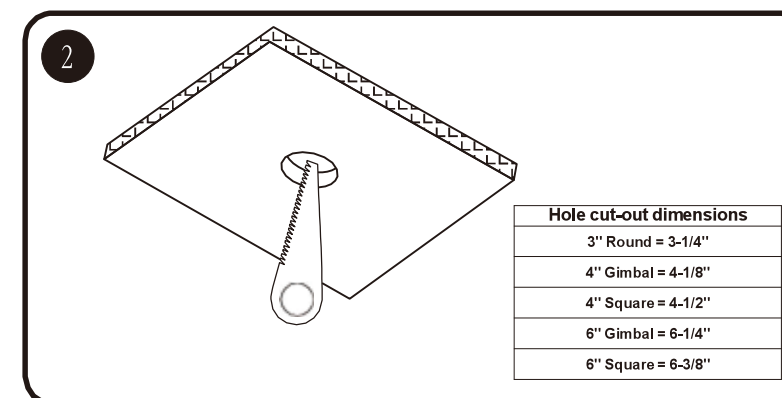
ELECTRICAL PARAMETERS

Model No.	Input Voltage	Frequency	Wattage	Rated Current
RDL/3RND/8/5CTS	120V	60Hz	8W	90mA
RDL/4GIM/9/5CTS-46	120V	60Hz	9W	90mA
RDL/4GIM/11/5CTS-46	120V	60Hz	11W	110mA
RDL/4GIM/15/5CTS-46	120V	60Hz	15W	140mA
RDL/6GIM/16/5CTS-46	120V	60Hz	16W	140mA
RDL/4SQ/9/5CTS-46	120V	60Hz	9W	90mA
RDL/6SQ/11/5CTS-46	120V	60Hz	11W	110mA
RDL/6SQ/15/5CTS-46	120V	60Hz	15W	140mA

INSTALLATION STEPS



STEP 1: Choose your favorite correlated color temperature (CCT) from 5 options using the switch located on the back of the downlight. See Figure 1



STEP 2: Place hole cut-out size template over the desired location and sketch the hole on the ceiling by tracing the outer ring with a pen or pencil (not included).
NOTE: Before cutting, ensure that the hole does not impinge on joists, pipe work, cable, or other building services. See Figure 2

Items:
 RDL/3RND/8/5CTS, RDL/4GIM/9/5CTS-46
 RDL/4GIM/11/5CTS-46, RDL/4GIM/15/5CTS-46
 RDL/4SQ/9/5CTS-46, RDL/6GIM/16/5CTS-46
 RDL/6SQ/11/5CTS-46, RDL/6SQ/15/5CTS-46

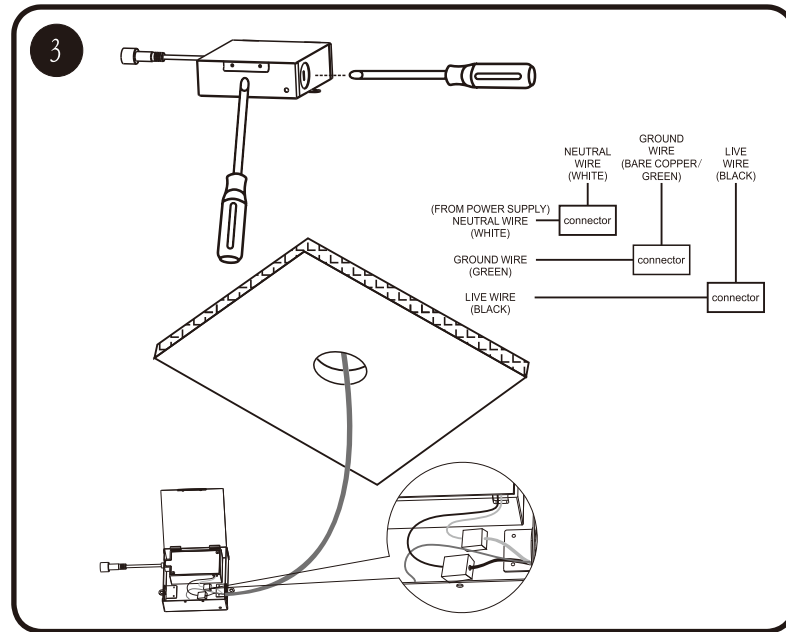


Items:
 RDL/3RND/8/5CTS, RDL/4GIM/9/5CTS-46
 RDL/4GIM/11/5CTS-46, RDL/4GIM/15/5CTS-46
 RDL/4SQ/9/5CTS-46, RDL/6GIM/16/5CTS-46
 RDL/6SQ/11/5CTS-46, RDL/6SQ/15/5CTS-46

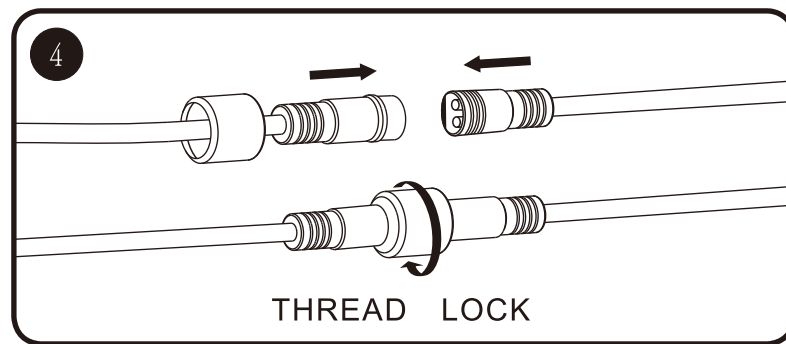


CCT SELECTABLE SLIM DOWNLIGHTS- 3" ROUND, 4" / 6" GIMBAL and 4" / 6" SQUARE INSTALLATION INSTRUCTIONS

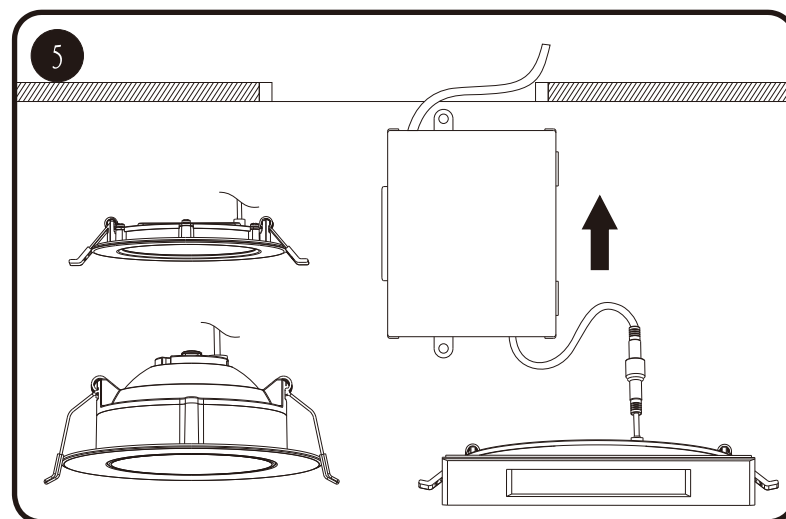
CCT SELECTABLE SLIM DOWNLIGHTS- 3" ROUND, 4" / 6" GIMBAL and 4" / 6" SQUARE INSTALLATION INSTRUCTIONS



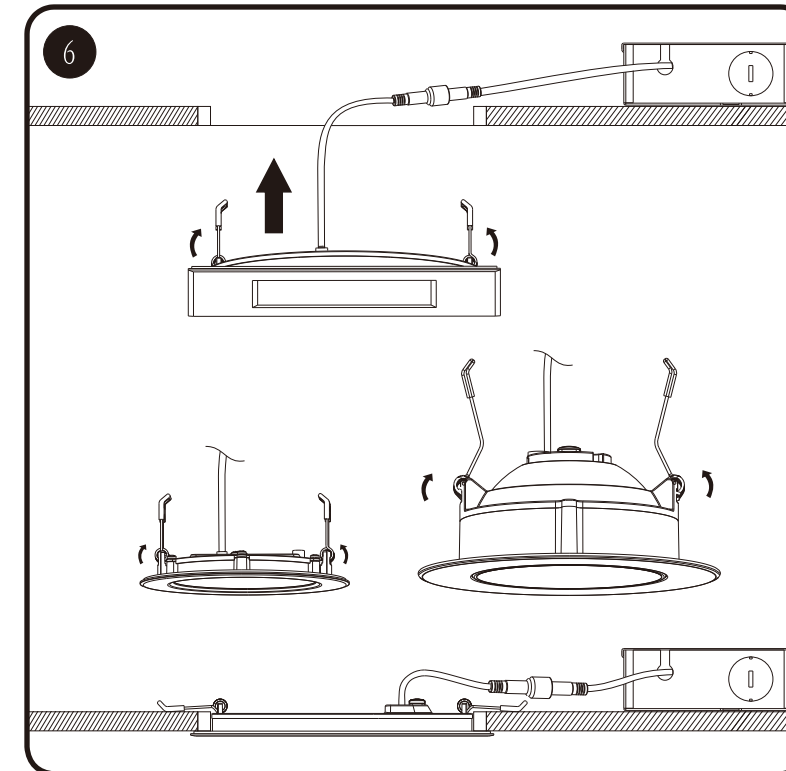
STEP 3:
 Open the cover of the remote driver box. Push, twist and remove one or more knockouts on the side plate using a flat bladed screwdriver. Discard the knockout(s). **See Figure 3**
 Open the driver cover and locate power supply leads from remote driver box and connect to power source using connectors (provided). Feed the supply wire into the knockout hole and make all the connections inside the power supply box using wire connectors.
 Connect black wire to live wire, white wire to neutral wire, and green wire with ground (as shown) and secure using wire connectors.
 After connecting the wires correctly, place the wires inside the power supply box and close the box properly.



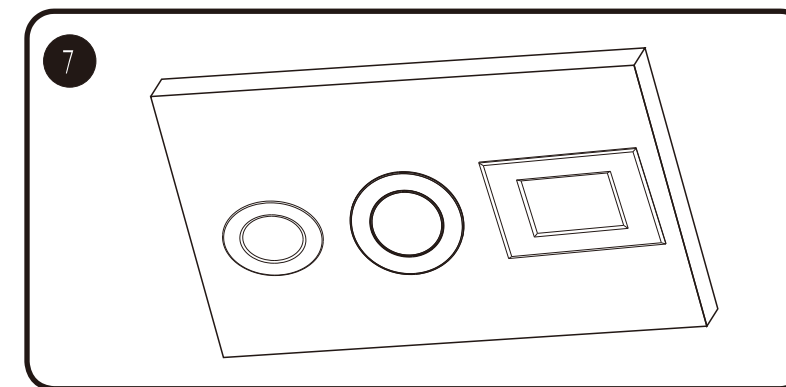
STEP 4:
 Connect the remote driver box to the slim downlight by tightening the thread lock nut connector by hand. Match both male and female parts of the connector between the driver and fixture cable. They should match. **See Figure 4**



STEP 5:
 Place remote driver box through the cut-out hole. **See Figure 5**
 When attaching remote driver to a stud/ceiling, use round head screw (not provided) and keyhole fittings to secure and position driver accordingly.



STEP 6:
 Pull and hold the spring clips up against the fixture and gently guide into the ceiling until the clips snap into place. The fixture should be flush with the ceiling. **See Figure 6**



STEP 7:
 Turn the power back on. **See Figure 7**

Failure to follow any of these instructions could void product warranties. For a copy of the product warranty, please visit www.topaz-usa.com/led-fixtures-warranty

****NOTE: THESE INSTRUCTIONS DO NOT ADDRESS ALL PERMUTATIONS THAT MAY EXIST IN INSTALLATION, MAINTENANCE, AND OPERATING ENVIRONMENT.**