



Southwire™

DUPLEX & TOGGLE SWITCH COVER

DOUBLE

FEATURES

- Spring loaded lid; weather seal gasket
- Weatherproof cover when closed
- Cover must be matched to the capacity size of the receptacle

APPLICATIONS

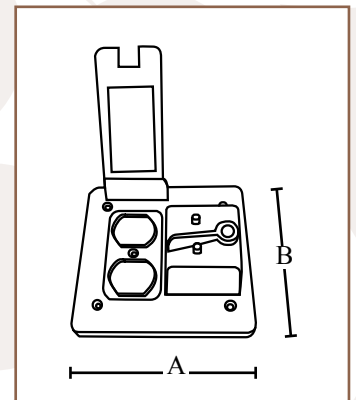
- Fits a double gang FS type box and covers a standard ground fault interrupter receptacle
- Covers 1 single or double pole 115 volt switch & 1 standard 115 volt duplex receptacle

STANDARD MATERIAL

- PVC



1325



PART #	MASTER QTY.	WEIGHT/ CASE (LBS.)	A	B
1325	10	3	4.5625"	4.5625"

Rev. 0, 06/23

**BUILT FOR DURABILITY.
BUILT FOR RELIABILITY.
BUILT FOR WORK.™**

1-855-798-6657 | SOUTHWIRE.COM

©2023 Southwire Company, LLC. All rights reserved.
*Registered Trademark & ™Trademark of Southwire Company, LLC.