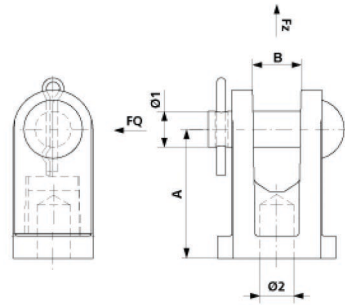


Clevis complete, with thread 5/8"

Item number E3249-02



Dimensions

B: 21 mm
Ø1: 16 mm
A: 57.5 mm
Ø2: 5/8"

Material and weight

Weight: 0.260 kg
Material: Al/SST

Loads

Breaking load F across: 4 kN
Breaking load F on traction: 38 kN

Specification

Thread depth: 18 mm

Comments

- With pins 16 x 50 and cotter pin SST
- Use: Multifunction for various ARCAS parts



Southwire™



A COLAS RAIL COMPANY

Contact Us: Transit@southwire.com