

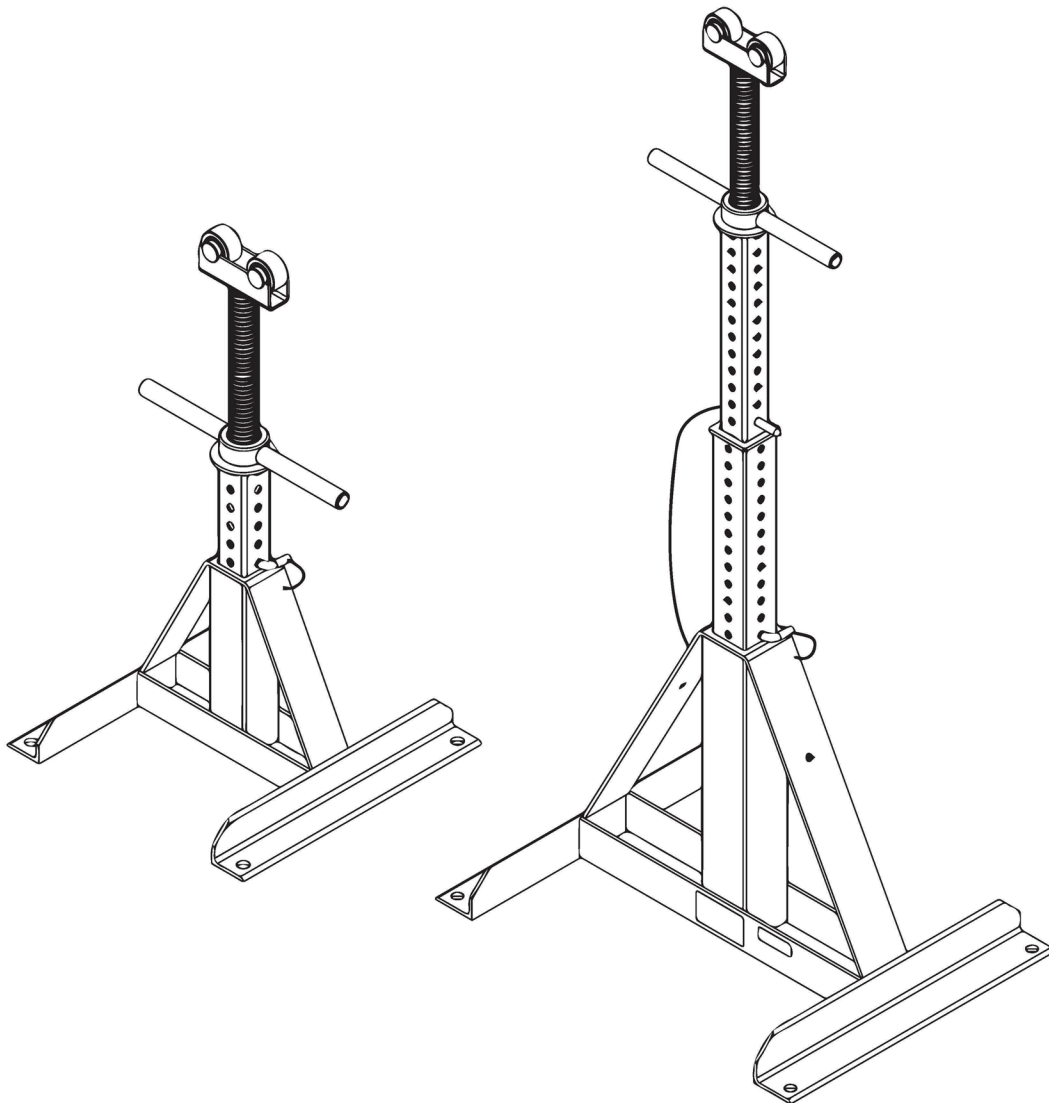


# Southwire™

TOOLS & EQUIPMENT

Operating Instructions

## ***Reel Mac Reel Jack Reel Stands Model RM70 and RM60***



***Read and understand all of the instructions and safety information  
in this manual before operating or servicing this tool.***

***FAILURE TO OBSERVE THESE WARNINGS CAN RESULT IN SEVERE INJURY OR DEATH.***



# BEFORE OPERATING, READ AND UNDERSTAND ALL OF THE INSTRUCTIONS AND SAFETY INFORMATION IN THIS MANUAL








## TABLE OF CONTENTS

Important Safety Information.....	1 - 3
Description of Operation.....	4
Operating Instructions.....	4 - 6
Maintenance.....	6
Specifications.....	7
Warranty.....	7 - 8

## SAFETY FIRST

Safety is essential in the use and maintenance of Southwire Contractor Equipment. This instruction manual and any markings on the tool provide information for avoiding hazards and unsafe practices related to the use of this tool. Observe all of the safety information provided.

## SAFETY ALERT SYMBOLS

 <p><b>SAFETY ALERT SYMBOLS</b></p> <p>These symbols are used to call attention to related hazards or unsafe practices related that could result in injury or property damage. The three safety words defined below indicate the severity of the hazard. The message after the signal word provides information for preventing or avoiding the hazard.</p> <p><b>⚠ DANGER</b></p> <p>Immediate hazards which, if not avoided, WILL result in severe injury or death.</p> <p><b>⚠ WARNING</b></p> <p>Hazards which, if not avoided, COULD result in severe injury or death.</p> <p><b>⚠ CAUTION</b></p> <p>Hazards or unsafe practices which, if not avoided, MAY result in injury or property damage.</p>	 <b>WARNING</b>   <p>Read and understand all of the instructions and safety information in this manual before operating or servicing this tool. Failure to observe this warning could result in severe injury or death.</p>
<p><b>⚠ WARNING</b></p> <p>Personal safety hazards</p>	 <ul style="list-style-type: none"> <li>• Only qualified persons should use the Southwire Reel Mac Reel Jack Reel Stands</li> <li>• Wear eye protection, gloves and a hard hat when using this tool</li> <li>• Do not use tool while tired or under the influence of drugs, alcohol, or medication</li> <li>• Keep body parts and loose clothing away from moving parts</li> <li>• Never exceed 2500 lbs (1136kg) per individual Screw Jax</li> <li>• Always follow appropriate safety procedures</li> </ul>

**FAILURE TO OBSERVE THESE WARNINGS CAN RESULT IN SEVERE INJURY OR DEATH**

**⚠️ WARNING:** Electrical Shock Hazards

- This is not an insulated tool, contact with live circuits could result in severe injury or death.

**⚠️ CAUTION:** Do not add extensions (cheaters) to the handle. Using excessive force may result in injury or damage to the tool. If excessive force is required, check and verify proper set up instructions.

**⚠️ CAUTION:** Read and understand all of the instructions and safety information in this manual before operating or servicing this tool.

**Failure to observe this precaution may result in injury or property damage.**

**⚠️ CAUTION:** Keep hands and feet clear when loading and unloading cable reels.

- Cable reels must be chocked at all contact points with the ground to prevent movement during setup.

**FAILURE TO OBSERVE THESE WARNINGS CAN RESULT IN SEVERE INJURY OR DEATH**

## ***IMPORTANT SAFETY INFORMATION***

---

**⚠ CAUTION:** Make sure bystanders are clear of the work area when loading, unloading or dispensing cable. Nearby personnel can be injured if a cable reel falls off stands.

- Do not use the reel roller for cable with damaged reels. Damaged reels may not roll freely and may be pulled off the reel roller.
- Cable reels must be chocked at all contact points with the ground to prevent movement during setup.
- The proper Southwire Axle (SA61/SA71/PJA-01/PJA-02) is required for safe operation of this tool. Do not use anything else— substitutes may not support the cable reel or may fall off the reel stand.
- Never attach casters or wheels to a Southwire Reel Mac Reel Jack Reel Stand
- Use only on a hard, flat, level surface.
- Do not exceed the rated capacity of this tool.

## **FAILURE TO OBSERVE THESE WARNINGS CAN RESULT IN SEVERE INJURY OR DEATH**

**⚠ CAUTION:** Use this tool for manufacturer's intended use only. Use other than that which is described in this manual may result in injury or property damage.

NOTE: Keep all decals clean and legible, and replace when necessary.

## ***PURPOSE OF THIS MANUAL***

---

This manual is intended to familiarize all product users with the safe operation and maintenance procedures for the following Southwire Tools and Equipment: Reel Mac Reel Jack Reel Stands

Keep this manual available to all personnel.

Replacement manuals are available upon request at no charge at [www.southwiretools.com](http://www.southwiretools.com).

## **DESCRIPTION OF OPERATION**

---

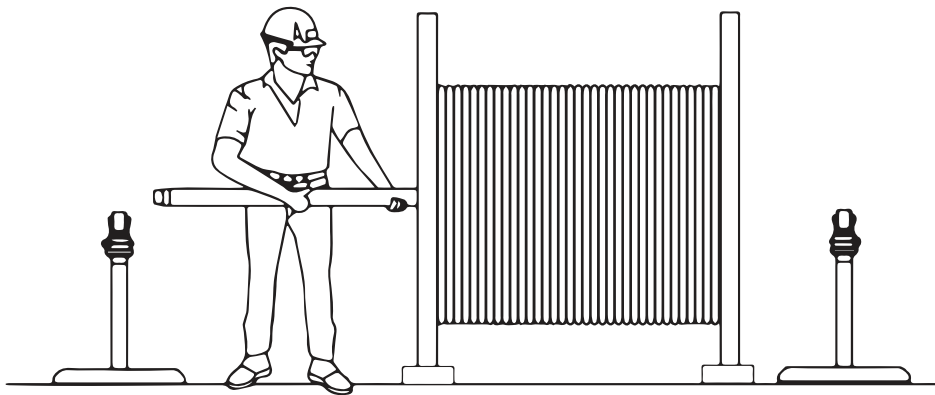
The Southwire™ Reel Mac Reel Jack Reel Stands are designed to support reels from 13” to 28” and 22” to 54” respectively. Each Reel Mac Reel Jack Reel Stands has an individual weight capacity of 2500 lbs (1136kg). Each alike set of Reel Mac Reel Jack Reel Stands have a combined rating of 5000 lbs (2273kg).

## **OPERATION**

---

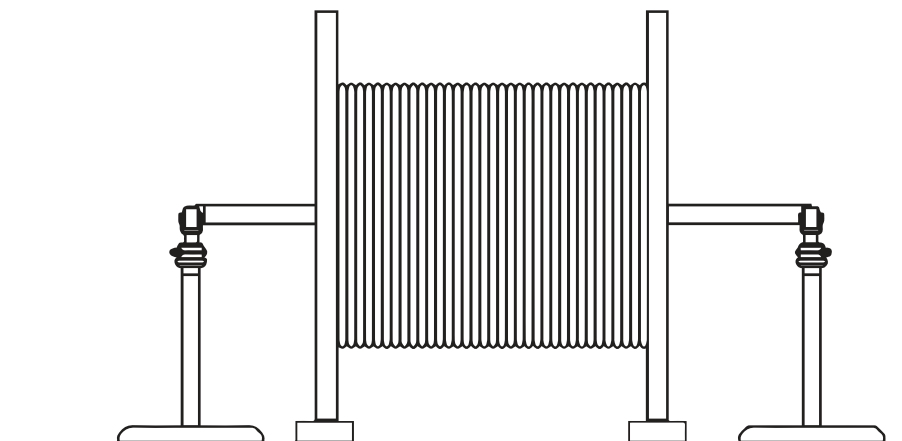
1. Two alike Reel Mac Reel Jack Reel Stands and one Southwire Axle are required for a complete setup. (The RM70 and RM60 Reel Mac Reel Jack Reel Stands must be used with only the SA61, SA71, PJA-01, or PJA-02 Southwire™ Axles).
2. Make sure the cable reel is chocked to prevent movement during setup.
3. Position the axle through the center holes of the cable reel. (Fig. 1)

**Fig. 1**



4. Position reel stands under each end of the axle so the reel stand rollers are aligned within and in contact with the axle grooves. (Fig. 2)

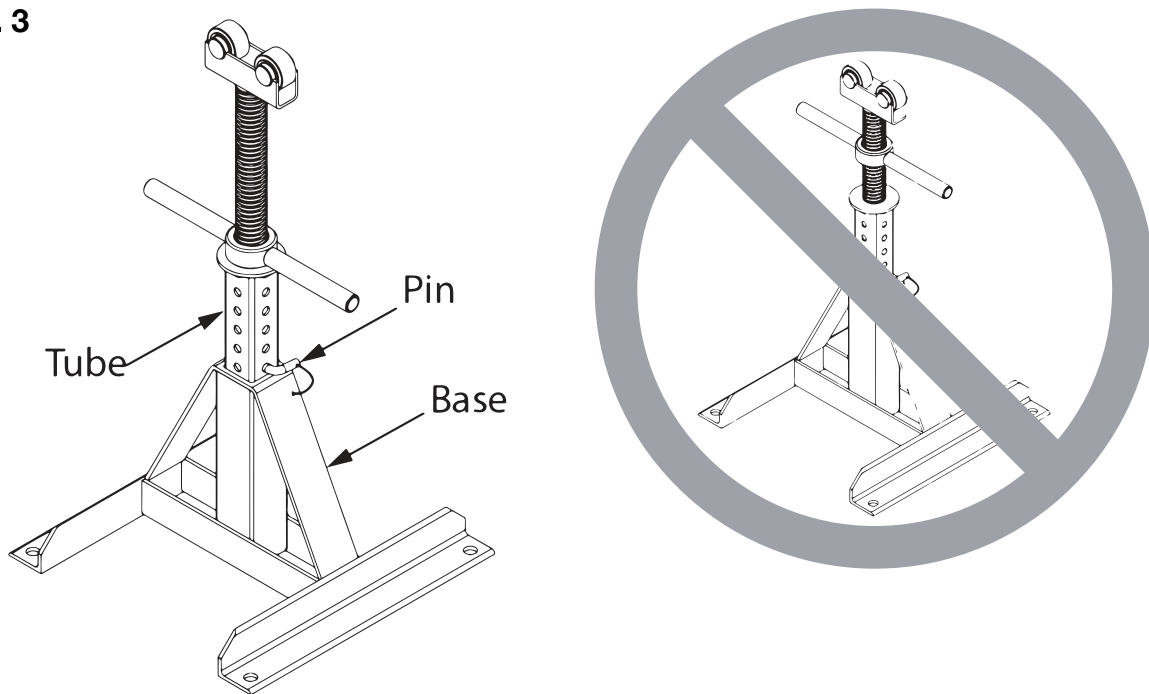
**Fig. 2**



## OPERATION cont.

**NOTE:** The Southwire Reel Mac Reel Jack Reel Stands may require use of the quick extend feature. Manually lift the tele-scoping square tubing to desired height and use the pin provided by inserting through both sides of the square tubing. Ensure this step is done prior to placing a reel on the Reel Mac Reel Jack Reel Stands. The pin must rest on top of the base to prevent downward movement. (Fig. 3)

**Fig. 3**



**⚠ CAUTION:** Never support a load with handle positioned as shown above in the right hand image. Handle must always contact washer as shown in Figure 3's left hand image.

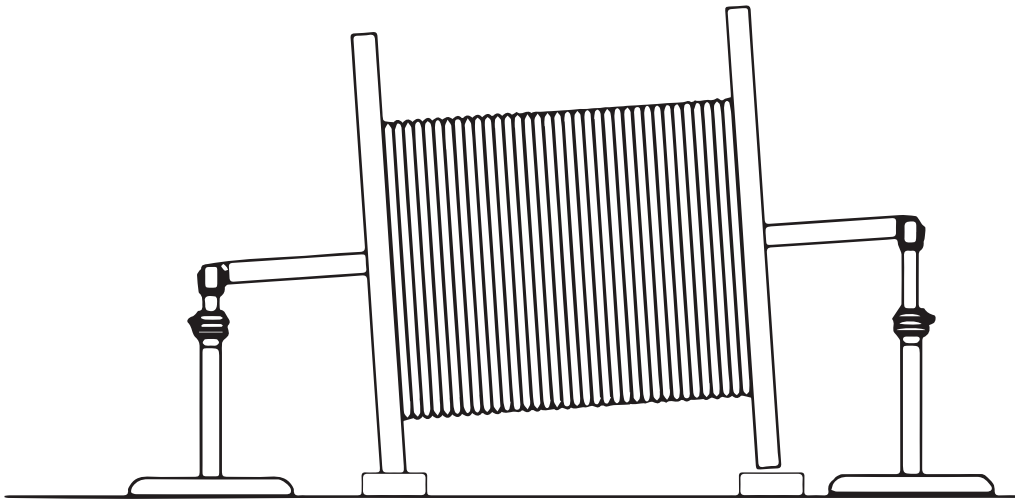
**Failure to observe this precaution may result in injury or property damage**

## **OPERATION cont.**

---

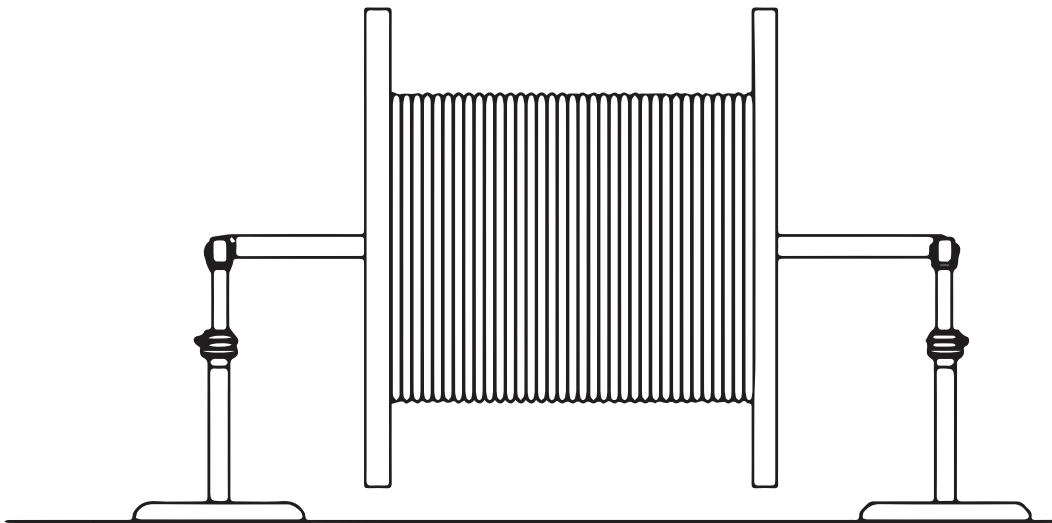
5. Turn the reel stand handle clockwise to extend one reel stand until the cable reel clears the ground. (Fig. 4)

**Fig. 4**



6. Turn the other reel stand handle until the spindle is level and the cable reel rotates freely. (Fig. 5)

**Fig. 5**



7. When finished dispensing cable, the cable reel should be lowered in the reverse manner as described above.

## **MAINTENANCE**

---

1. Keep tool clean and dry
2. Apply a thin coat of grease to the threaded shaft and a moderate amount of grease between the thrust washer and underside of the handle. For best results, apply grease before each use.

## ***SPECIFICATIONS***

---

### **MODEL# RM70**

- Stock # 780942
- Depth –21”
- Width – 24”
- Height – 54” Max Height
- Weight – 42 lbs
- Capacity – 2500 lbs (1136kg)

### **MODEL# RM60**

- Stock # 780941
- Depth –15”
- Width – 15”
- Height – 28” Max Height
- Weight – 22 lbs
- Capacity – 2500 lbs (1136kg)

## **WARRANTY ON SUMNER EQUIPMENT**

---

### **What Does This Warranty Cover?**

#### **Limited Lifetime Warranty on Sumner Equipment**

Under Sumner’s Equipment Limited Lifetime Warranty, Sumner Manufacturing Co., LLC warrants that all Sumner Equipment will be free from manufacturer defects for a Limited Lifetime except for moving parts deemed consumables from the date of the original end user’s purchase. Products deemed as consumable products, components and parts such as steel cables, rollers, bearings, wheels, lift mast sections components are excluded from this Limited Lifetime Warranty and are subject to One -Year Limited Warranty terms. Sumner electrical components are excluded from this Limited Lifetime Warranty and are subject to One -Year Limited Warranty terms. Under this Limited Lifetime Warranty, the following are also excluded, and Sumner will have no liability for any of the following: normal wear and tear resulting from product use and damage arising out of misuse, abuse, modification, and improper product maintenance. This warranty also does not cover Sumner’s Equipment products that have been modified by any party other than Sumner or its authorized third-party designee. This Limited Lifetime Warranty is not transferrable to or enforceable by any person other than the product’s original end user.

#### **Three-Year Limited Warranty on Pallet Jacks and Hydraulic Tools**

Under Sumner’s 3-Year Limited Warranty, Sumner Manufacturing Co., LLC warrants that all Sumner Pallet Jacks and Hydraulic Tools will be free from manufacturer defects for a period of three (3) years from the date of the original end user’s purchase. Under this Three-Year Limited Warranty for Pallet Jacks and Hydraulic Tools, the following are excluded and Sumner Manufacturing Co., LLC will have no liability for any of the following: normal wear and tear resulting from product use and damage arising out of misuse, abuse, modification, and improper product maintenance. This warranty also does not cover Pallet Jacks and Hydraulic Tools that have been modified by any party other than Sumner Manufacturing Co., LLC or its authorized third-party designee. This 3-Year Limited Warranty is not transferrable to or enforceable by any person other than the product’s original end user.

#### **One-Year Limited Warranty on All Products**

Under Sumner’s 1-Year Limited Warranty, Sumner Manufacturing Co., LLC warrants that all products will be free from manufacturer defects for a period of one-year from the date of the original end user’s purchase. Under this 1-Year Limited Warranty, Sumner Manufacturing Co., LLC will have no liability for any of the following: normal wear and tear resulting from product use and damage arising out of misuse, abuse, modification, and improper product maintenance. This warranty also does not cover Sumner Equipment that has been modified by any party other than Sumner Manufacturing Co., LLC or its authorized third-party designee. This 1-Year Limited Warranty is not transferable to or enforceable by any person other than the product’s original end user.

#### **Exclusion of Incidental, Consequential, Indirect, Special and Punitive Damages**

**SUMNER MANUFACTURING CO. LLC MAKES NO WARRANTY THAT SUMNER MANUFACTURING CO. LLC PRODUCTS WILL BE MERCHANTABLE OR FIT FOR ANY PARTICULAR PURPOSE. SUMNER MAKES NO OTHER WARRANTY, EXPRESSED OR IMPLIED, OTHER THAN THE RELEVANT WARRANTY SPECIFICALLY SET FORTH IN THIS WARRANTY SECTION. SOUTHWIRE WILL NOT BE LIABLE FOR ANY INCIDENTAL, CONSEQUENTIAL, INDIRECT, SPECIAL, OR PUNITIVE DAMAGES FOR ANY BREACH OF THIS LIMITED LIFETIME WARRANTY.**



## **Warranty Claim Information/How Do You Get Service?**

---

Some states do not allow the exclusion or limitation of incidental or consequential damages, so the above limitation or exclusion may not apply to you.

### **Warranty Claim Information/How Do You Get Service?**

For all warranty, customer service, and product return authorizations and inquiries, please contact Sumner at:

Sumner Manufacturing Co., LLC  
7514 Alabonson Road  
Houston, Texas 77088  
**Phone Number: 1.281.999.6900**

Sumner – Canada  
75 Saltman Drive, Unit 5  
Cambridge, Ontario N3H 4R7  
**Phone Number: 1.519.651.5300**

Sumner – U.K.  
Unit 3 Kepton Road  
Keytec 7 Business Park  
Pershore Worcestershire  
WR10 2TA, UK  
**Phone Number: +44 (0) 1386 556278**

Sumner – Netherlands  
Handelsweg 26  
3881LS Putten  
The Netherlands  
**Phone Number: +31 (0) 85 489 0284**

1. All warranty claims must be approved by Sumner's Warranty Department prior to return of product. If Sumner determines that a product is defective, Sumner will, at its option, repair or replace defective products or defective product components, free of charge.
2. Upon approval, Sumner will issue a Product Return Authorization Form which will include instructions on how and where to return the product. **The product serial number and the original date of delivery must be set forth on the Product Return Authorization Form.**
3. Sumner will cover standard freight charges (Courier Ground rate) incurred in connection with products that Sumner ultimately determines to be defective.
4. All defective components and defective products that Sumner replaces under these Warranties will become Sumner's property and will be retained by Sumner.

### **Repair Your Product When it is Out of Warranty**

Sumner is happy to provide information about where a purchaser can send a product for repair at consumers' own expense, please contact 1.281.999.6900 or visit [www.sumner.com](http://www.sumner.com) for more information about servicing for Sumner Products.



# Southwire™

---

## TOOLS & EQUIPMENT

***southwiretools.com***



**1-855-SW-TOOLS**  
Toll Free Technical Help

**Contents Made in USA**

**Product distributed by Southwire Company, LLC  
One Southwire Drive, Carrollton, GA 30119**

**©2016 Southwire Company, LLC. All rights reserved.**

**08/20  
RM70, RM60 Manual**



*We've got it*  
**MADE IN AMERICA™**