

EMT PULL ELBOWS

1/2" – 1-1/4"

Southwire[®] SIMPush[™] EMT pull elbows are used for joining 2 ends of UL-approved thin wall EMT conduit to form a 90° bend.

FEATURES:

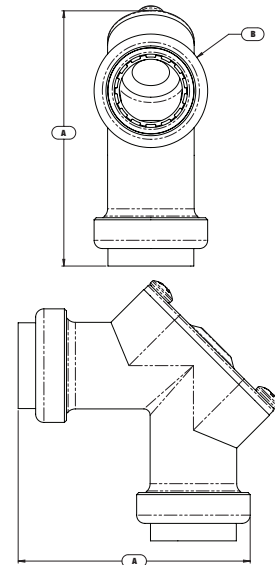
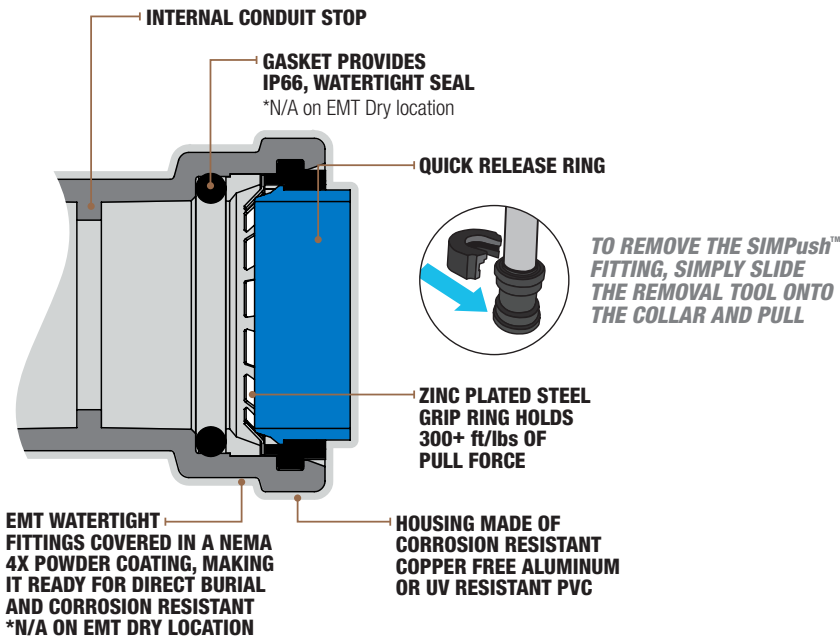
- Corrosion-resistant copper-free diecast aluminum construction
- Provides continuous ground
- Internally coated with lubricating grease
- Tested to 100 removal cycles for reuse
- Locking teeth are constructed from zinc-plated steel
- Body door is domed aluminum construction with zinc-plated steel screws



CERTIFICATIONS/RATINGS:
E-FILE #: E474447



DFTPE050, DFTPE075,
DFTPE100, DFTPE125



Stock #	Model #	Trade Size	Quantity Per Box	H (in.) A	W (in.) A	L (in.) B	Associated Removal Tool Model #	Removal Tool Included
CONTRACTOR PACK								
65071702	E-PE-050WT	1/2"	25	2.534	2.535	1.105	E-RT-1P	YES
65071802	E-PE-075WT	3/4"	15	2.981	2.981	1.282	E-RT-1P	YES
65071902	E-PE-100WT	1"	7	3.633	3.633	1.6	E-RT-P2	YES
65072002	E-PE-125WT	1-1/4"	6	4.323	4.323	2.09	E-RT-P2	YES

Project Name:

Contractor:

Address:

**BUILT FOR DURABILITY.
BUILT FOR RELIABILITY.
BUILT FOR WORK.™**

1-855-798-6657 | SOUTHWIRETOOLS.COM

©2020 Southwire Company, LLC. All rights reserved.
*Registered Trademark & ™Trademark of Southwire Company, LLC.