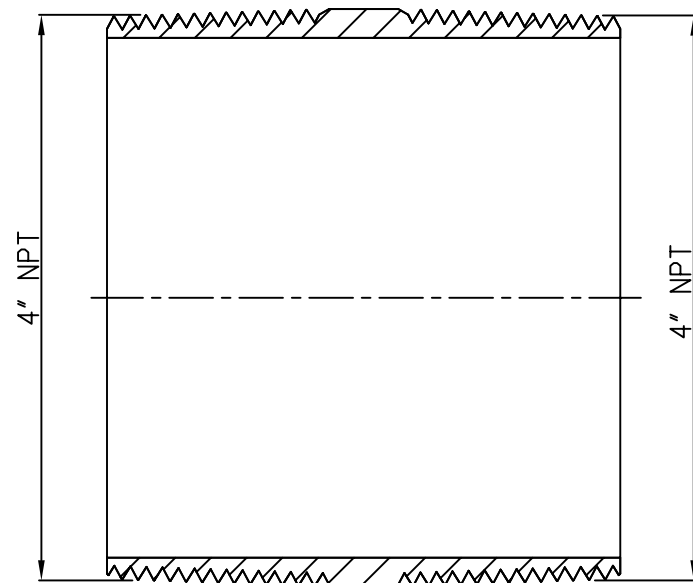
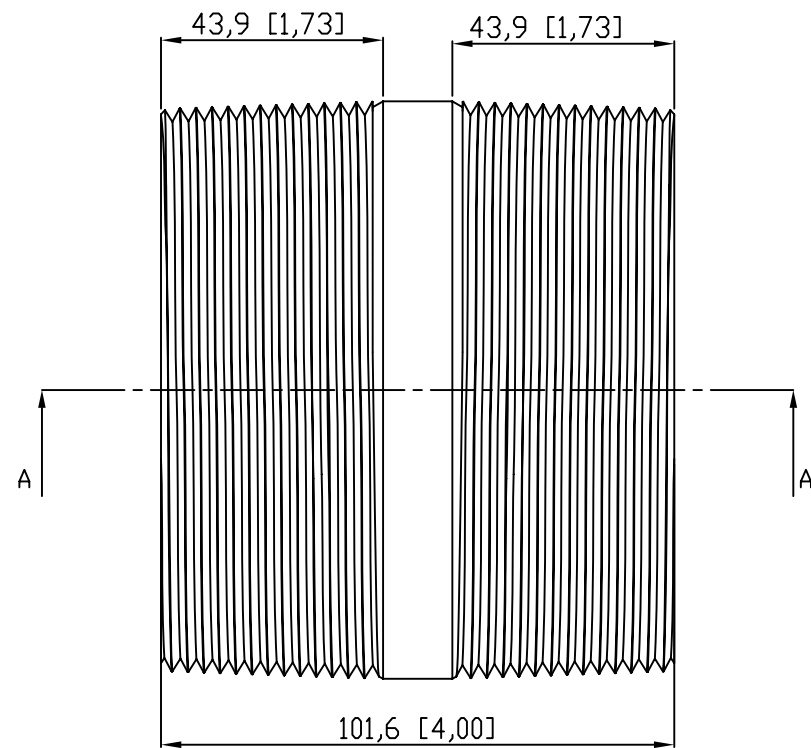
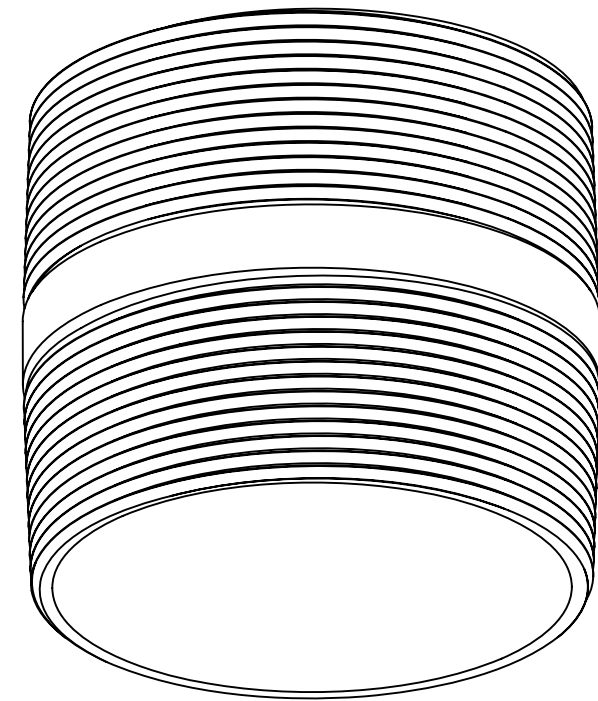


| | |
|--|--------|
| SIDES | BOTTOM |
| | |
| | |
| | |
| Material: Steel-(C1008-C1018) Galvanized | |



VIEW A-A



This data sheet is for reference only .GARVIN INDUSTRIES reserves the right to make changes to the design without prior notice.

| |
|-----------------------|
| DESCRIPTION |
| |
| |
| TRADE REFERENCE TERMS |
| |

STANDARD
PACKING

GARVIN INDUSTRIES

TITLE
RIGID COND NIPPLE

| | | |
|------------|-------------------------|----------|
| SIZE A4 | DWG NO. DS-RN-400400 | REV A |
|------------|-------------------------|----------|