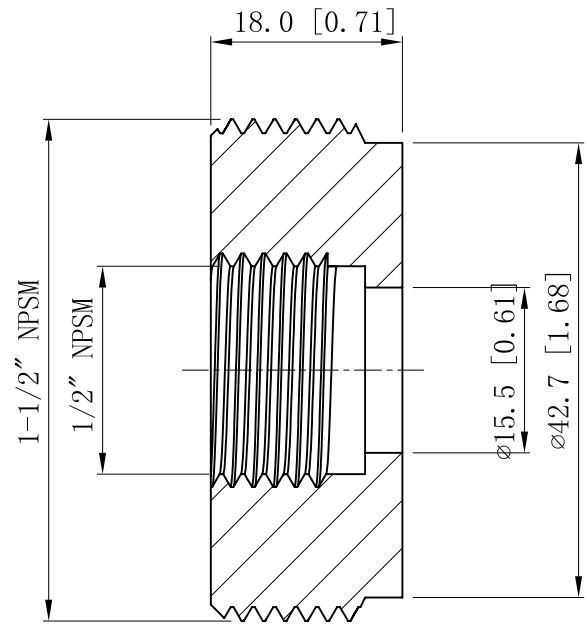
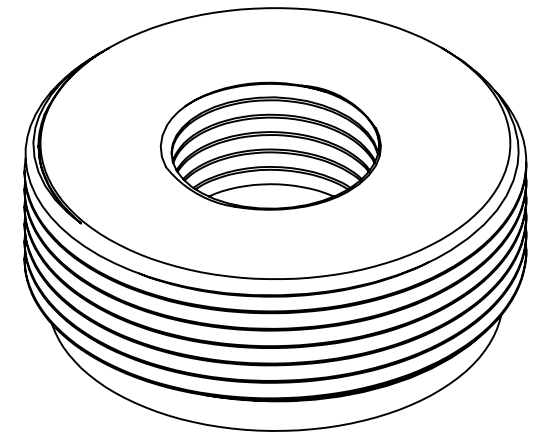
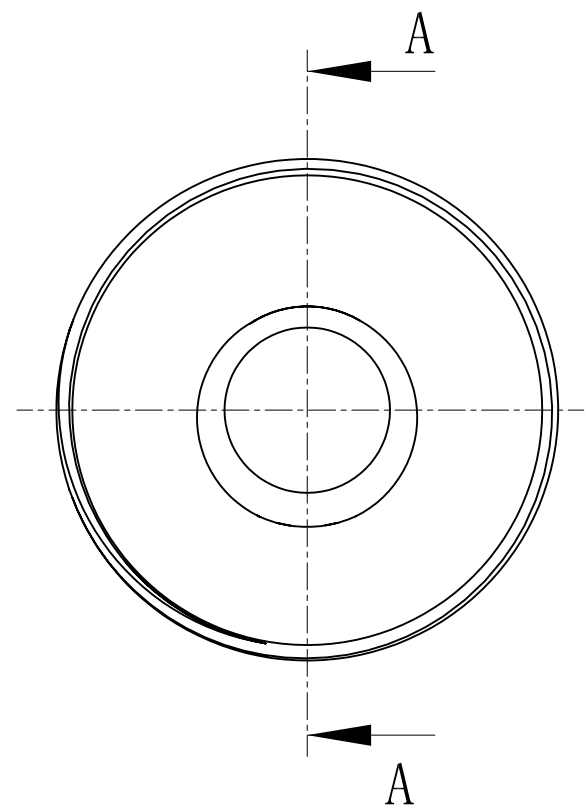


SIDES	BOTTOM
Material:Steel-(C1008-1018) Zinc Plated	



VIEW A-A



DESCRIPTION
TRADE REFERENCE TERMS

STANDARD PACKING
10 PCS

This data sheet is for reference only .GARVIN INDUSTRIES reserves the right to make changes to the design without prior notice.

<b>GARVIN INDUSTRIES</b>		
TITLE <b>STEEL REDUCING BUSHING</b>		
SIZE A4	DWG NO. RB15050	REV
DATA SHEET		