



LED Recessed Downlights

DESIGNER - ROUND BAFFLE TRIM



Superior Color Rendering

Topaz delivers with our designer series, easy-to-install, 90 CRI recessed downlights. Perfect for retrofit or new construction applications, these downlights boast exceptional lumen per watt efficacy and are available in 4" and 6" options. Our versatile 6" model can also be used in 5" recessed housing applications. Dimmable down to 5% of maximum lumen output, our downlights work seamlessly with most leading-edge dimmer technology.

FEATURES

- ENERGY STAR® Certified
- 6" 4000K model supports California Title 20 and 24, part 6 requirements for high efficacy LED light sources
- CRI of 90 provides exceptional color rendering
- For use in insulated or non-insulated ceilings
- Airtight certified per ASTM E283
- Quick connects for easy installation
- 50,000 hour life (L70)
- 4" replaces 50W Halogen; 6" replaces 65W Halogen
- Dimmable to 5% on most LED dimmers¹

SUGGESTED APPLICATIONS

- Retrofit and new construction
- Residential and multi-family
- Hospitality
- Office lighting

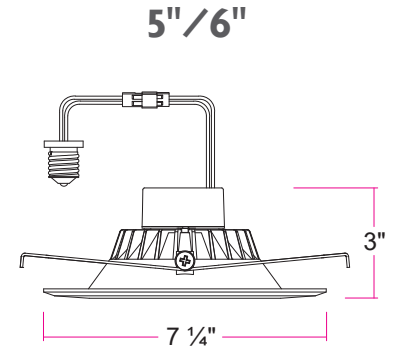
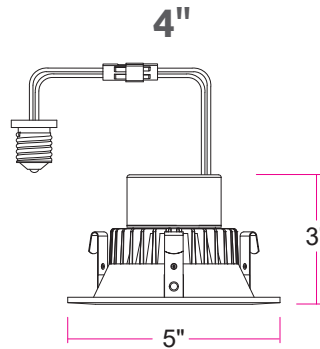


E467698

LED Recessed Downlights Designer - Round Baffle Trim

GENERAL SPECIFICATIONS

Input Voltage: 120V, 50/60Hz
Functional Life (L70): 50,000 Hours
CRI: 90
Base: E26
Ambient Operating Temp: -4°F to 113°F
Finish: White
Dimmable: to 5%
Location Rating: Wet
Power Factor: >0.9



SPECIFICATIONS / ORDER INFO

Catalog Number	Order Code	UPC	Size	Wattage	Input Current	CCT	Lumens	LPW	Beam Angle	ENERGY STAR®	Halogen Replacement	PK QTY	Unit Weight
RTL/423WH/90/D-28	79706 ¹	751338093669	4"	11W	85mA	2700K	625	57	98°	Y	50W	1	0.7 Lbs.
RTL/433WH/90/D-28	79719 ¹	751338093843	4"	11W	85mA	3000K	750	68	98°	Y	50W	1	0.7 Lbs.
RTL/443WH/90/D-28	79721 ¹	751338093850	4"	11W	85mA	4000K	765	70	98°	Y	50W	1	0.7 Lbs.
RTL/623WH/90/D-28	79710 ¹	751338093706	5"/6"	15W	100mA	2700K	1,020	68	103°	Y	65W	1	0.9 Lbs.
RTL/633WH/90/D-28	79723 ¹	751338093867	5"/6"	16W	100mA	3000K	1,155	77	103°	Y	65W	1	0.9 Lbs.
RTL/643WH/90/D-28	79725	751338093874	5"/6"	15W	100mA	4000K	1,250	83	103°	Y	65W	1	0.9 Lbs.

¹ Not for sale in California.

NOMENCLATURE

Example: RTL/423WH/90/D-28

RTL	4 6	X	3	WH	90	D
LED Recessed Trim	Size (in)	CCT	Style	White	90 CRI	Dimmable
		↓ 2 (Soft White) 3 (Warm White) 4 (Cool White) 5 (Daylight)	↓ 0 (Smooth) 3 (Baffle) 7 (Gimbal) SQ (Square)			

NOTES:

¹Dimming - This unit is designed to be compatible with most leading edge dimmers. (Dimming range 100% - 5%) Fixture performance may vary depending on dimmer manufacturer and circuit loading. Avoid mixing load types on the same circuit: Do not dim LED while also dimming CFL or incandescent loads.

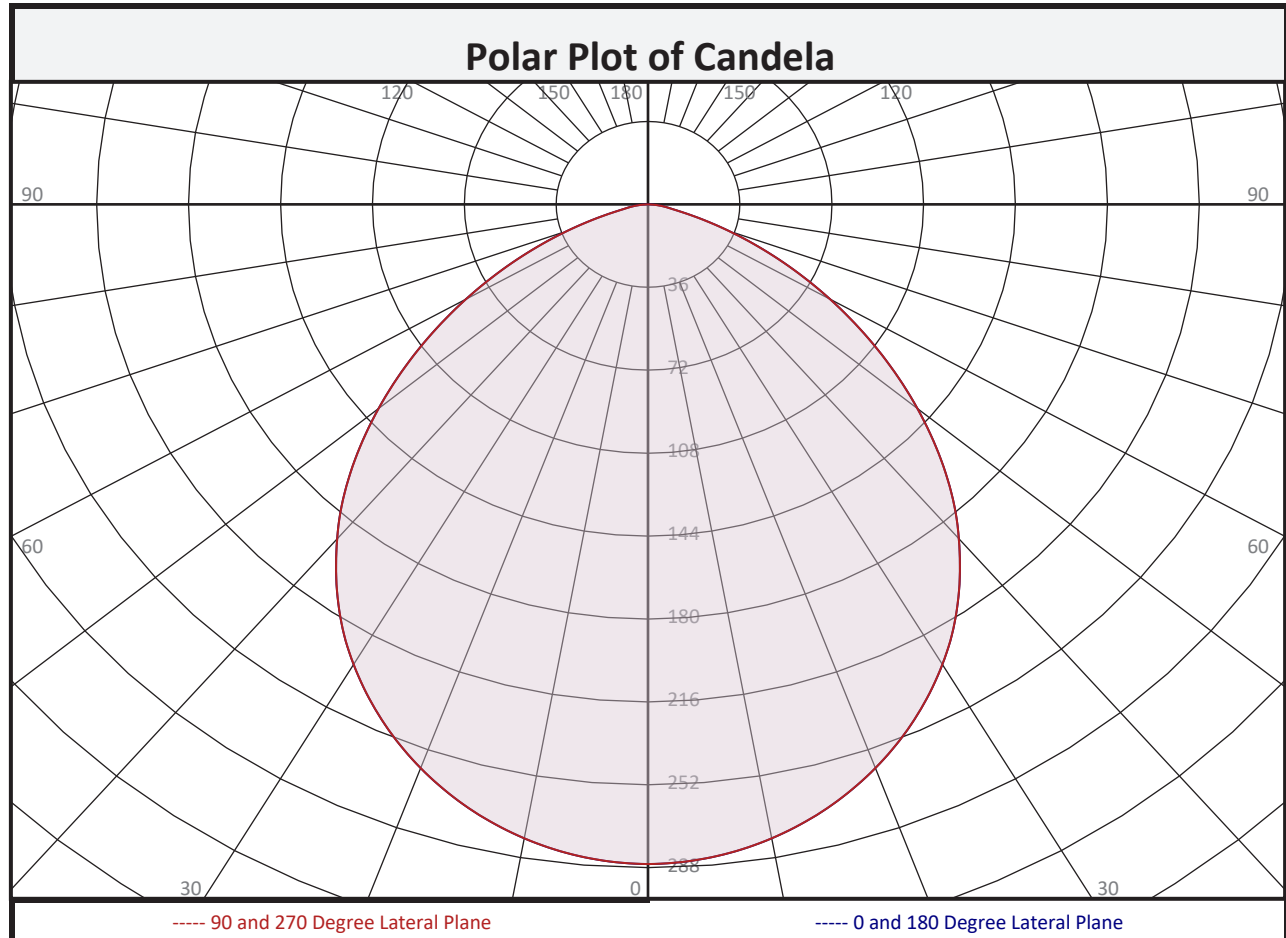
Topaz Lighting Corp. has found the following dimmers to be compatible with this unit: Leviton: IPL06, 6674 and Lutron: CTCL-153P, DVCL-153P

Specifications subject to change without notice.

Revised July 2020

LED Recessed Downlights Designer - Round Baffle Trim

4"



Zonal Flux Summary

Zone (Deg Vert)	Flux (Lumens)	Percent of Total	Zone (Deg Vert)	Flux (Lumens)	Percent of Total	Zone (Deg Vert)	Flux (Lumens)	Percent of Total
0-10	27.0	4.1%	90-100	0.0	0.0%	0-20	103.5	15.9%
10-20	76.5	11.7%	100-110	0.0	0.0%	0-30	217.2	33.3%
20-30	113.6	17.4%	110-120	0.0	0.0%	0-40	349.2	53.5%
30-40	132.1	20.2%	120-130	0.0	0.0%	0-60	574.2	88.0%
40-50	126.8	19.4%	130-140	0.0	0.0%	0-80	648.9	99.4%
50-60	98.1	15.0%	140-150	0.0	0.0%	10-90	625.5	95.9%
60-70	56.3	8.6%	150-160	0.0	0.0%	20-50	372.5	57.1%
70-80	18.4	2.8%	160-170	0.0	0.0%	40-90	303.3	46.5%
80-90	3.7	0.6%	170-180	0.0	0.0%	60-90	78.4	12.0%
0-90	652.6	100.0%	90-180	0.0	0.0%	0-180	652.6	100.0%



Job Name/Title: _____ Catalog Number _____

Contractor: _____ Notes: _____

**LED Recessed Downlights
Designer - Round Baffle Trim**

4"

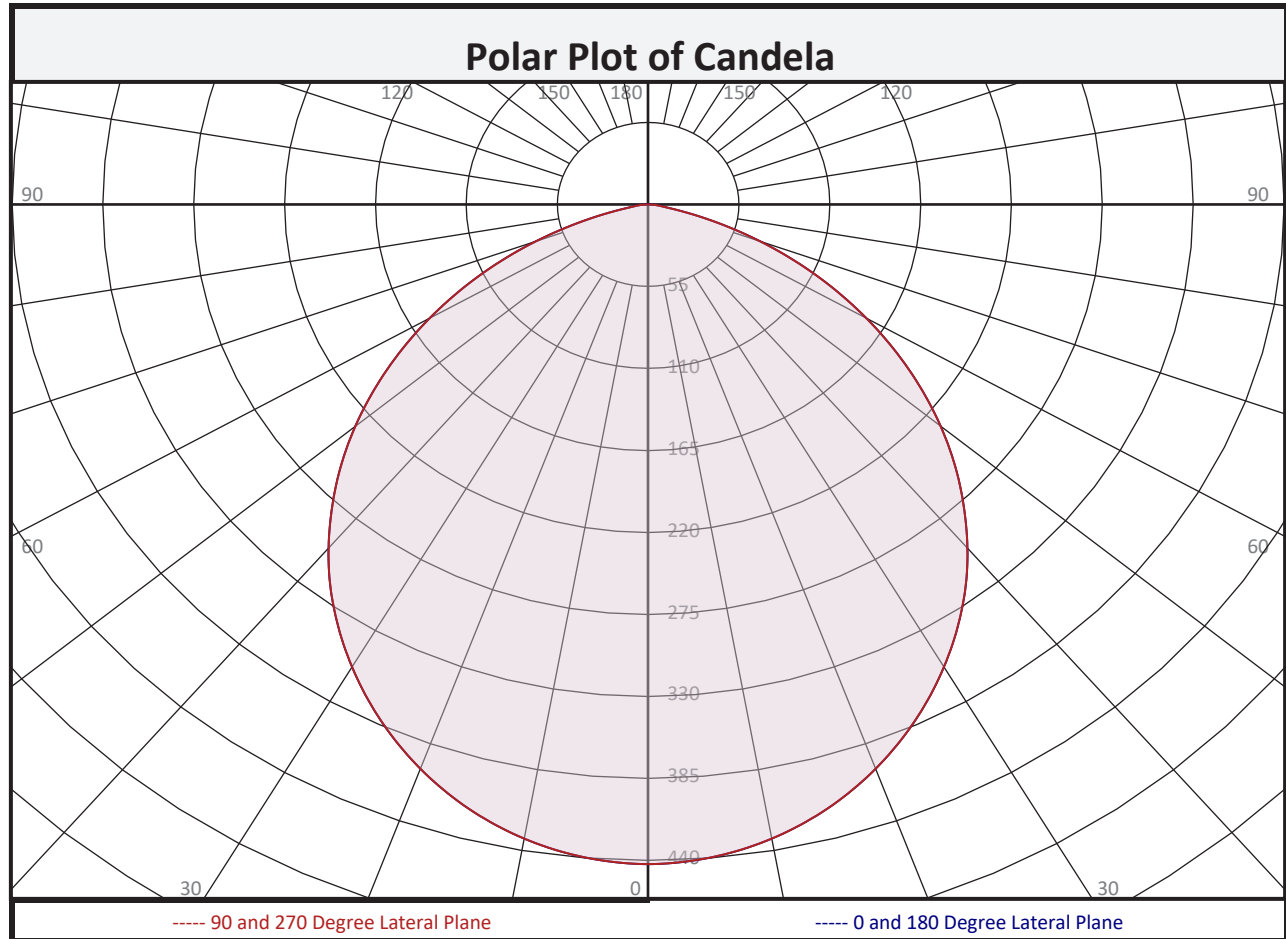
Circle of Light Plot			
Height(ft)	Illuminance at Nadir (fc)	Ground-level distance to half-of-nadir illuminance (ft)	
		0-180 deg	90-270 deg
6.0	8.0	7.20	7.20
8.0	4.5	9.61	9.61
10.0	2.9	12.01	12.01
12.0	2.0	14.41	14.41
14.0	1.5	16.81	16.81
16.0	1.1	19.21	19.21

Average Luminance (cd/m ²)			
	0 deg Plane	45 deg Plane	90 deg Plane
0	43017	43017	43017
45	35036	35036	35036
55	28759	28759	28759
65	20118	20118	20118
75	9185	9185	9185
85	5465	5465	5465

Spacing Criterion	
Spacing Criterion:	1.2

LED Recessed Downlights Designer - Round Baffle Trim

6"



Zonal Flux Summary										
Zone (Deg Vert)	Flux (Lumens)	Percent of Total		Zone (Deg Vert)	Flux (Lumens)	Percent of Total		Zone (Deg Vert)	Flux (Lumens)	Percent of Total
0-10	41.7	3.9%		90-100	0.0	0.0%		0-20	160.0	14.9%
10-20	118.3	11.0%		100-110	0.0	0.0%		0-30	336.0	31.2%
20-30	176.0	16.4%		110-120	0.0	0.0%		0-40	543.0	50.5%
30-40	207.0	19.2%		120-130	0.0	0.0%		0-60	920.6	85.6%
40-50	205.8	19.1%		130-140	0.0	0.0%		0-80	1070	99.5%
50-60	171.8	16.0%		140-150	0.0	0.0%		10-90	1034	96.1%
60-70	110.7	10.3%		150-160	0.0	0.0%		20-50	588.8	54.7%
70-80	39.1	3.6%		160-170	0.0	0.0%		40-90	532.6	49.5%
80-90	5.2	0.5%		170-180	0.0	0.0%		60-90	155.0	14.4%
0-90	1076	100.0%		90-180	0.0	0.0%		0-180	1076	100.0%



Job Name/Title: _____ Catalog Number _____

Contractor: _____ Notes: _____

**LED Recessed Downlights
Designer - Round Baffle Trim**

6"

Circle of Light Plot			
Height(ft)	Illuminance at Nadir (fc)	Ground-level distance to half-of-nadir illuminance (ft)	
		0-180 deg	90-270 deg
6.0	12.3	7.24	7.24
8.0	6.9	9.65	9.65
10.0	4.4	12.07	12.07
12.0	3.1	14.48	14.48
14.0	2.3	16.89	16.89
16.0	1.7	19.31	19.31

Average Luminance (cd/m ²)			
	0 deg Plane	45 deg Plane	90 deg Plane
0	36749	36749	36749
45	31372	31372	31372
55	27869	27869	27869
65	22018	22018	22018
75	11268	11268	11268
85	4375	4375	4375

Spacing Criterion	
Spacing Criterion:	1.2