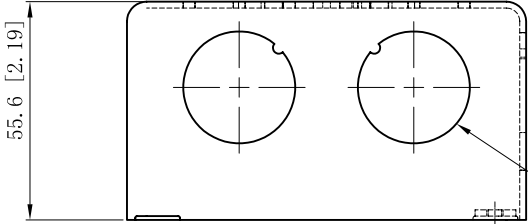
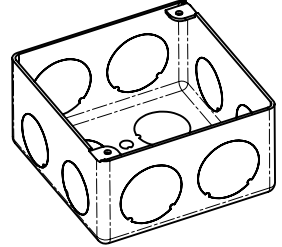


SIDES	BOTTOM
4 1" KNOCKOUTS	3 1/2" KNOCKOUTS
4 3/4" KNOCKOUTS	2 3/4" KNOCKOUTS
Material: Steel-0.0625"-G60 Galvanized	



4 3/4" KNOCKOUTS $\phi=28.50$ [$\phi=1.122$]



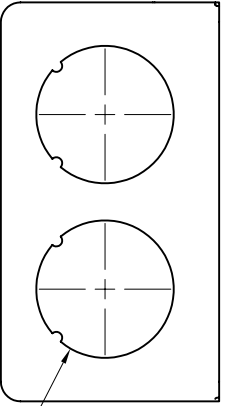
2 3/4" KNOCKOUTS $\phi=28.50$ [$\phi=1.122$]

2-#8-32 UNC HOLE

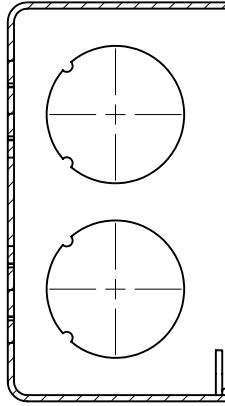
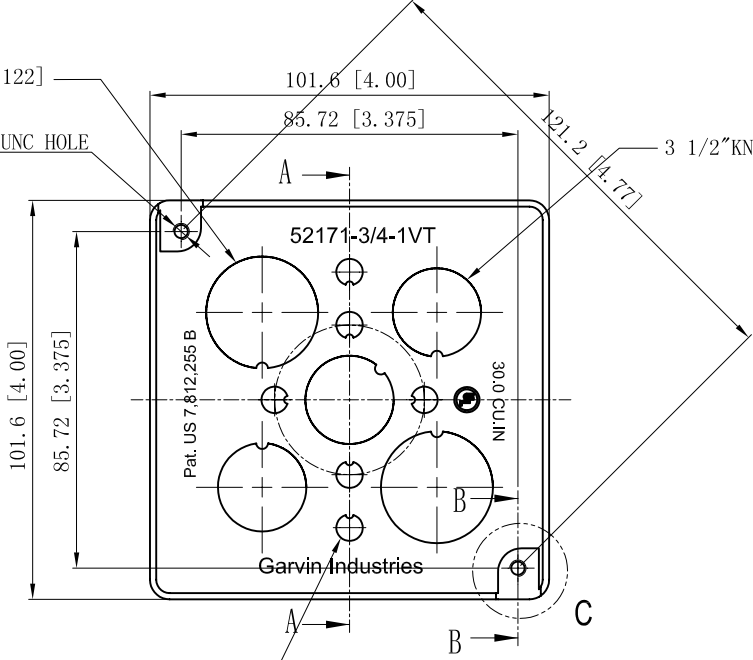
101.6 [4.00]

85.72 [3.375]

3 1/2" KNOCKOUTS $\phi=22.50$ [$\phi=0.886$]



4 1" KNOCKOUTS $\phi=35.00$ [$\phi=1.378$]



CUTAWAY VIEW A-A

6 KNOCKOUTS $\phi=6.75$ [$\phi=0.266$]

DESCRIPTION	Patent #: Pat. US 7,812,255 B
TRADE REFERENCE TERMS	

STANDARD PACKING	25 PCS
------------------	--------

This data sheet is for reference only. GARVIN INDUSTRIES reserves the right to make changes to the design without prior notice.

GARVIN INDUSTRIES	
TITLE 4" SQUARE BOXES 2-1/8" DEEP	
SIZE A4	DWG NO. 52171-3/4-1VT
DATA SHEET	
	REV F