

LED Power and CCT Selectable Troffers INSTALLATION INSTRUCTIONS

READ AND FOLLOW ALL SAFETY INSTRUCTIONS!



WARNING

- Make all electrical and grounded connections in accordance with local codes or the National Electrical Code. If you are not familiar with these codes and requirements, consult a qualified electrician. This professional should be familiar with the construction and operation of this product and hazards involved. Failure to do so may result in serious personal injury.
- To reduce the risk of fire, electric shock, personal injury, or property damage, please read and follow all safety instructions. If you do not understand these instructions or if any additional information is required, contact your local Topaz representative. Retain these instructions for maintenance reference.
- Make certain electrical supply is OFF before energizing fixture.
- Do not exceed the allowed supply voltage marked on the luminaire label information.



CAUTION

- Do not expose wires to any sharp objects such as sheet metal to prevent wiring damage or abrasion.
- To avoid risk of burn, be sure fixture temperature is cool enough to touch before handling.
- While the light is on, please avoid direct eye exposure.
- Combustible materials should be kept away from fixture/lens.

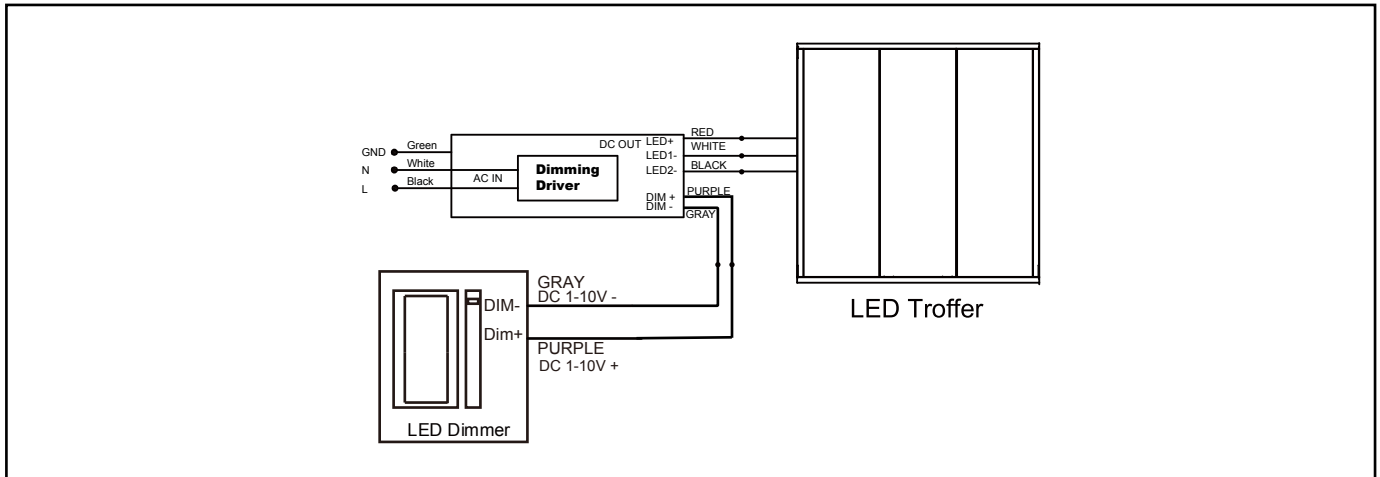
LED Power and CCT Selectable Troffers

INSTALLATION INSTRUCTIONS

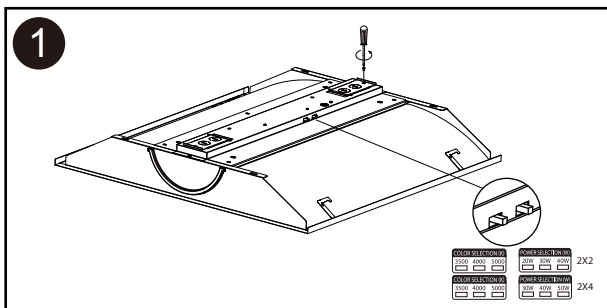
ELECTRICAL PARAMETERS

Model No.	Input Voltage	Frequency	Power	Rated Current
F-VTC22/40/PCTS/D-86	120-277V	50/60Hz	20-30-40W	20W: 0.18A @120V; 0.08A @277V 30W: 0.28A @120V; 0.12A @277V 40W: 0.36A @120V; 0.16A @277V
F-VTC24/50/PCTS/D-86	120-277V	50/60Hz	30-40-50W	30W: 0.28A @120V; 0.12A @277V 40W: 0.36A @120V; 0.16A @277V 50W: 0.45A @120V; 0.20A @277V

WIRING DIAGRAM



INSTALLATION STEPS



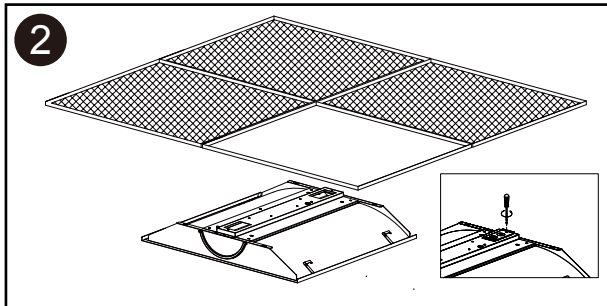
Step 1.

Select the desired CCT and the Wattage level on the switches as shown on back of the fixture for the specific lighting application.

The factory default setting for Wattage is 30W for a 2X2 troffer, and 40W for a 2X4 troffer. The factory default setting for CCT is 4000K for both 2X2 and 2X4 troffers.

LED Power and CCT Selectable Troffers

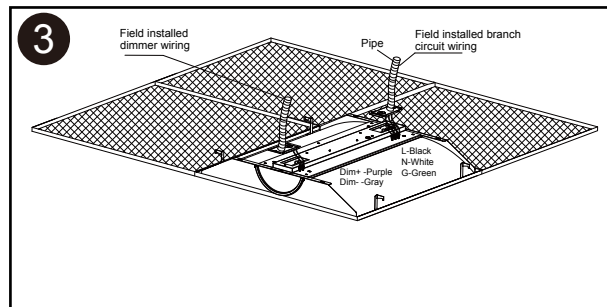
INSTALLATION INSTRUCTIONS



Step 2.

Open the steel plates to prepare the fixture for wiring connection by removing the appropriate knockouts.

Slide the fixture through the grid at a 45° angle to lay the fixture on the T-grid frame.

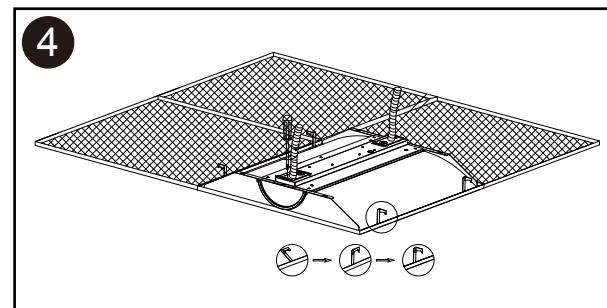


Step 3.

Make wiring connections according to the wiring diagram.

Connect the ground wire to the ground supply wire, the black line wire to the black supply wire, and the white neutral wire to the white supply wire. Push all wires back into the Splice Box.

Purple and gray wires are for 1-10V dimming. Cap purple and gray wire separately when not used.



Step 4.

Replace the steel plate back and tighten the screws once the wiring connection is complete.

Pre-installed grid clips are provided for additional retention to the ceiling system. Orient 4 clips on back of the fixture over the grid by lifting 90 degrees perpendicular to back of the fixture. Next bend tabs 90 degrees towards T-grid frame to secure the fixture.

Failure to follow any of these instructions could void product warranties. For a complete listing of product Terms and Conditions, please visit www.topaz-usa.com/led-fixtures-warranty