



Southwire™

STRAIGHT LIQUIDTIGHT CONNECTORS WITH INSULATED THROAT - ZINC

FEATURES

- Liquidtight, raintight, oiltight
- Straight connectors
- Assembled with a die cast locknut
- Insulated throat protects against abrasion damage

APPLICATION

- For use with metallic and non-metallic "Type B" liquidtight conduit

STANDARD MATERIAL

- Zinc die cast

CERTIFICATIONS

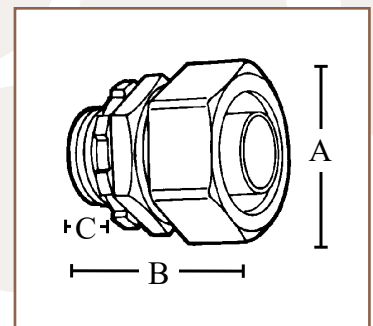
- cULus



470i



| PART # | SIZE | INNER QTY. | MASTER QTY. | WEIGHT/ CASE (LBS.) | A | B | C |
|--------|--------------|------------|-------------|---------------------|--------|--------|-------|
| 470I | 3/8" 1/2" KO | 20 | 200 | 40 | 1.446" | 1.260" | .40" |
| 471I | 1/2" | 20 | 200 | 34 | 1.50" | 1.385" | .42" |
| 472I | 3/4" | 10 | 100 | 25 | 1.603" | 1.72" | .42" |
| 473I | 1" | 5 | 50 | 22 | 1.792" | 1.90" | .550" |
| 474I | 1-1/4" | 5 | 50 | 34 | 1.90" | 2.29" | .546" |
| 475I | 1-1/2" | 2 | 20 | 18 | 1.937" | 2.633" | .52" |
| 476I | 2" | 2 | 20 | 28 | 2.08" | 3.156" | .585" |



Rev. 0, 01/23

**BUILT FOR DURABILITY.
BUILT FOR RELIABILITY.
BUILT FOR WORK.™**

1-855-798-6657 | SOUTHWIRE.COM

©2023 Southwire Company, LLC. All rights reserved.
*Registered Trademark & ™Trademark of Southwire Company, LLC.