

## Surface Mount Downlights - CCT Selectable INSTALLATION INSTRUCTIONS

### READ AND FOLLOW ALL SAFETY INSTRUCTIONS!

#### **WARNING**

- **Make all electrical and ground connections in accordance with local codes or the National Electrical Code. If you are not familiar with these codes and requirements, consult a qualified electrician. This professional should be familiar with the construction and operation of this product and hazards involved. Failure to do so may result in serious personal injury.**
- **To reduce the risk of fire, electric shock, personal injury, or property damage, please read and follow all safety instructions. If you do not understand these instructions or if any additional information is required, contact your local Topaz representative. Retain these instructions for maintenance reference.**
- **Make certain electrical supply is OFF before energizing fixture.**
- **Do not exceed the allowed supply voltage marked on the luminaire label information.**

#### **CAUTION**

- **Do not expose wires to any sharp objects such as sheet metal to prevent wiring damage or abrasion.**
- **To avoid risk of burn, be sure fixture temperature is cool enough to touch before handling.**
- **Do not make or alter any open holes in any enclosure or any electrical component during installation.**
- **Do not use when enclosure is damaged or broken in any way.**
- **While the light is on, please avoid direct eye exposure. Combustible materials should be kept away from fixture/lens.**
- **Do not alter, relocate or remove wiring, lamp holder power supply or any other electrical component.**

# Surface Mount Downlights - CCT Selectable

## INSTALLATION INSTRUCTIONS

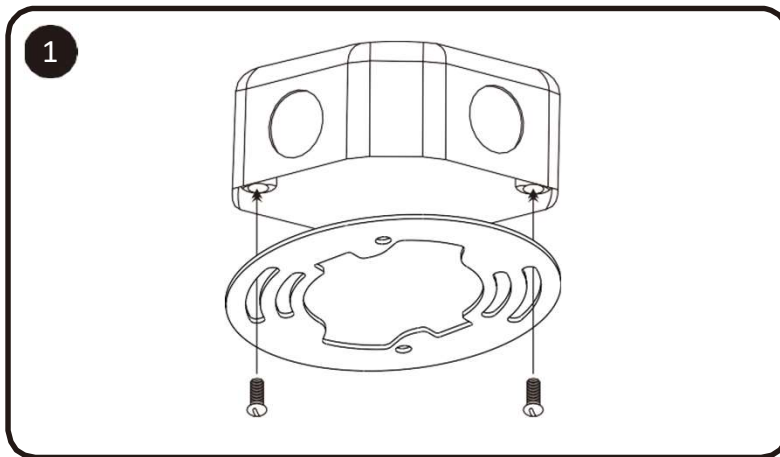
### ELECTRICAL PARAMETERS

Model No.	Input Voltage	Frequency	Power	Rated Current
SMD5/RND/11/CTS-46	120V	60Hz	11W	130mA
SMD7/RND/17/CTS-46	120V	60Hz	17W	180mA

The luminaire fits 3.5", 4" octagonal and round junction boxes.

The installation accessories include one mounting bracket, two 3/4" 8-32 screws, and three wire nuts.

### INSTALLATION STEPS



**STEP 1:**

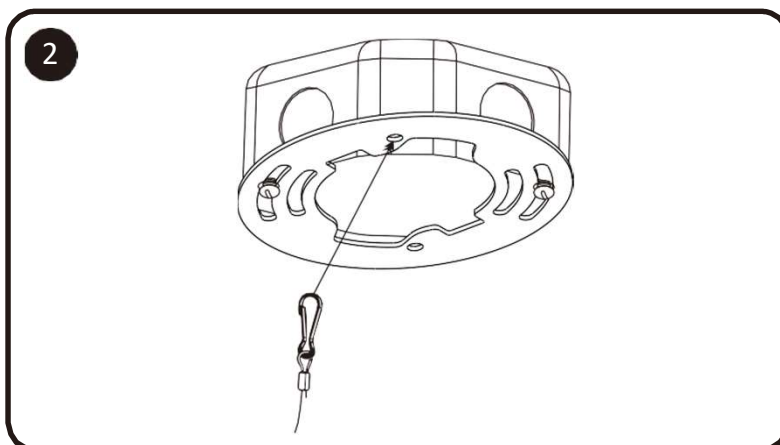
Make sure electrical power is turned **OFF** at the fuse or breaker before beginning any work on this fixture.

**STEP 2:**

The fixture comes with CCT setting 2700K preselected. If you wish to change the CCT setting, slide the switch on the back to the desired CCT setting.

**STEP 3:**

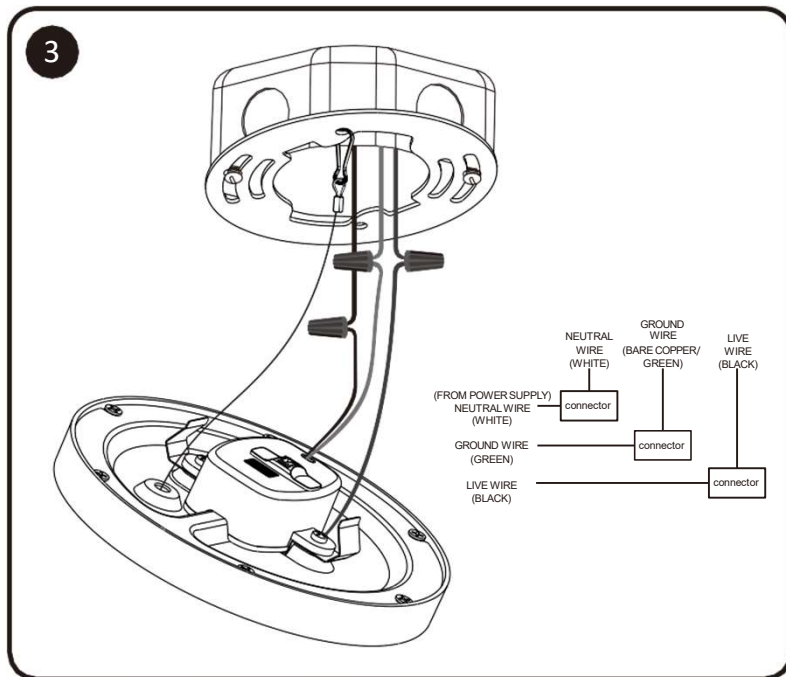
Secure the included mounting bracket to the junction box using the screws through the appropriate slots. The marked side of the mounting bracket should face ceiling. **See Figure 1**



**STEP 4:**

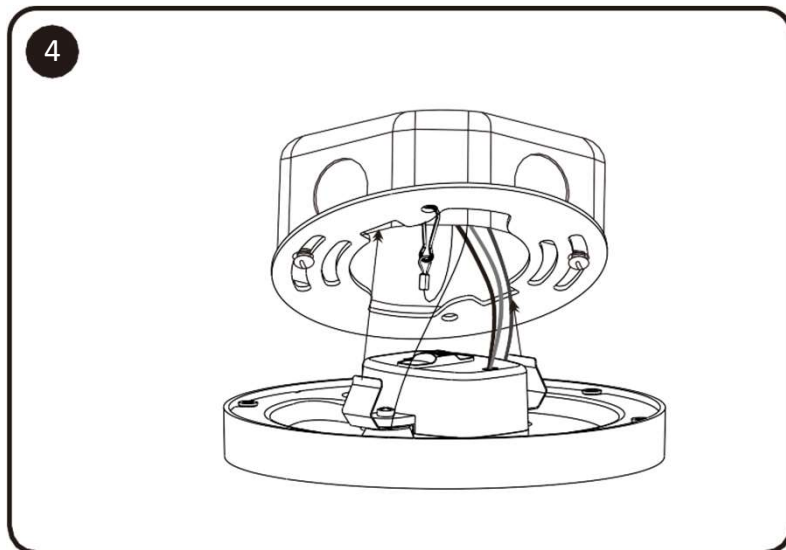
Attach the Tether cable to one of the round holes in the mounting bracket to hold luminaire before making electrical connections. **See Figure 2**

## Surface Mount Downlights - CCT Selectable INSTALLATION INSTRUCTIONS



**STEP 5:**

With the power turned off, connect wires with wire nuts (live wire to live wire, neutral wire to neutral wire, ground wire to ground wire). **See Figure 3**



**STEP 6:**

Push all wires and connections back into the junction box. Align spring clips on back of the fixture with the pocket receptacles of the mounting bracket. Then push the spring clips into the receptacles until the luminaire is flushed with ceiling. **See Figure 4**

**STEP 7:**

Turn on electrical power at fuse or circuit breaker box and verify that fixture functions properly.

**Failure to follow any of these instructions could void product warranties. For a complete listing of product Terms and Conditions, please visit [www.topaz-usa.com/led-fixtures-warranty](http://www.topaz-usa.com/led-fixtures-warranty)**

**\*\*NOTE: THESE INSTRUCTIONS DO NOT ADDRESS ALL PERMUTATIONS THAT MAY EXIST IN INSTALLATION, MAINTENANCE, AND OPERATING ENVIRONMENT.**