



Southwire™

BEAM/PURLIN

UNIVERSAL BEAM CLAMP

APPLICATION

Provides a connection point for threaded rods or
bridal rings from beam flange.

FEATURES

Electrogalvanized coating for corrosion protection
Threaded rod attaches vertically from back of clamp

MATERIAL/FINISH

Malleable iron

CERTIFICATIONS

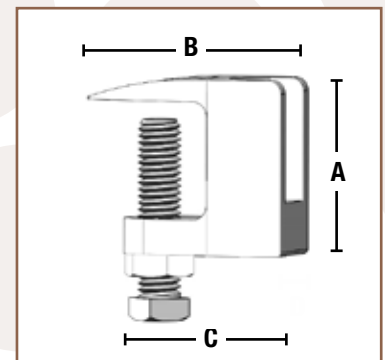
UL Standard: UL 2239



3000037EGTZ



PART #	FLANGE THICKNESS	ROD SIZE	MOUNT LOAD (LBS.)	A	B	C	D	BOX QTY.
3000037EGTZ	3/4"	3/8"	300	1.60"	1.88"	1.79"	.792	100
3000050EGTZ	3/4"	1/2"	300	1.64"	1.70"	1.78"	1.04	100
3000062EGTZ	3/4"	5/8"	300	1.85"	1.84"	1.82"	1.18	50
3000075EGTZ	3/4"	3/4"	300	1.87"	2.29"	2.12"	1.31	50
3100037EGTZ	1-1/4"	3/8"	300	2.03"	1.67"	2.31"	.948	50
3100050EGTZ	1-1/4"	1/2"	300	2.10"	1.67"	2.33"	1.02	50



Rev. 0, 03/23

**BUILT FOR DURABILITY.
BUILT FOR RELIABILITY.
BUILT FOR WORK.™**

1-855-798-6657 | SOUTHWIRE.COM

©2023 Southwire Company, LLC. All rights reserved.
*Registered Trademark & ™Trademark of Southwire Company, LLC.