



Southwire™

COMBINATION COUPLINGS

SET SCREW TO CLAMP TYPE - EMT TO FLEX - ZINC

FEATURES

- Set screw to clamp type
- Tri-combo screw head
- EMT to flex combination coupling

APPLICATION

- Indoor use only
- Use to join EMT conduit to flexible metallic conduit

STANDARD MATERIAL

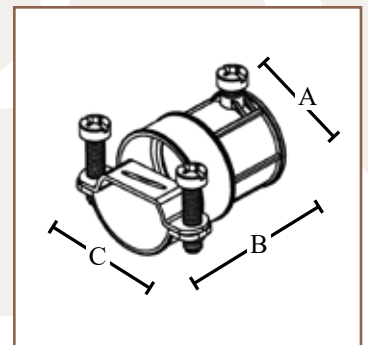
- Zinc die cast
- Zinc plated steel strap

CERTIFICATIONS

- cULus



181



PART #	SIZE	INNER QTY.	MASTER QTY.	WEIGHT/ CASE (LBS.)	A	B	C
181	1/2" - 1/2"	25	250	25	1.13"	1.66"	1.58"
182	3/4" - 3/4"	---	100	15	1.34"	1.91"	1.81"
182A	1" - 1"	---	50	13	1.58"	2.19"	2.13"

Rev. 0, 02/23

**BUILT FOR DURABILITY.
BUILT FOR RELIABILITY.
BUILT FOR WORK.™**

1-855-798-6657 | SOUTHWIRE.COM

©2023 Southwire Company, LLC. All rights reserved.
*Registered Trademark & ™Trademark of Southwire Company, LLC.