

# FULL CUT OFF WALLPACK INSTALLATION INSTRUCTIONS

## READ AND FOLLOW ALL SAFETY INSTRUCTIONS!

 **WARNING**

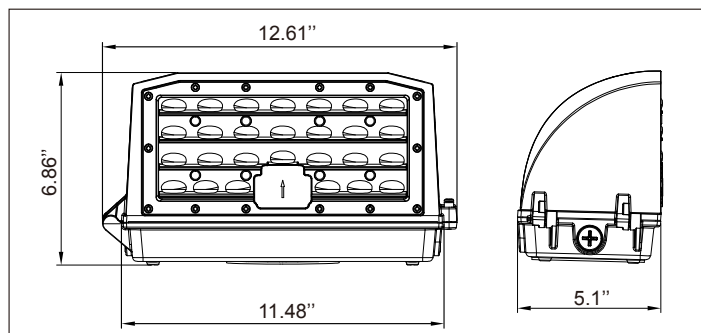
- Make all electrical and ground connections in accordance with local codes or the National Electrical Code. If you are not familiar with these codes and requirements, consult a qualified electrician. This Professional should be familiar with the construction and operation of this product and hazards involved. Failure to do so may result in serious personal injury
- To reduce the risk of fire, electric shock, personal injury, or property damage, please read and follow all safety instructions. If you do not understand these instructions or if any additional information is required, contact your local Topaz representative. Retain these instructions for maintenance reference.
- Do not exceed the allowed supply voltage marked on the luminaire label information
- Disconnect power at the circuit breaker panel before any installation

 **CAUTION**

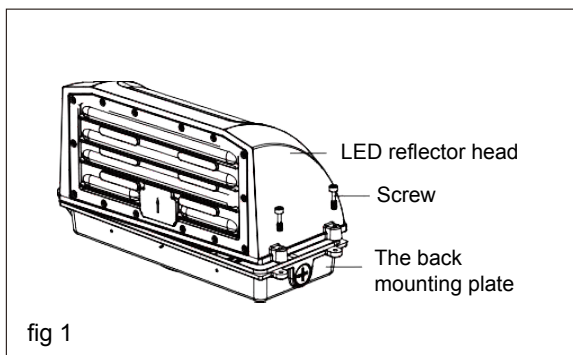
- Do not expose wire to any sharp objects such as sheet metal to prevent wiring damage or abrasion
- While the light is on, please avoid direct eye exposure
- Combustible/corrosive material should be kept away from fixture/LENS.
- Do not make or alter any open holes in any enclosure or any electrical component during installation
- Do not use when the enclosure is damaged or broken in any way.
- Do not alter, relocate or remove wiring, lamp holder power supply or any other electrical component

Part No.	Input Voltage	Frequency	Wattage	Rated Current 120V	Rated Current 277V
WPFC-75WPCTS-BZ-PC	120V-277V	50Hz/60Hz	45W	0.41A	0.18A
			60W	0.55A	0.24A
			75W	0.69A	0.30A

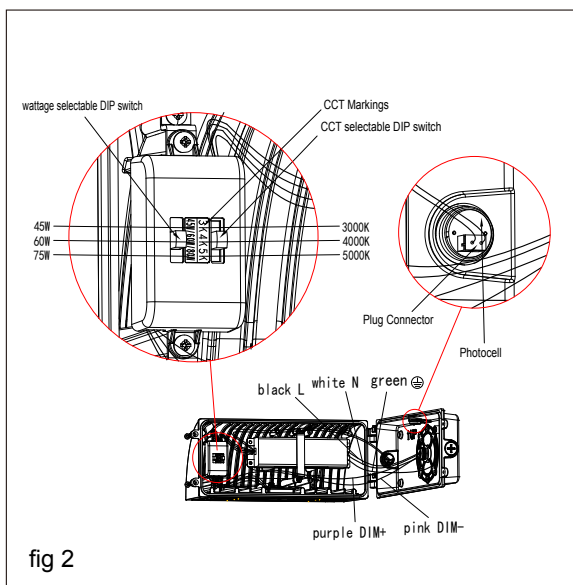
# FULL CUT OFF WALLPACK INSTALLATION INSTRUCTIONS



## Installation Instructions:

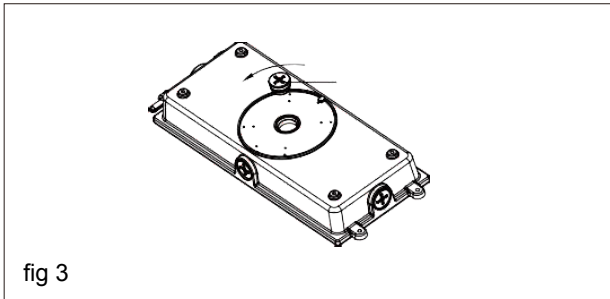


1. Make sure all AC power is disconnected before beginning any electrical work.
2. Using a Philips screwdriver, remove 2 screws from fixture. See fig 1
3. Open fixture carefully. Unplug the photocell (if plugged in), then separate the LED reflector head from the back mounting plate. (see fig 2)

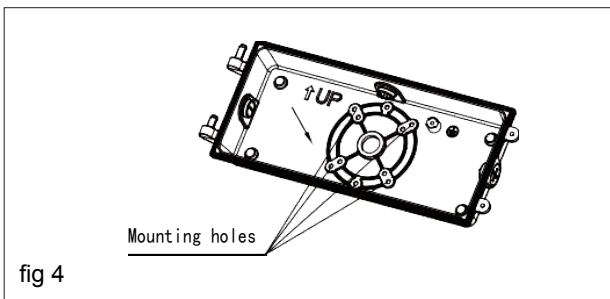


At this point choose the desired Wattage and CCT using switches to best suit the application for which the fixture is installed.

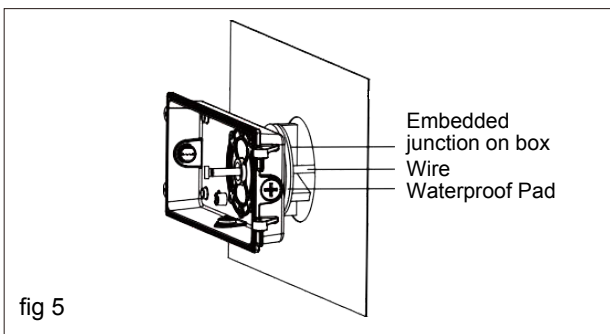
# FULL CUT OFF WALLPACK INSTALLATION INSTRUCTIONS



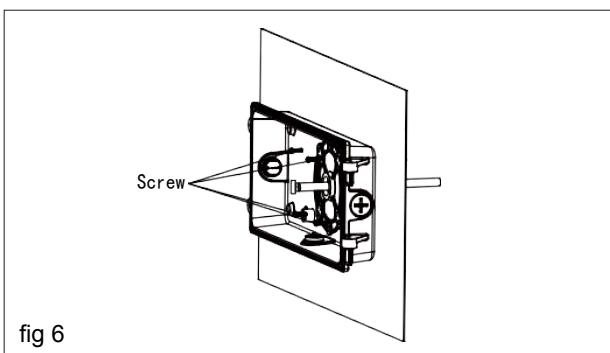
4. Remove NPT plug from the back of the back mounting plate using a screwdriver.  
see fig 3



5. Drill or punch out the needed mounting holes according to the junction box size.  
see fig 4

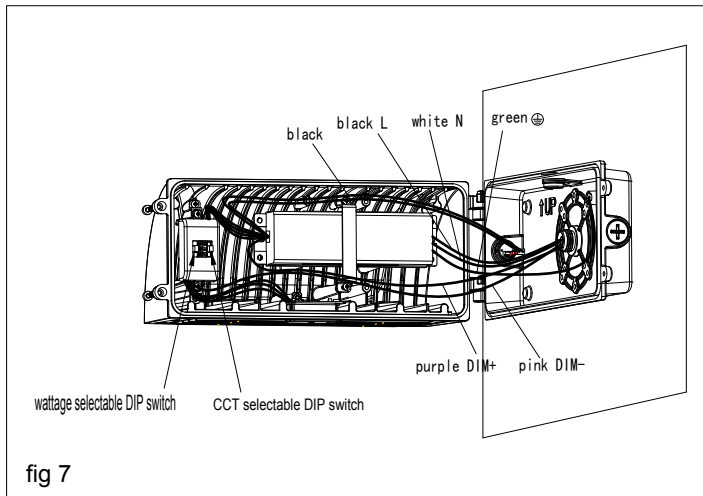


6. Attach the waterproof pad to the back mounting plate. Pay attention to not cover the mounting hole or the access hole.  
see fig 5

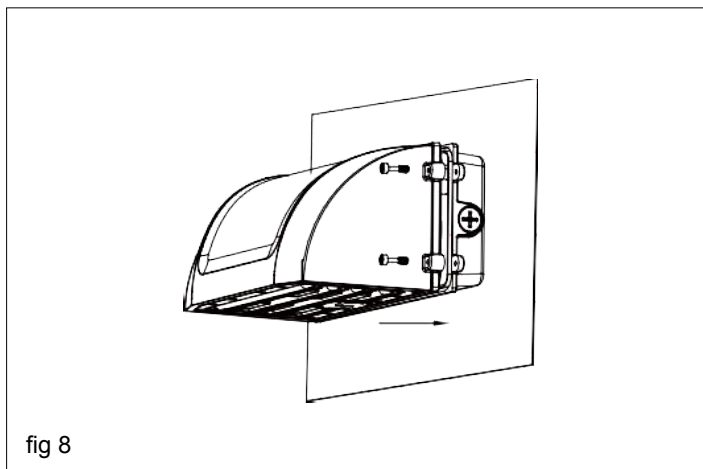


7. Pull wires through the access hole and mount the back mounting plate using the supplied hardware. Position the back mounting plate so that it is oriented properly by following the word "UP" stamped inside.  
see fig 6

# FULL CUT OFF WALLPACK INSTALLATION INSTRUCTIONS



8. Hang the LED reflector head on to the mounted. Connect the input wires to the fixture wires (white to white, black to black, and green to green). Connect dimming leads (if applicable). Plug in the photocell cable if the photocell function is desired. The photocell when plugged in activates the light at dusk and deactivates at dawn. see fig 7



9. Close the fixture using the 2 Philips screws. Make sure not to pinch any wires. see fig 8
  10. Turn on AC power and test the light to ensure proper operation.
- Note:** It may be difficult to test during daylight hours. For best results, check at dusk and dawn.

**\*\*NOTE: THESE INSTRUCTIONS DO NOT ADDRESS ALL PERMUTATIONS THAT MAY EXIST IN INSTALLATION, MAINTENANCE, AND OPERATING ENVIRONMENT.**