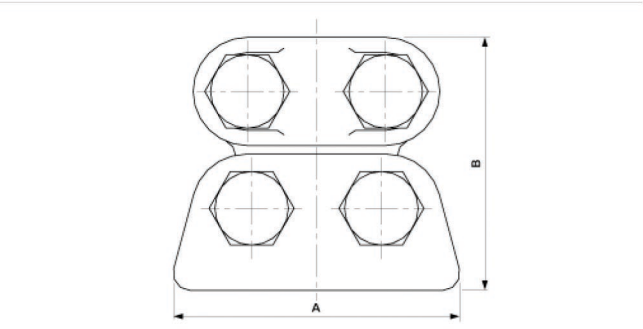


# Feeder clamp TW feeder clamp TW 50-95 mm<sup>2</sup>

Item number D0446-02



## Dimensions

A: 66 mm

B: 58 mm

## Material and weight

Gewicht: 0.475 kg

Material: Bz

## Comments

- Für Rillenfahrdrabt 80-120 mm<sup>2</sup>
- Für Seile 50- 95 mm<sup>2</sup>



**Southwire**<sup>™</sup>



A COLAS RAIL COMPANY

Contact Us: [Transit@southwire.com](mailto:Transit@southwire.com)