



Southwire™

EMT COUPLINGS

SET SCREW TYPE - STEEL

FEATURES

- Set screw type connectors and couplings
- Concrete tight when taped

APPLICATION

- Use to join two lengths of EMT

STANDARD MATERIAL

- Steel

STANDARD FINISH

- Zinc plated

CERTIFICATIONS

- UL Standard: UL 514B
- Fed. Spec: W-F-406E, W-F-406D
- NEMA: FB1-2014



641S

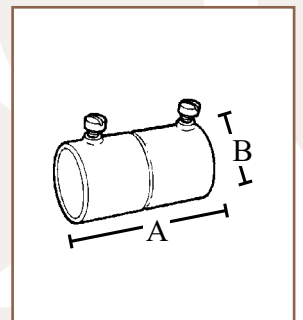


647S

PART #	SIZE	INNER QTY.	MASTER QTY.	WEIGHT/CASE (LBS.)	A	B
641S	1/2"	50	500	50	1.750"	.88"
642S	3/4"	25	250	38	2.125"	1.06"
643S	1"	10	100	24	2.50"	1.31"
644S	1-1/4"	---	25	11	3.25"	1.69"
645S	1-1/2"	---	25	17	3.75"	1.94"
646S	2"	---	20	18	4"	2.38"
647S*	2-1/2"	---	12	19	4.25"	3.19"
648S*	3"	---	12	26	4.50"	3.19"
649S*	3-1/2"	---	6	15	4.75"	4.31"
650S*	4"	---	6	17	5"	4.81"

* EMT and Rigid

1/2" - 1" = 2 screw 1-1/4" - 4" = 4 screw



Rev. 0, 05/23

**BUILT FOR DURABILITY.
BUILT FOR RELIABILITY.
BUILT FOR WORK.™**

1-855-798-6657 | SOUTHWIRE.COM

©2023 Southwire Company, LLC. All rights reserved.
*Registered Trademark & ™Trademark of Southwire Company, LLC.