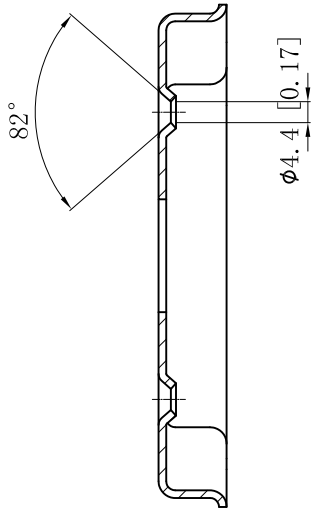
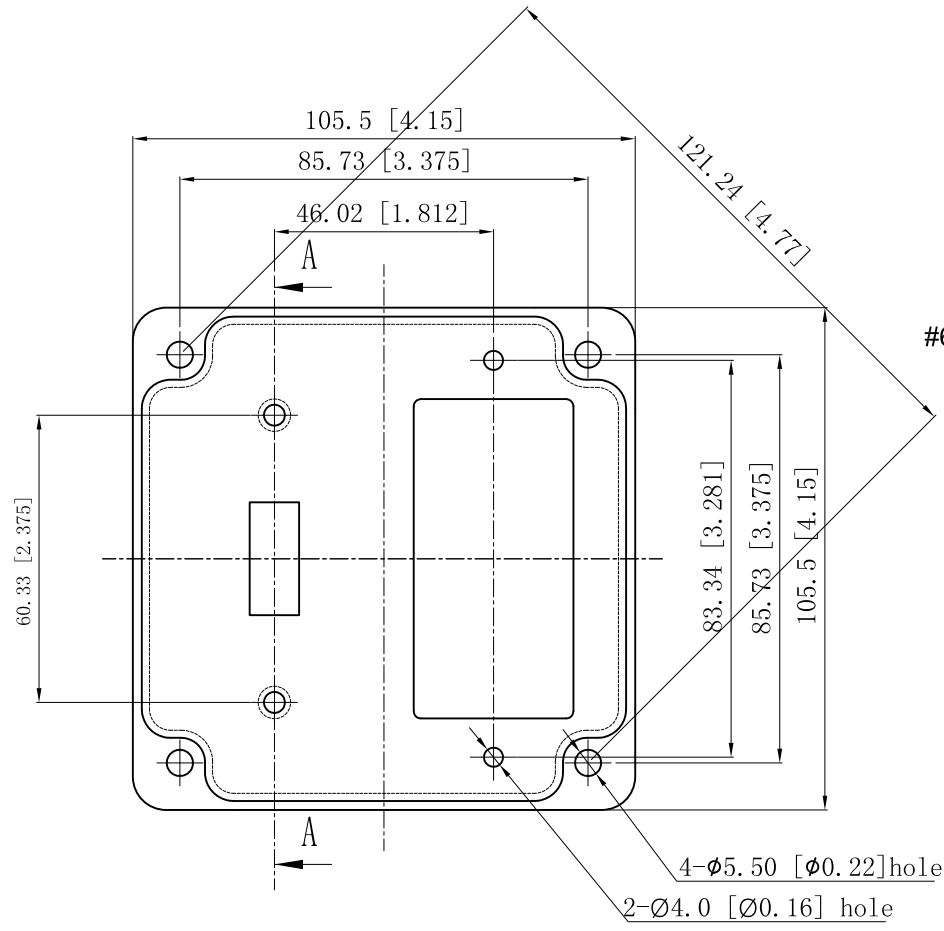


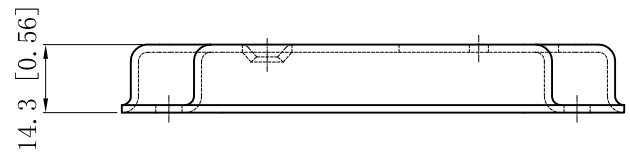
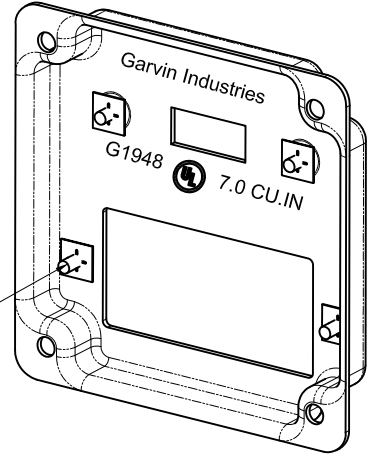
SIDES	BOTTOM
4 Pcs 6-32X5/16 screws Pack In Poly-bag Separately	
2 Pcs 6-32 Nut Pack In Poly-bag Separately	
Material:Steel-0.0625"-G60 Galvanized	



VIEW A



#6-32 UNC, x4



This data sheet is for reference only .GARVIN INDUSTRIES reserves the right to make changes to the design without prior notice.

DESCRIPTION
TRADE REFERENCE TERMS

STANDARD PACKING
50 PCS

TITLE			GARVIN INDUSTRIES	
TITLE			4" SQUARE INDUSTRIAL "GARVIN" COVERS	
SIZE	DWG NO.	G1948		REV
A4		DATA SHEET		E