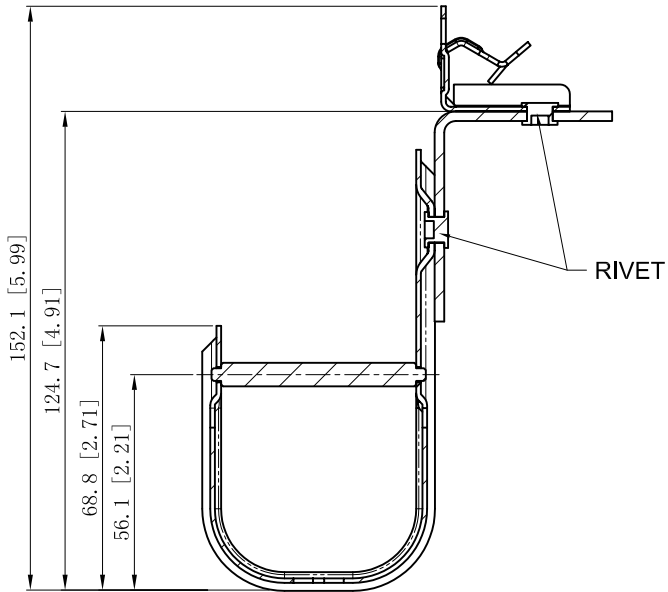
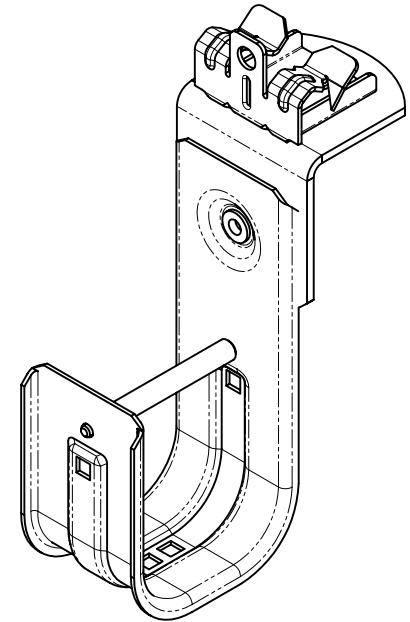
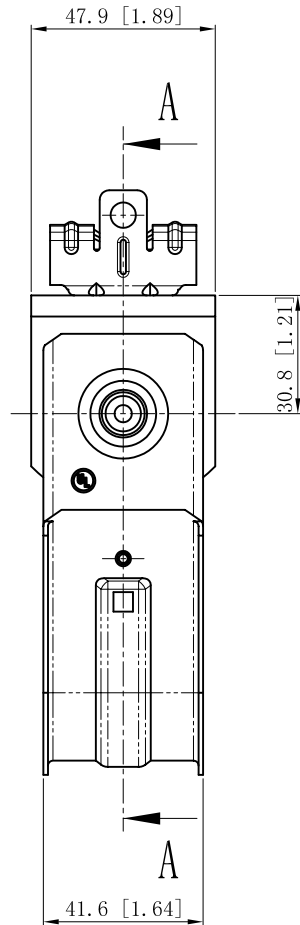


SIDES	BOTTOM
Material: Steel-0.047"-G60 Galvanized	



CUTAWAY VIEW A-A



DESCRIPTION
TRADE REFERENCE TERMS

This data sheet is for reference only .GARVIN INDUSTRIES reserves the right to make changes to the design without prior notice.

STANDARD PACKING	<h1 style="text-align: center;">GARVIN INDUSTRIES</h1>		
50 PCS			
	TITLE	J-HOOKS	
	SIZE	DWG NO.	REV
	A4	JHK-32-H0	A
		DATA SHEET	