

R17d-BASE DOUBLE END BYPASS T8 INSTALLATION INSTRUCTIONS

Items:
L8T8B/840/42F/R17D
L8T8B/850/42F/R17D L8T8B/865/42F/R17D

CAUTION: Before installing, make sure AC power to the fixture is turned off

Electrical rating of this product is 120-277VAC. Installer must confirm voltage at the fixture before installation

These LED tubes are for indoor use only. Maximum ambient temperature must not exceed 120°F

Instructions for Double-Ended Wiring Installation

Removing Existing Fluorescent System

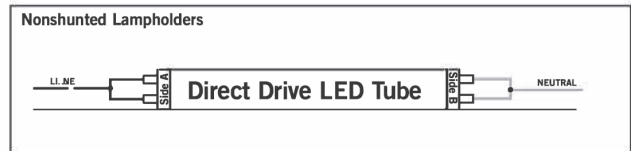
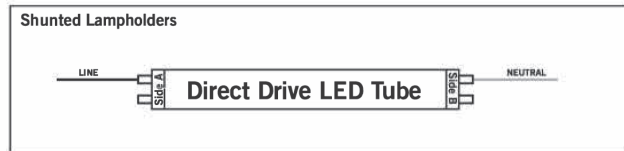
1. Disconnect power from fixture.
2. Remove fluorescent lamp(s).
3. Remove lens and wiring compartment, if applicable.
4. Cut all wires connected to the ballast as shown in Diagrams A, B, and C on Page 1.
5. Identify what type of lampholders are in fixture. Double-Ended wiring installations of the tubes can be used with shunted G13 or nonshunted G13 lampholders (with instructions to externally shunt). See Figures 1 and 2 on Page 1.

Installing the Lamps

- I. Ensure power is disconnected from fixture.
- II. Make sure fixture is properly grounded.
- III. Follow step 1 for single lamp application or steps 2 & 3 for multiple lamp application, based on the number of lamps in the fixture:

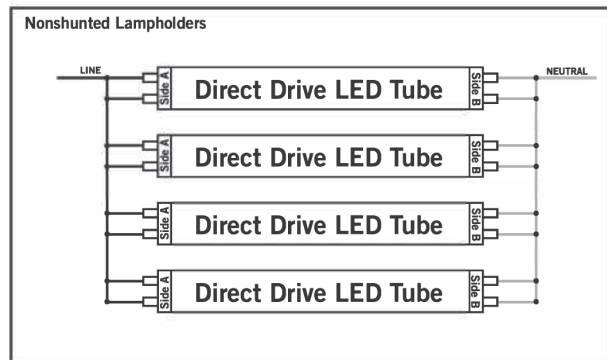
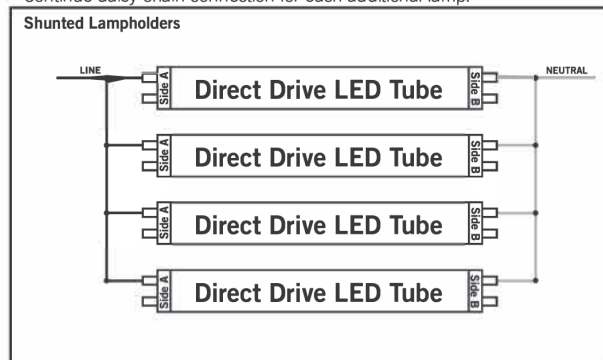
Single Lamp

1. From AC wires, connect line (L) to Side A lampholder and neutral (N) to Side B lampholder. If only one lamp is being installed, proceed to step 4.



Multiple Lamps

2. Follow the steps above for single lamp connection to connect the first lamp.
3. Connect the terminals from the first lamp to the matching terminals on the lampholder of the second lamp with line and neutral wires as shown below.
Continue daisy-chain connection for each additional lamp.



4. Complete all electrical connections with appropriate connectors/wire nuts as needed, per all local and national electrical codes.

NOTE: There should not be any exposed wires from sockets left unconnected.

5. Replace wiring compartment cover.
6. Install tubes so that the LEDs are positioned in the proper direction for illumination, and install any lens or diffuser as applicable.
7. Installation is complete, power can be supplied to fixture