

Job Name/Title: _____

Model #: _____

Fixture Type: _____



LED ROUND HIGH BAY POWER SELECTABLE



REPLACEMENT FOR MULTI-LAMP FLUORESCENT OR HID HIGH BAY LUMINARIES



- **COMMERCIAL, INDUSTRIAL**
- **MANUFACTURING FACILITIES**
- **BIG BOX RETAIL**
- **WAREHOUSES**
- **GYMNASIUMS**



**BUILT FOR DURABILITY.
BUILT FOR RELIABILITY.
BUILT FOR WORK.™**

800-666-2852 | TOPAZ-USA.COM

©2023 Southwire Company, LLC. All rights reserved.
*Registered Trademark & ™Trademark of Southwire Company, LLC.



LED ROUND HIGH BAY POWER SELECTABLE



CONSTRUCTION

- Die-cast aluminum construction with black powder coat finish
- IK10 impact rated lens
- 110° beam angle

ELECTRICAL

- Standard 0-10V dimming
- Power Factor ≥ 0.9 , THD% $\leq 20\%$
- 6kV surge protection rating

INSTALLATION

- J-Hook mount ready, Surface mount, pendant mount accessories sold separately
- 6' power and dimming cord with leads, 1.7' safety cable, J-Hook included

EMERGENCY BATTERY BACKUP

- Field install, 120-277V Universal input emergency driver accessory available

CONTROLS

- Low voltage sensor receptacle for sensor install
- Plug and play low voltage PIR sensor and remote control accessory available
- Line voltage PIR sensor accessory available for use with 120-277V
- Low voltage PIR sensor with Blue tooth connectivity available

COMPLIANCE

- cULus listed for wet location
- FCC part 15
- -40°F to 122°F ambient operating temperatures
- 5-year limited warranty
- ETL Sanitation listed, NSF Compliant (NSF2) for installation in food processing facilities (Non Food Zone)

ORDERING GUIDE

Example: **HBC-40L-50K-PS**

PRODUCT	LUMEN PACKAGE	CCT	OPTIONS
HBC = HIGH BAY CIRCULAR	POWER SELECTABLE MODELS 24L = 15,675/20,625/24,000L 30L = 19,375/23,250/30,000L 40L = 29,750/34,000/40,080L	50K = 5000K	PS = POWER SELECT

**BUILT FOR DURABILITY.
BUILT FOR RELIABILITY.
BUILT FOR WORK.™**

800-666-2852 | TOPAZ-USA.COM

©2023 Southwire Company, LLC. All rights reserved.
*Registered Trademark & ™Trademark of Southwire Company, LLC.



TOPAZ®



A Southwire Company

LED ROUND HIGH BAY POWER SELECTABLE

**MAX. AMBIENT
OPERATING TEMP.**

77°F

122°F

**L70 LUMEN
MAINTENANCE**

>100,000 HOURS

50,000 HOURS

ITEM SPECIFICATIONS | ORDER INFO

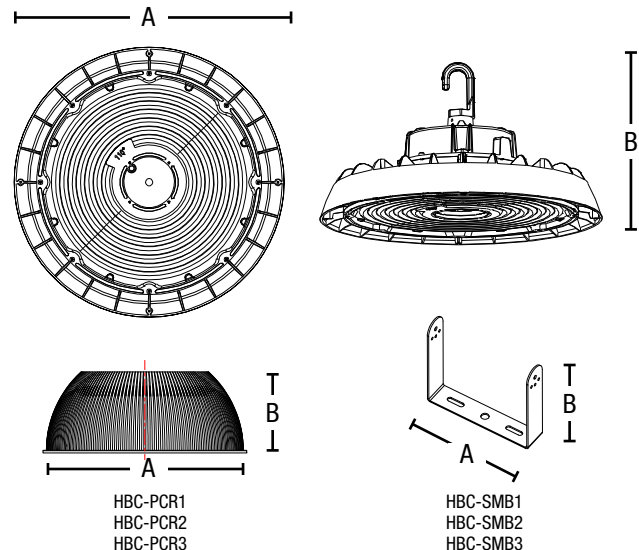
MODEL #	ORDER CODE	UPC	INPUT VOLTAGE MAX. INPUT CURRENT	POWER SELECTABLE WATTAGE	LUMENS	EFFICACY (LM/W)	CCT	HID REPLACEMENT	FLUORESCENT REPLACEMENT	TYPICAL MOUNTING HEIGHT
HBC-24L-50K-PS	77106	032886309038	20-277V 1.375/0.60A	95W	15,675	165	5000K	200W	6-LAMP 32W T8 NBF	15 TO 25 FT
				125W	20,625	165		400W	6-LAMP 32W T8 NBF	
				150W*	24,000	160		450W	6-LAMP 54W T5HO	
HBC-30L-50K-PS	77107	032886309045	120-277V 1.83/0.79A	125W	19,375	155	5000K	400W	6-LAMP 32W T8 NBF	20 TO 35 FT
				150W	23,250	155		450W	6-LAMP 54W T5HO	
				200W*	30,000	150		575W	10 LAMP T8 HBF	
HBC-40L-50K-PS	77108	032886309052	120-277V 2.20/0.95A	175W	29,750	170	5000K	575W	10 LAMP T8 HBF	30 TO 45 FT
				200W	34,000	170		700W	8-LAMP 54W T5HO	
				240W*	40,080	167		800W	10-LAMP 54W T5HO	

*default setting

DIMENSIONS | WEIGHT

MODEL #	A (IN)	B (IN)	WEIGHT (LBS)	PALLET QUANTITY (PCS)* 48" X 40" X 60"
HBC-24L-50K-PS	10.4	7.1	3.9	80
HBC-30L-50K-PS	11.8	7.2	4.6	51
HBC-40L-50K-PS	12.8	7.3	5.4	51
HBC-PCR1	16.1	16.1	1.2	90
HBC-PCR2	16.1	16.1	1.3	90
HBC-PCR3	18.9	18.9	1.9	50
HBC-SMB1	7.44	6.5	1.2	1,250
HBC-SMB2	8.26	7.32	1.6	1,040
HBC-SMB3	9.76	8.48	2.1	860

* Pallet quantities may vary



NOTES

Dimming with standard 0-10V control system or wall dimmers. Dimming complies with IEC60929 Annex E. Fixture may not be compatible with all dimmers. Dimming performance may vary based on selected dimmer. Visit www.topaz-usa.com/led-dimmer-compatibility for up-to-date dimmer compatibility information.

FIVE (5) YEAR LIMITED WARRANTY: SOUTHWIRE COMPANY, LLC. For details visit: <https://southwire.com/resources/warranties>

This device complies with Part 15 of the FCC Rules. Operation is subject to the following two conditions: (1) this device may not cause harmful interference, and (2) this device must accept any interference received, including interference that may cause undesired operation. CAN-ICES-003B/NMB-003B

Specifications are subject to change without prior notice. Replacement wattage shown depends on application and fixture.

**BUILT FOR DURABILITY.
BUILT FOR RELIABILITY.
BUILT FOR WORK.™**

800-666-2852 | TOPAZ-USA.COM

©2023 Southwire Company, LLC. All rights reserved.
*Registered Trademark & ™Trademark of Southwire Company, LLC.



LED ROUND HIGH BAY

POWER SELECTABLE

ACCESSORIES (SOLD SEPARATELY)

MODEL #	ORDER CODE	DESCRIPTION
HBC-PCR1	77111	CLEAR REFLECTOR FOR 150W ROUND HIGH BAY
HBC-PCR2	77112	CLEAR REFLECTOR FOR 200W ROUND HIGH BAY
HBC-PCR3	77113	CLEAR REFLECTOR FOR 240W ROUND HIGH BAY
HBC-SMB1	77114	SURFACE MOUNT BRACKET FOR 150W ROUND HIGH BAY
HBC-SMB2	77115	SURFACE MOUNT BRACKET FOR 200W ROUND HIGH BAY
HBC-SMB3	77116	SURFACE MOUNT BRACKET FOR 240W ROUND HIGH BAY
HBC-JBOX-PM-BL	73609	J-BOX FOR 3/4" NPT PIPE OR PENDANT MOUNT
OS-PIR-UNV	75850	OCCUPANCY SENSOR 120-277V
OS-PIR-12V	75851	OCCUPANCY SENSOR-12V
OS-PIR-BT-12V	75852	BLUETOOTH OCCUPANCY SENSOR-12V
F-LUHB/RC/G3	72725	REMOTE CONTROL FOR OCCUPANCY SENSORS (ORDER ONE PER PROJECT)
F-LUHB/EMKIT	72728	EMERGENCY BATTERY BACKUP KIT40W 120-277V, INCLUDES REMOTE PUSH TO TEST



HBC-PCR1
HBC-PCR2
HBC-PCR3



HBC-SMB1
HBC-SMB2
HBC-SMB3



HBC-JBOX-PM-BL



OS-PIR-UNV
OS-PIR-BT-12V



F-LUHB/RC/G3



F-LUHB/EMKIT

ACCESSORY COMPATIBILITY

FIXTURE MODEL #	WATTAGE	REFLECTOR	SURFACE MOUNT BRACKET
HBC-24L-50K-PS	95W	HBC-PCR1	HBC-SMB1
	125W		
	150W		
HBC-30L-50K-PS	125W	HBC-PCR2	HBC-SMB2
	150W		
	200W		
HBC-40L-50K-PS	175W	HBC-PCR3	HBC-SMB3
	200W		
	240W		

DLC INFORMATION

MODEL #	DLC I.D.	DLC CLASSIFICATION	DLC PRIMARY USE
HBC-24L-50K-PS	S-AVC5YD	PREMIUM	HIGH-BAY LUMINAIRE FOR COMMERCIAL AND INDUSTRIAL BUILDINGS
HBC-30L-50K-PS	S-TGR4C1		
HBC-40L-50K-PS	S-FOZ6HX		

MOTION SENSOR PRE-PROGRAMMED SETTINGS

MODEL #	SENSITIVITY	HOLD TIME	DAYLIGHT THRESHOLD	STANDBY DIMMING LEVEL	STANDBY DIMMING PERIOD
OS-PIR-UNV	100%	5 MIN	DISABLE	30%	60 MIN
OS-PIR-12V	100%	5 MIN	DISABLE	30%	60 MIN
OS-PIR-BT-12V	100%	1 MIN	DISABLE	30%	30 MIN

**BUILT FOR DURABILITY.
BUILT FOR RELIABILITY.
BUILT FOR WORK.™**

800-666-2852 | TOPAZ-USA.COM

©2023 Southwire Company, LLC. All rights reserved.
*Registered Trademark & ™Trademark of Southwire Company, LLC.