



Southwire™

90° LIQUIDTIGHT CONNECTORS WITH INSULATED THROAT - MALLEABLE IRON

FEATURES

- Liquidtight, raintight, oiltight
- Suitable for wet location use
- Tapered threaded male hub NPT
- Insulated throat protects conductors from abrasion damage
- Compact slim diameter with small turning radius
- Zinc electro plated for excellent durability

APPLICATION

- To secure, ground and seal liquidtight conduit to a box or enclosure
- UL listed liquidtight flexible metal conduit fittings are suitable for use in the following hazardous locations under: NEC 501-4(b), 502-4(a), (2)503-3(a) Class 1 Div.2, Class II Div.1 and 2, Class III Div.1 and 2 and are suitable for grounding in sizes 3/8" through 1-1/2" under NEC 351-1

STANDARD MATERIAL

- Malleable iron
- Steel locknut

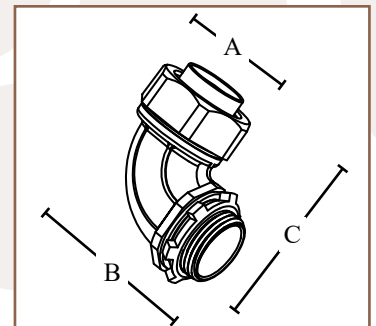
STANDARD FINISH

- Zinc plated



490S

| PART # | SIZE | INNER QTY. | MASTER QTY. | WEIGHT/ CASE (LBS.) | A | B | C |
|--------|--------------|------------|-------------|---------------------|-------|-------|-------|
| 490S | 3/8" 1/2" KO | 10 | 100 | 26 | 1.18" | 1.96" | 2.47" |
| 491S | 1/2" | 10 | 100 | 28 | 1.36" | 2.10" | 2.54" |
| 492S | 3/4" | 10 | 100 | 41 | 1.61" | 2.45" | 2.82" |
| 493S | 1" | 5 | 50 | 31 | 1.89" | 2.83" | 3.08" |
| 494S | 1-1/4" | 2 | 20 | 20 | 2.39" | 3.15" | 3.53" |
| 495S | 1-1/2" | 2 | 20 | 25 | 2.62" | 3.50" | 4.17" |
| 496S | 2" | 1 | 10 | 19 | 3.24" | 4.02" | 4.69" |
| 497S | 2-1/2" | --- | 1 | 5 | 3.89" | 6.23" | 6.74" |
| 498S | 3" | --- | 1 | 7 | 4.74" | 6.91" | 7.52" |
| 499S | 3-1/2" | --- | 1 | 9 | 5.31" | 7.57" | 7.93" |
| 500S | 4" | --- | 1 | 14 | 5.82" | 8.07" | 8.72" |



Rev. 0, 01/23

**BUILT FOR DURABILITY.
BUILT FOR RELIABILITY.
BUILT FOR WORK.™**

1-855-798-6657 | SOUTHWIRE.COM

©2023 Southwire Company, LLC. All rights reserved.
*Registered Trademark & ™Trademark of Southwire Company, LLC.