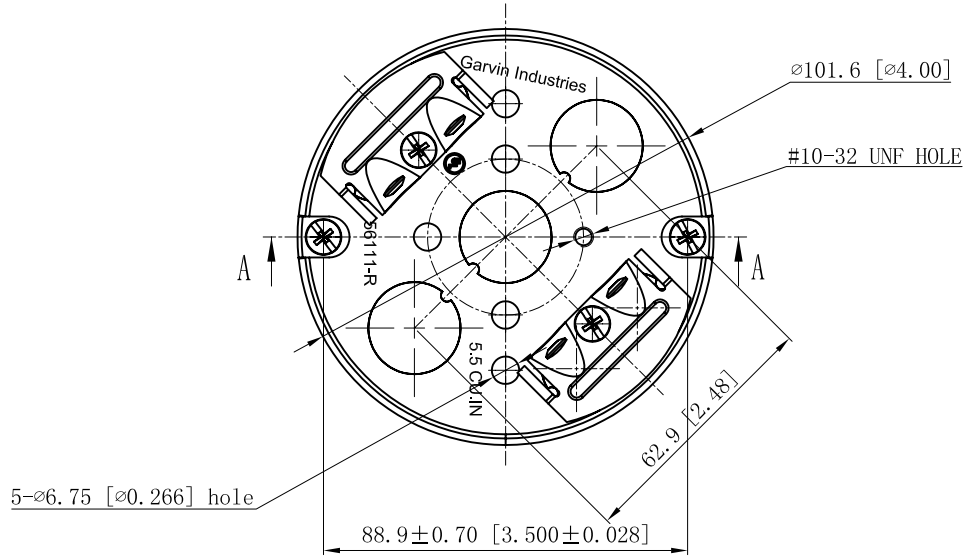
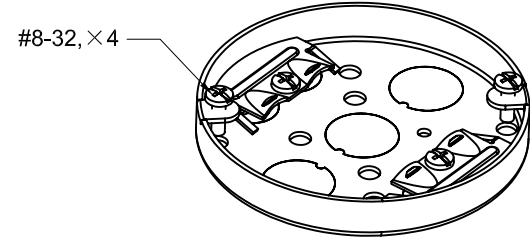
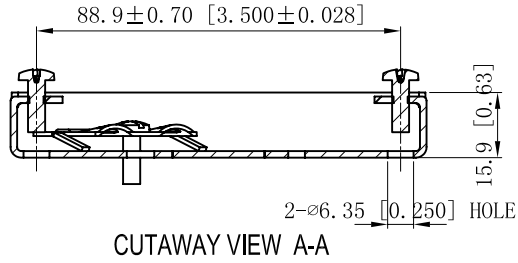


SIDES	BOTTOM
	3 1/2" KNOCKOUTS
	4 KNOCKOUTS
4 PCS 8-32x1/2 Screws Installed	
Material: Steel-0.0625"-G60 Galvanized	



DESCRIPTION
TRADE REFERENCE TERMS

STANDARD PACKING
50 PCS

This data sheet is for reference only .GARVIN INDUSTRIES reserves the right to make changes to the design without prior notice.

GARVIN INDUSTRIES		
"4" ROUND CEILING PLATES & FAN BOX		
SIZE	DWG NO.	REV
A4	56111-R	C
DATA SHEET		