

# All Aluminum Gantries

**SUMNER\***  
A Southwire Company



**5 Ton**  
**5 Metric Ton**  
**11,000 lbs**

**2 Ton**  
**2 Metric Ton**  
**4,400 lbs**

**3/4 Ton**  
**3/4 Metric Ton**  
**1,650 lbs**

*Chain hoist  
not included*

✓ Light Weight

✓ Extremely Portable

✓ Minimum Parts

✓ Quick Height Adjustment

✓ Quick Set Up & Tear Down

✓ Adjustable Span

✓ Anodized Finish

✓ Pinch Point Free



## GH 3/4T & GH2T Features

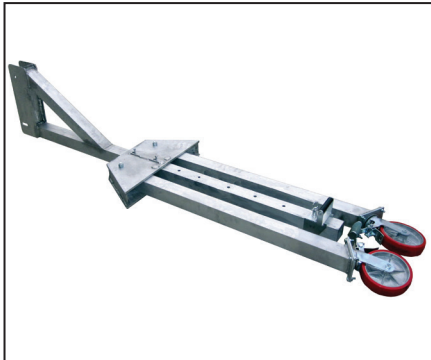
### Innovative Mast Height Adjustment



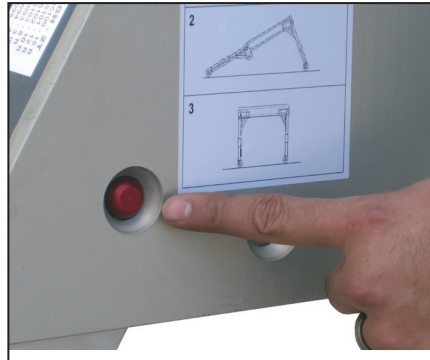
Adjust mast lifting handle with plunger pin to comfortable lifting position



Lift mast and remove quick-action mast locking pin



A-frame legs lock in closed position – no bolts



Push button leg lock release & locking



A-Frame legs lock in closed or opened position



No pinch points – spacer prevents pinched fingers

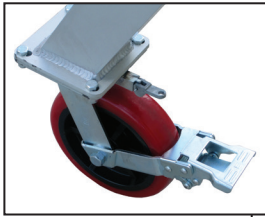


Tool-free A-Frame operation with instructions tube



Casters can be locked at 90 degree angle for easy transport

## GH 3/4T & GH2T Features continued



8" caster with foot brake & four 90 degree locking positions



Optional 10" flat free, double-wheel caster has both position and wheels lock. Available on GH3/4T only.



GH2T Beam span adjustment on 10 ft (3 m) lengths & longer

# GH5T

GANTRY SERIES

- ✓ All aluminum
- ✓ 5 metric ton / 11,000 lb
- ✓ Push button A-Frame leg lock & release
- ✓ Built in mast winch
- ✓ Caster with wheel & swivel lock



Built in mast winch raises and lowers beam with ease. Mast locking pin sets mast with no bolts.



Folding third mast leg makes moving A-Frame effortless.

## Erecting GH5T



The GH5T comes with chain & ratchet to pull A-Frame legs together.



Ratchet 1st A-Frame bolt to beam.

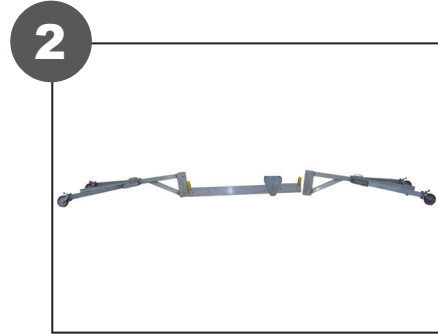


Ratchet 2nd A-Frame until it can be pushed into place.

## GH 3/4T & GH2T Gantry Assembly



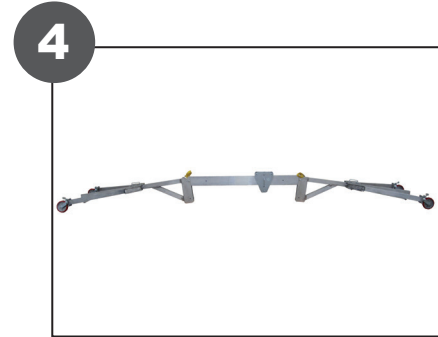
**1**  
Open  
"A" Frame



**2**  
Lay out  
beam  
& "A"  
Frames



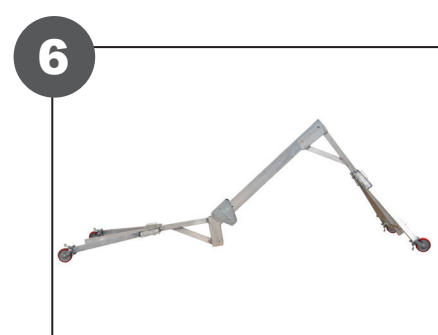
**3**  
Attach  
with one  
bolt to  
each  
"A" Frame



**4**  
Ready  
to Lift



**5**  
Raise  
the  
Frame



**6**  
Raised  
Frame

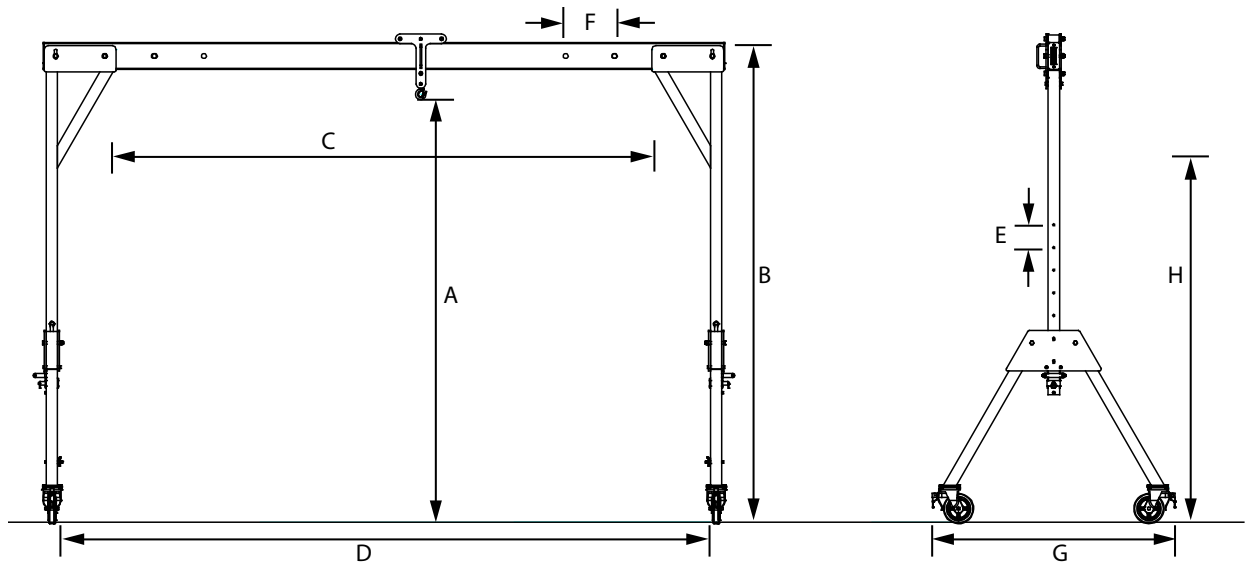


**7**  
Raise  
2nd  
"A" Frame



**8**  
Attach  
2nd bolts  
& tighten  
all

## Gantry Lift Dimensions



			A	B	C	D	E	F	G	H
			Max/Min Height to Lifting Eye	Max Height to top of Trolley	Max Working Span	Span Between Wheels	Height Adjustment	Span Adjustment	Max Width of "A" Frame	Max Height of "A" Frame
GH3/4T	785301	GH3/4T-15 (15' / 8" casters)	116"	128.75"	154" (391.2 cm)	172" (436.9 cm)	6" (15.2 cm)	9" (22 cm)	60.625" (154 cm)	100" (254 cm)
	785303	GH3/4T-12 (12' / 8" casters)	86"		118" (299.7 cm)	136" (345.4 cm)				
	785305	GH3/4T-10 (10' / 8" casters)	86" (218.4 cm)		94" (238.8 cm)	112" (284.5 cm)				
GH3/4T	785300	GH3/4T-15 (15' / 10" casters)	118"	130.5"	154" (391.2 cm)	167.5" (425.5 cm)	6" (15.2 cm)	13" (33 cm)	60.625" (154 cm)	100" (254 cm)
	785302	GH3/4T-12 (12' / 10" casters)	88"		118" (299.7 cm)	131.5" (334.0 cm)				
	785304	GH3/4T-10 (10' / 10" casters)	88" (223.5 cm)		94" (238.8 cm)	107.5" (273.1 cm)				
	785306	GH3/4T-10 (8' / 10" casters)			70" (177.8 cm)	83.5" (212.1 cm)				
GH2T	785100	GH2T-15 (15' / 10" casters)	114"	128.5"	142" (360.7 cm)	181" (459.7 cm)	6" (15.2 cm)	13" (33 cm)	60.625" (154 cm)	100" (254 cm)
	785101	GH2T-12 (12' / 10" casters)	84"		106" (269.2 cm)	144" (365.8 cm)				
	785102	GH2T-10 (10' / 10" casters)	84" (213.4 cm)		82" (208.3 cm)	120" (304.8 cm)				
	785103	GH2T-10 (8' / 10" casters)			58" (147.3 cm)	96" (243.8 cm)				
GH5T	785805	GH5T (15' Beam)	168.5"	185"	132" (335.28 cm)	172" (436.88 cm)	6" (15.2 cm)	19" (48.26 cm)	75" (190.5 cm)	184" (375.9 cm)
	785806	GH5T (12' Beam)	132.5" (336.55 cm)	146.9"	96" (243.84 cm)	144" (365.76 cm)				

Gantries come with two A-Frames with casters, Trolley, Cross Beam and attaching hardware.

	Gantry Model	Weight		Beam Part #	Beam Model	Weight	
		lbs	kg			lbs	kg
785301	GH3/4T-15 (15' / 8" casters)	270.0	122.5	785320	15'	68.5	31.0
785303	GH3/4T-12 (12' / 8" casters)	258.0	117.0	785321	12'	55.0	24.9
785305	GH3/4T-10 (10' / 8" casters)	250.0	113.4	785322	10'	46.0	20.8
785307	GH3/4T-8 (8' / 8" casters)	242.0	109.8	785323	8'	37.0	16.7
785300	GH3/4T-15 (15' / 10" wheels)	274.0	124.3	785320	15'	68.5	31.0
785302	GH3/4T-12 (12' / 10" wheels)	262.0	118.8	785321	12'	55.0	24.9
785304	GH3/4T-10 (10' / 10" wheels)	254.0	115.2	785322	10'	46.0	20.8
785306	GH3/4T-8 (8' / 10" wheels)	246.0	111.6	785323	8'	37.0	16.7
785100	GH2T-15 (15' Beam)	323.0	146.5	785150	15'	82.0	37.1
785101	GH2T-12 (12' Beam)	307.0	139.2	785151	12'	65.6	29.7
785102	GH2T-10 (10' Beam)	296.0	134.2	785152	10'	54.7	24.8
785805	GH5T-15 (15' Beam)	689.0	312.5	785815	15'	125.0	57.0
785806	GH5T-12 (12' Beam)	664.0	301.2	785816	12'	100.0	45.0

15 ft. beam has two adjustment positions.

12 ft. & 10 ft. beam has one adjustment position.

8 ft. beam has no adjustment positions.

GH5T has no adjustment positions.



Sumner Manufacturing Co., LLC

---

**USA**

7514 Alabonson Road  
Houston, Texas 77088  
phone: 281.999.6900  
fax: 281.999.6966

**CANADA**

75 Saltsman Drive, Unit 5  
Cambridge, ON N3H 4R7  
phone: 519.653.5300  
fax: 519.653.5305

**NETHERLANDS**

Midden Engweg 21  
NL-3882TS Putten  
Netherlands  
europeansales@sumner.com  
phone: +31 (0) 85 489 0284

**UNITED KINGDOM**

Unit 3 Kempton Road  
Keytec 7 Business Park  
Pershore, Worcestershire  
WR10 2TA, UK  
phone: (44) 01386 556278  
fax: (44) 01386 556776

For a full range of Welding Tools see our Welding Make-up Tools Catalog.

[www.sumner.com](http://www.sumner.com)