

NAME: LED Corn Light

ITEM #: LED150

- UL, CUL
- E39 Mogul base
- 360 degree lighting, high CRI
- IP64 Waterproof Rating
- Big heat sink
- Internal driver, input voltage AC100-277V
- New style and high efficiency wide-range input
- Long lifespan and good heat dissipation
- Direct replacement for Metal Halide. Easy installation
- Fits many different fixtures to replace traditional lamps

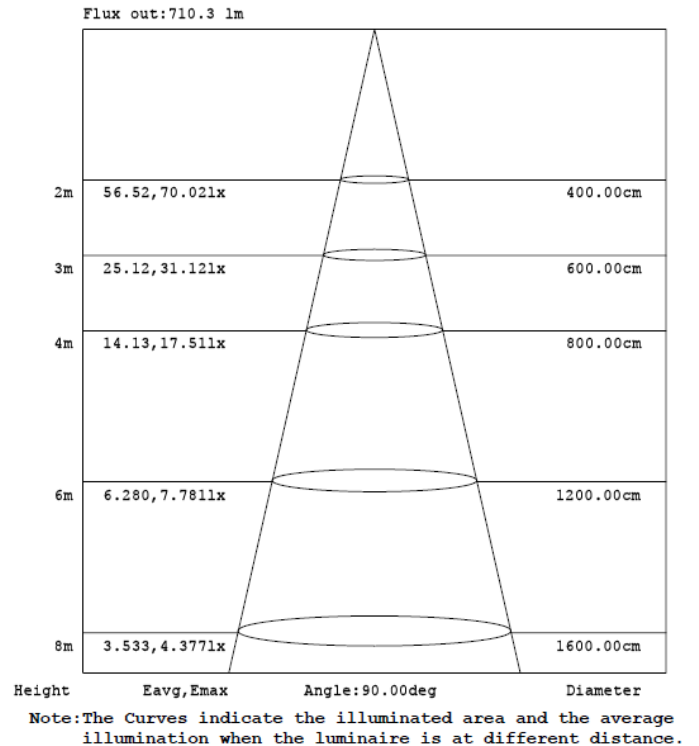
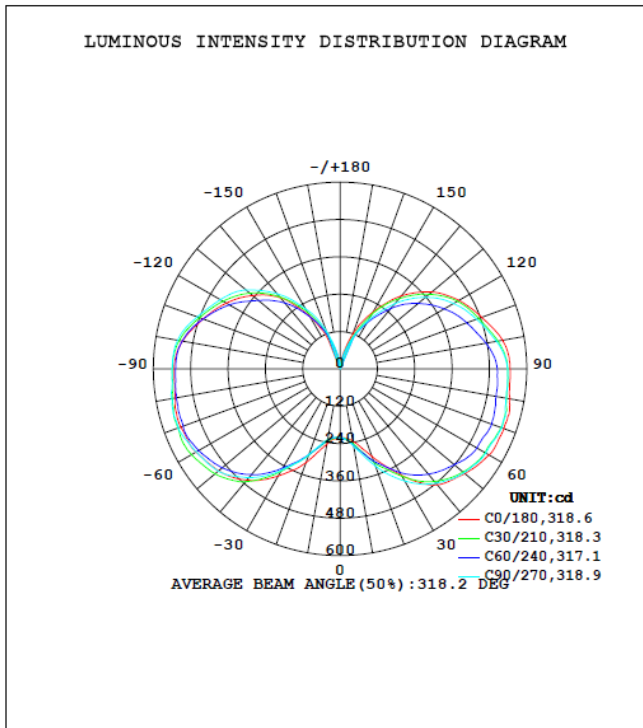


Application

Widely used in supermarkets, warehouses, garages, homes, offices, hotels, hospitals, schools, streets, gardens, etc.

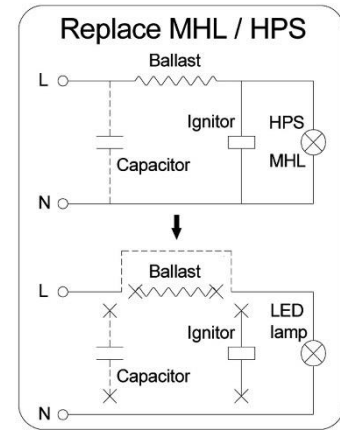
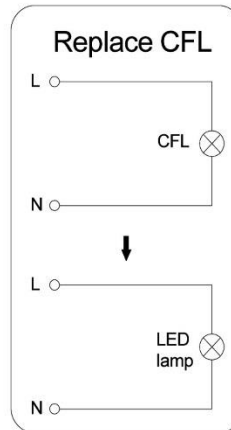
PRODUCT SPECIFICATIONS	
Product Name	LED Corn Light
Light Type	Corn Light
Item #	LED150
Dimension	4.92" (Diameter) * 13.18" (Length)
TECHNICAL CHARACTERISTICS	
Cover	Clear
Color Temperature	6500K
CRI	>80
Lumens	19500-21700
Lumen Efficacy	130-145 LM/W
Input Power	150W
Viewing Angle	360 Degrees
Input Voltage	AC100-277V
PFC	>0.9
Equivalent	400W MHL/HPS/HID
Waterproof Rating	IP64
MATERIALS	
LED Type	SMD2835
Housing	PC + AL (Fin)
Housing Color	White + Grey
OTHERS	
Operating Temperature	-20°C to 45°C
Operating Humidity	20% - 70% RH
Storage Temperature	-30°C to 80°C
Storage Humidity	10% - 75% RH
Application	Indoor/Outdoor
Safety Certification	UL, CUL
Warranty Time	5 Years

LAMP DATA		PHOTOMETRIC DATA			
Model	LED150	Imax (cd)	2399	S/MH (C0/180)	3.78
Nominal Power (W)	150	LOR (%)	100.0	S/MH (C90/270)	3.74
Rate Voltage (V)	120	Total flux	21892	n UP, DN(C0-180)	22.8, 26.6
Nominal Flux (lm)	21892	CIE Class	Diffuse	n UP, DN(C180-360)	23.7, 26.8
Lamps Inside	1	n UP (%)	46.6	CIBSE SHR NOM	2.00
Test Voltage (v)	120	N Down (%)	53.4	CIBSE SHR MAX	0.00



NOTICE FOR USER

- Please turn off power before install or change assembly parts.
- The input voltage and lamps should be matched, after connecting the power line, please make sure the wiring section is insulated.
- Make sure to remove or bypass the ballast in the fixtures before installing the lamps.
- Suitable for damp locations. Do not use with dimmers.
- Suitable for use in enclosed luminaires, min. lamp compartment dimensions: 470*270*270MM.
- Non-professionals should not install or disassemble the lamps.



TROUBLE SHOOTING

ISSUE	SUGGESTED RESOLUTION
Lamp Flickering	Turn off power and turn on again three minutes later. Call agency if the issue persists.
Lamp Not Working	Check the lamp connection to a power source. Call agency if the issue persists.