



Southwire™

30A | 60A HIGH POWER EGFPD | GFCI | ELCI

HD Pro provides protection for personnel and equipment when leakage levels have a potentially lethal ground current.



44620001-1

APPLICATIONS

Motors
Portable Conveyors
Pumping Systems
Welders
Pressure Washers

6-30MA TRIP POINT

AUTO RESET

**ENGINEERED TO TRIP WITHIN 25
MILLISECONDS**

MODEL #	ELECTRICAL RATING				ENCLOSURE COLOR	TRIP LEVEL	PROTECTION TYPE
44620001-1	480V	30A	60Hz	3Φ	TAN/GREY	6, 10, & 30 mA	EGFPD GFCI ELCI
44630001-1	480V	60A	60Hz	3Φ	TAN/GREY	6, 10, & 30 mA	EGFPD GFCI ELCI

TECHNICAL DATA	
ENDURANCE	3,000 Operations Minimum
OVERLOAD CURRENT	Six Times Rated Current
OPERATING TEMPERATURE RANGE	-20°C to 40°C
INSULATION VOLTAGE	1500 Vrms - 1 Min.
DROP OUT VOLTAGE	60% Rated Voltage - Typically
CONNECTION TYPE	2 ft Flying Leads
ENCLOSURE	NEMA 4 Polymer
POWER ON INDICATION	Lighted Indicator

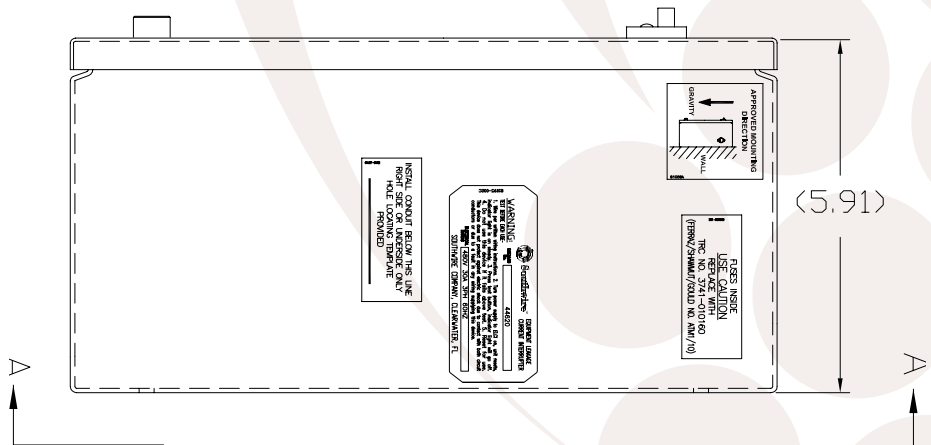
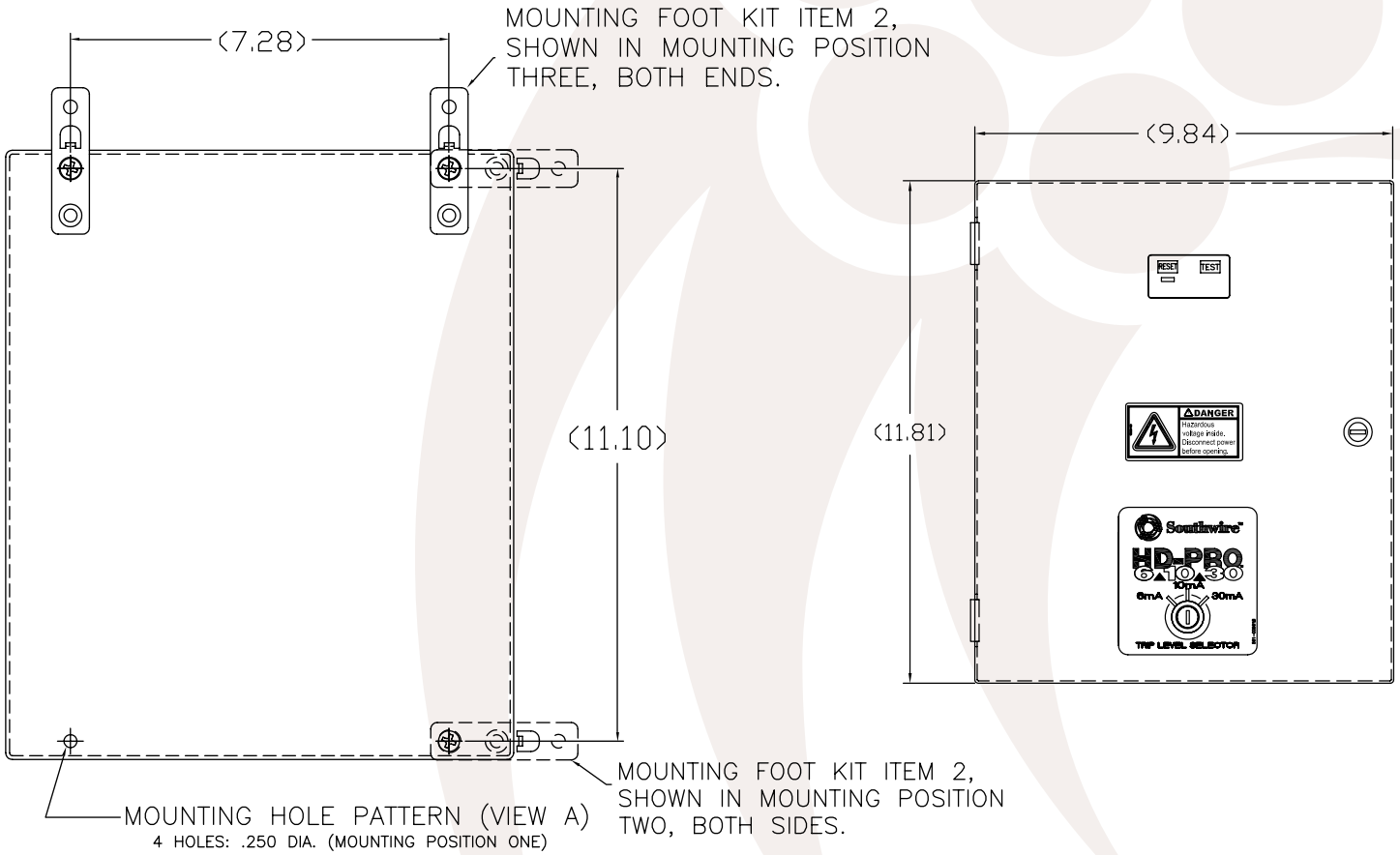
**BUILT FOR DURABILITY.
BUILT FOR RELIABILITY.
BUILT FOR WORK.™**

1-855-798-6657 | SOUTHWIRE.COM

©2023 Southwire Company, LLC. All rights reserved.
*Registered Trademark & ™Trademark of Southwire Company, LLC.



Southwire™



**BUILT FOR DURABILITY.
BUILT FOR RELIABILITY.
BUILT FOR WORK.™**

1-855-798-6657 | SOUTHWIRE.COM

©2023 Southwire Company, LLC. All rights reserved.
*Registered Trademark & ™Trademark of Southwire Company, LLC.