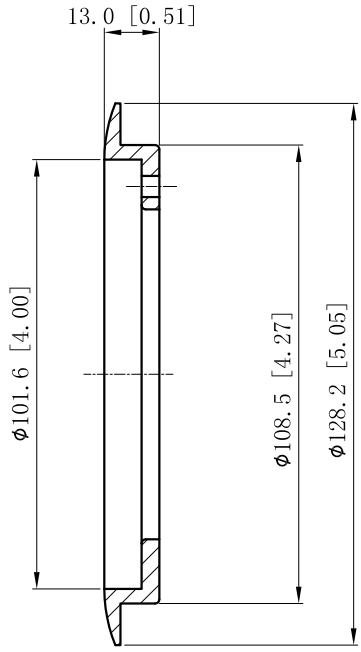
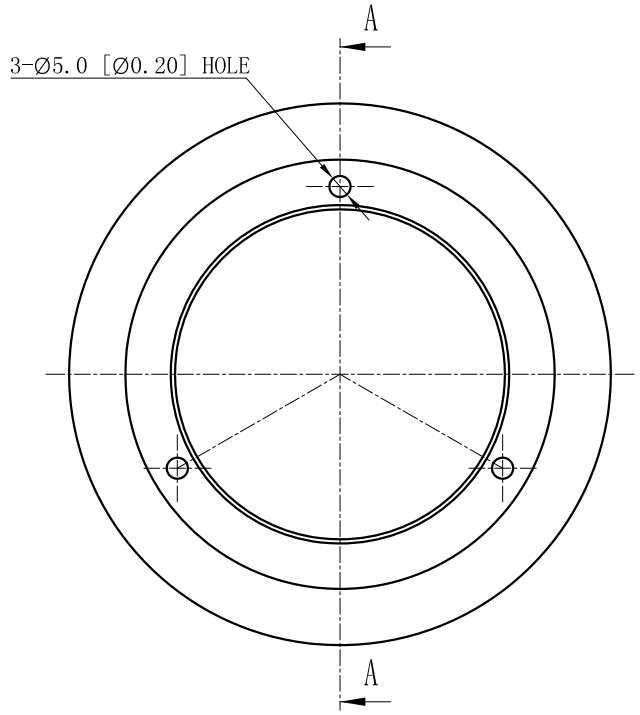


SIDES	BOTTOM
Material:Steel- Nickel-plated Brass	



CUTAWAY VIEW A-A



This data sheet is for reference only.GARVIN INDUSTRIES reserves the right to make changes to the design without prior notice.

DESCRIPTION
TRADE REFERENCE TERMS

STANDARD PACKING
40 PCS

GARVIN INDUSTRIES		
TITLE Metal Carpet Flange		
SIZE A4	DWG NO. FBCF-SS	REV
DATA SHEET		