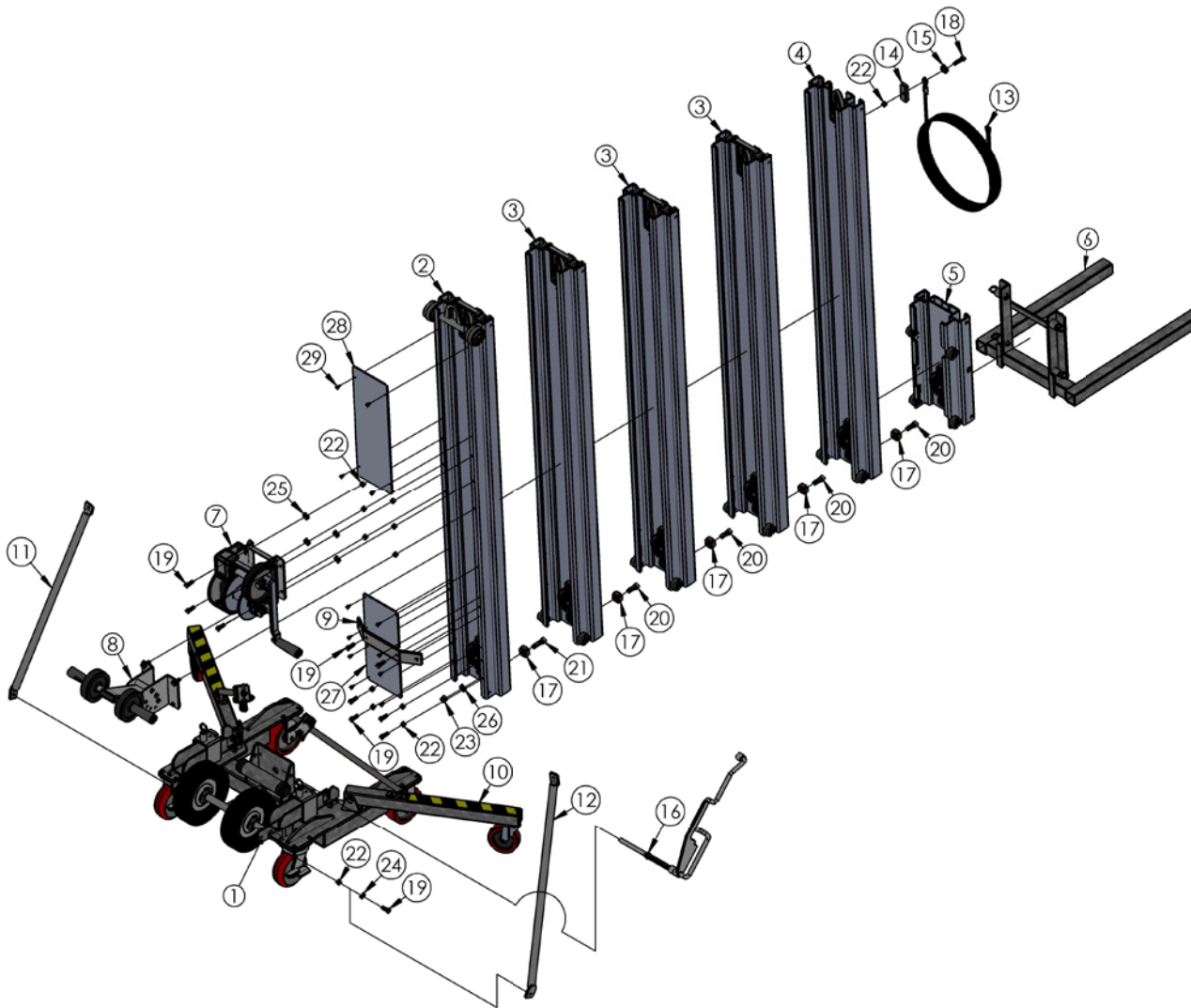
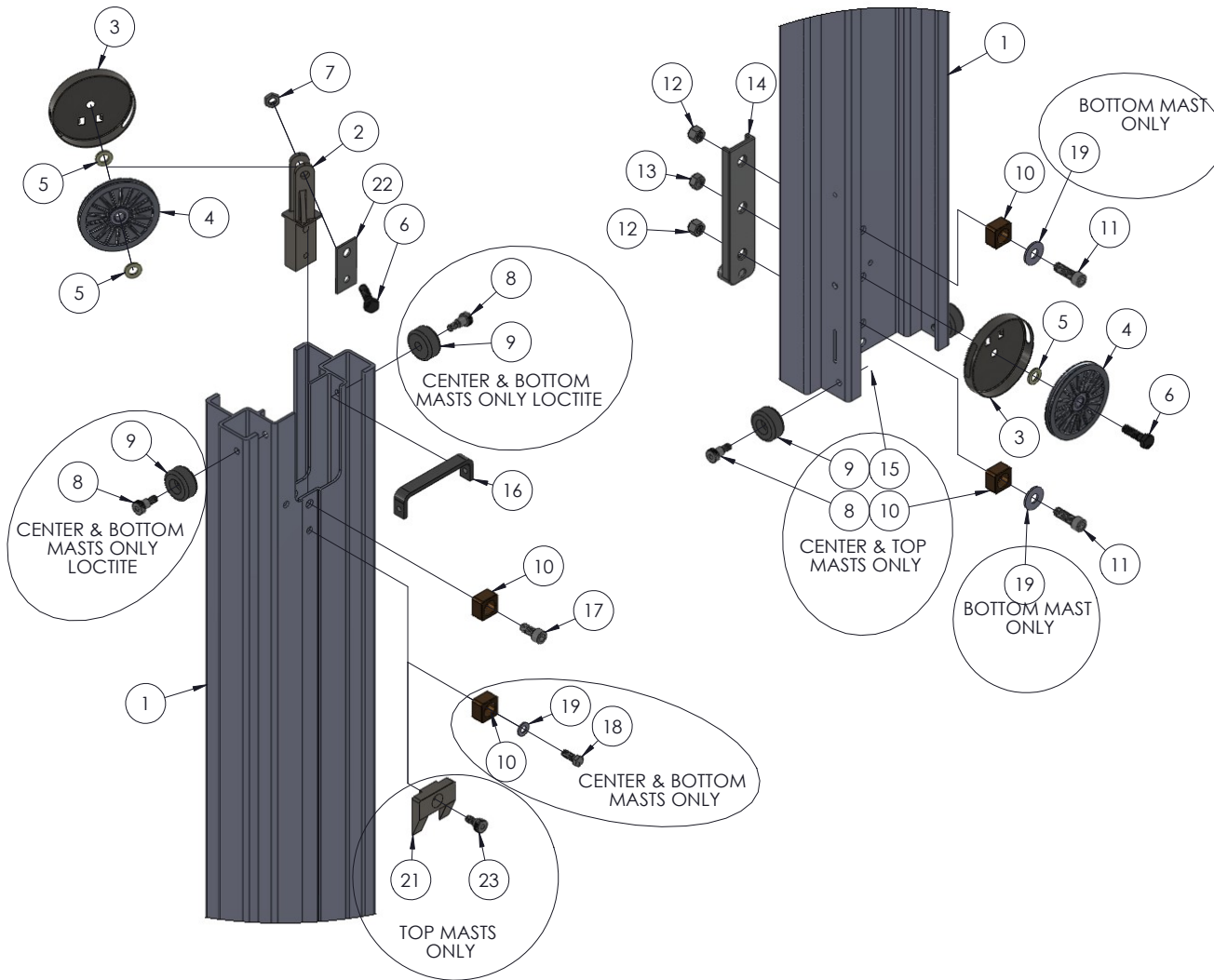


# SERIES 2500 LIFT ASSEMBLY



ITEM NO.	PART NUMBER	DESCRIPTION	QTY.
1	786541	BASE ASSEMBLY, CB LIFT GALV	1
2	783824	BTM MAST ASSEMBLY-HD	1
3	783825	CTR MAST ASSEMBLY-HD	3
3	783825	CTR MAST ASSEMBLY-HD- 2515 LIFT	1
3	783825	CTR MAST ASSEMBLY-HD- 2520 LIFT	2
3	783825	CTR MAST ASSEMBLY-HD- 2525 LIFT	3
4	783826	TOP MAST ASSEMBLY-HD	1
5	786594	CARRIAGE ASSEMBLY, CB LIFT	1
6	786564	FORK ASSEMBLY, CB LIFT GALV	1
7	785380	WINCH ASSEMBLY, 2-SPEED	1
8	786575	HANDLE ASSEMBLY, CB LIFT	1
9	783582	SPREADER PLATE ASSEMBLY	1
10	783939	OUTRIGGER ASSEMBLY 2000/2100	1
11	780819	BRACE MAST LEFT	1
12	780820	BRACE MAST RIGHT	1
13	783856	LOAD LINE ASSEMBLY, 2025 LIFT	1
13	783887	LOAD LINE ASSEMBLY, 2020 LIFT	1
13	783834	LOAD LINE ASSEMBLY, 2015 LIFT	1
13	783886	LOAD LINE ASSEMBLY, 2010 LIFT	1
14	783551	LOCK BLOCK	1
15	782910	ROPE RET. WASHER	1
16	783040	MAST HOLD DOWN BAR TYPE 2100	1
17	783575	STOP BLOCK (2510 LIFT)	2
17	783575	STOP BLOCK (2515 LIFT)	3
17	783575	STOP BLOCK (2520 LIFT)	4
17	783575	STOP BLOCK (2525 LIFT)	5
18	771248	SCREW, FHSC 3/8-16 X 2"LN	1
19	771060	SCREW, HHC 3/8-16X1.25"LN	14
20	771257	SCREW, SHC 1/2 - 13 X 1 - 1/2	4
21	771252	SCREW, SHC 1/2-13X2"LN	1
22	772355	NUT, INSERT LOCK 3/8-16	15
23	772358	NUT, INSERT JAM 1/2 -13	1
24	773040	WASHER, FLAT 3/8	4
25	773005	WASHER FLAT 3/8 RUBBER SEALING	4
26	773094	WASHER, FLAT 1/2 SAE	1
27	783916	MAST COVER ALUM BTM 2000/2100/2600	2
28	783918	MAST COVER ALUM TOP 2000/2100/2600	1
29	776055	SCREW, SM #8 X 3/4 SELF TAPPING	12

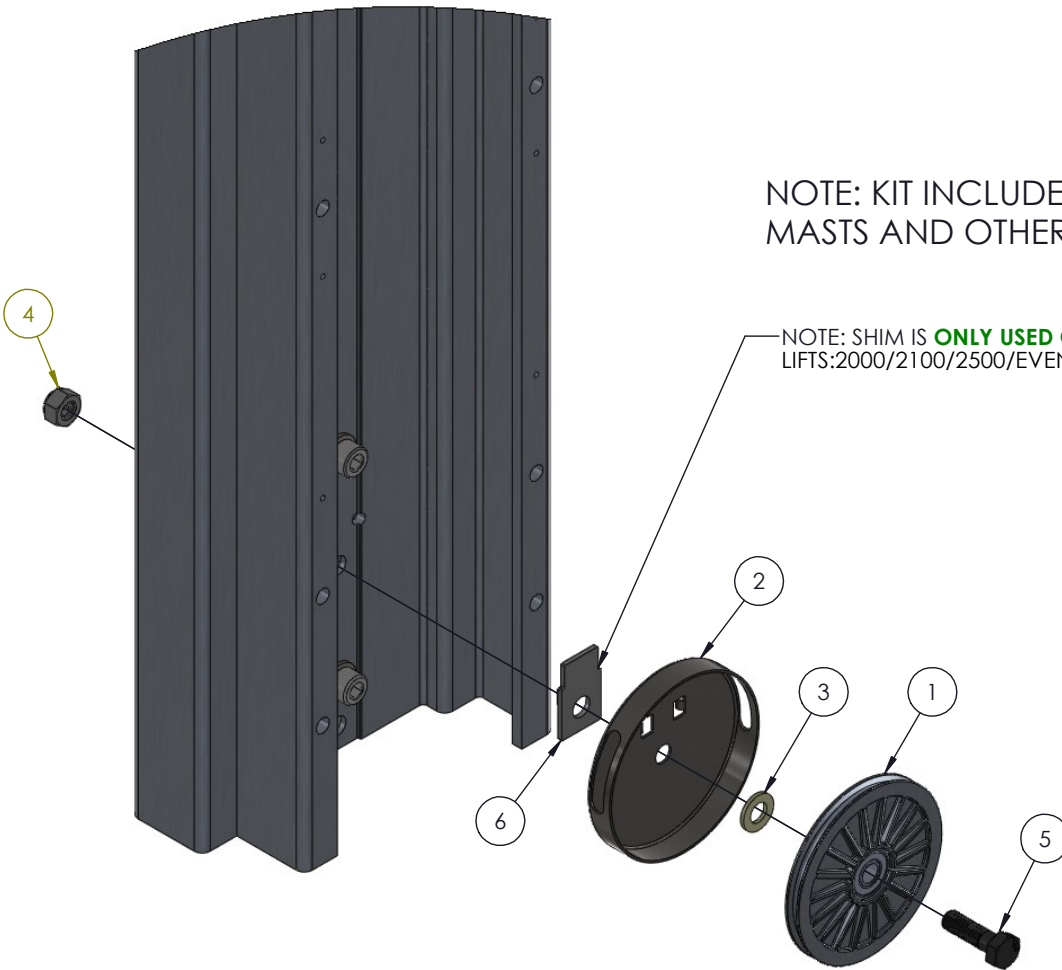
# MAST ASSEMBLY



ITEM NO.	PART NUMBER	DESCRIPTION	QT Y.
1	783808	MAST FABRICATION	2
2	783489	UPPER PULLEY BRACKET, 2600 SERIES	1
3	783536	PULLEY GUARD	2
4	783921	PULLEY ASSEMBLY	2
5	773108	WASHER, FLAT 7/16" GRADE 8	3
6	771166	M12-1.75 x 40MM HI-STRENGTH 10.9 GRADE	2
7	772505	NUT, INSERT JAM M12	1
8	771350	SCREW, SHOULDER 1/2 X 1/2	4
8	771350	SCREW, SHOULDER 1/2 X 1/2 (TOP QTY 2)	2
8	771350	SCREW, SHOULDER 1/2 X 1/2 (CENTER QTY 4)	4
8	771350	SCREW, SHOULDER 1/2 X 1/2 (BOTTOM QTY 2)	2
9	783540	MAST ROLLER (TOP QTY 2)	2
9	783540	MAST ROLLER (CENTER QTY 4)	4
9	783540	MAST ROLLER (BOTTOM QTY 2)	2
10	783575	STOP BLOCK (TOP 2)	2
10	783575	STOP BLOCK (CENTER 4)	4
10	783575	STOP BLOCK (BOTTOM 2)	2
11	771257	SCREW, SHC 1/2 - 13 X 1 - 1/2	2
12	772357	NUT, INSERT LOCK 1/2 - 13	2
13	772800	NUT, INSERT LOCK 12MM	1
14	783478	BACK PLATE WELDMENT	1
15	772350	NUT, INSERT JAM 3/8 - 16 (TOP QTY 2)	2
15	772350	NUT, INSERT JAM 3/8 - 16 (CENTER QTY 2)	2
16	783649	TOP REINFORCEMENT BRACKET (CENTER QTY 1)	1
16	783649	TOP REINFORCEMENT BRACKET (BOTTOM QTY 1)	1
17	771258	SCREW, SHC 1/2-13 X 1	1
18	771107	SCREW, HHC 3/8-16 X 1	1
19	773060	WASHER, FLAT 1/2 USS	2
20	773022	WASHER, FLAT 3/8 SAE HARDENED (CENTER QTY 1)	1
20	773022	WASHER, FLAT 3/8 SAE HARDENED ( BOTTOM QTY 1)	1
21	783694	STOP BLOCK WEDGE	1
22	783484	PLATE, TOP PULLEY MOUNT 2600	1
23	771339	SCREW SHOULDER 1/2 X 1/4	1
24	779070	LOWER PULLEY KIT (NOT PICTURED)	1
25	783924	UPPER PULLEY KIT (NOT PICTURED)	1

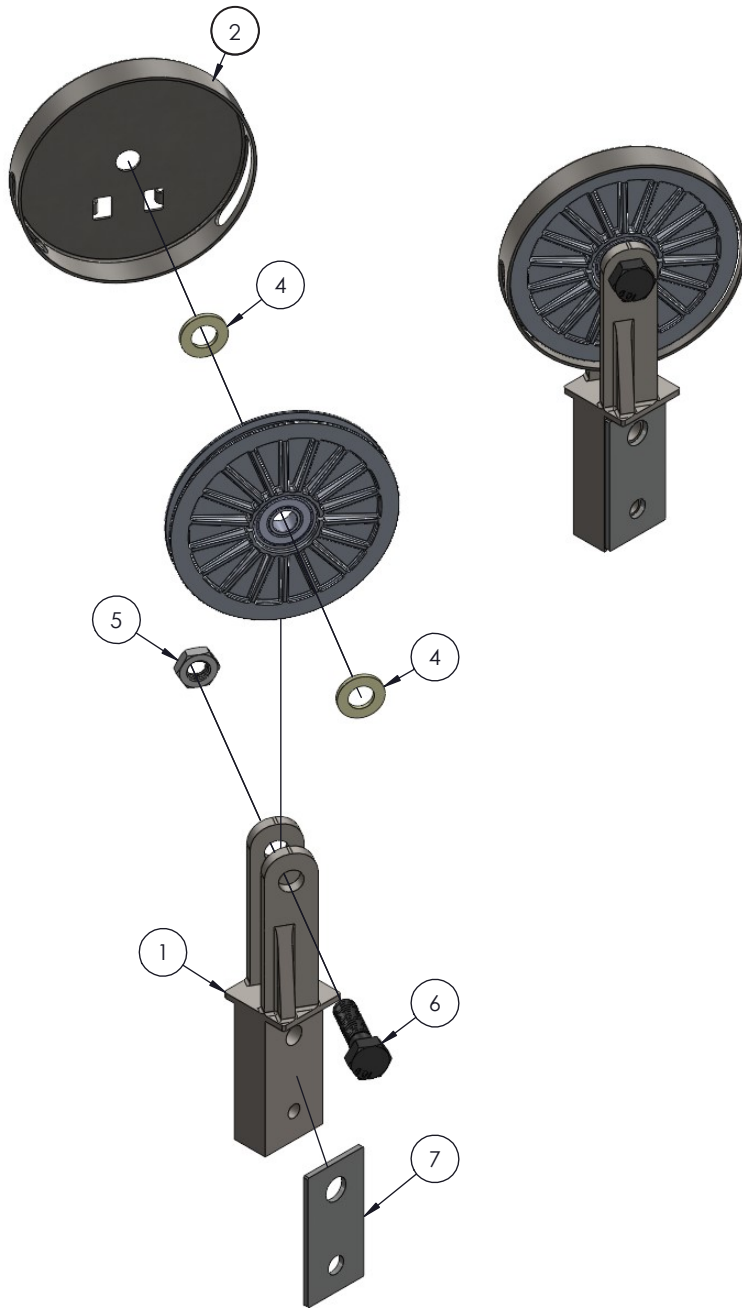
# LOWER PULLEY KIT ASSEMBLY (779070)

NOTE: KIT INCLUDES PARTS 1,2,3,4,5.  
MASTS AND OTHER HARDWARE FOR ASSEMBLY REFERENCE ONLY.



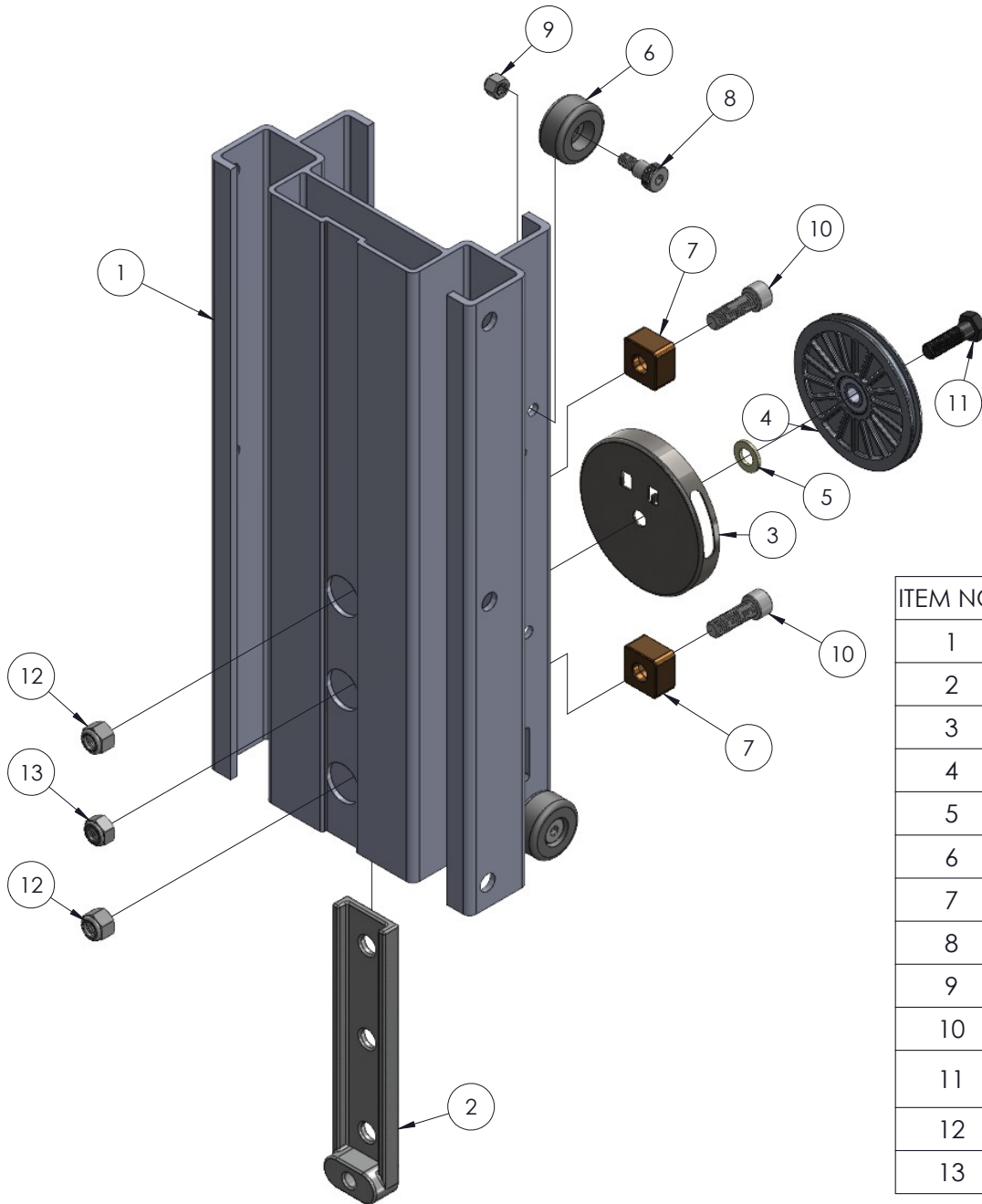
ITEM NO.	PART NUMBER	DESCRIPTION	QTY.
1	783921	PULLEY ASSEMBLY	1
2	783536	PULLEY GUARD	1
3	773108	WASHER, FLAT 7/16" GRADE 8	1
4	772505	NUT, INSERT JAM M12	1
5	771166	High-Strength Class 10.9 Steel Hex Head Screw	1
6	783069	SHIM, 2600 PULLEY GUARD	1

# UPPER PULLEY KIT ASSEMBLY (783924)



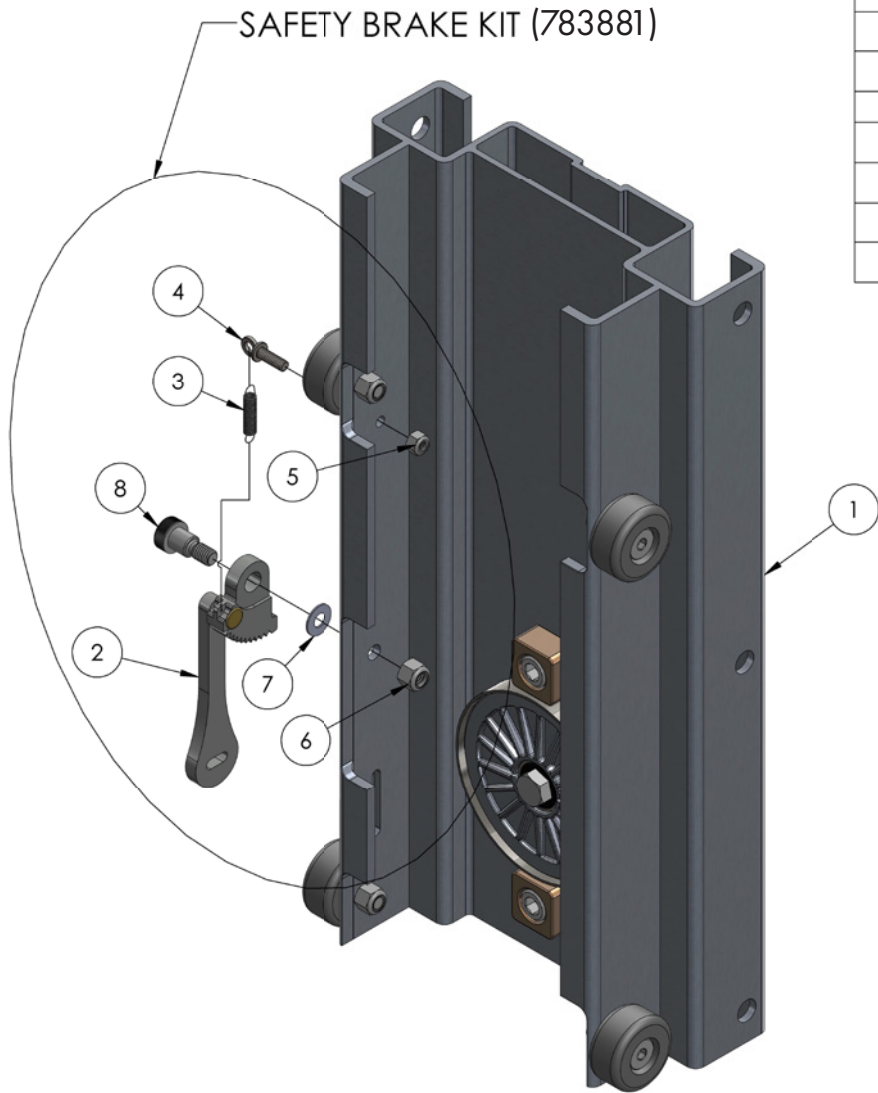
ITEM NO.	PART NUMBER	DESCRIPTION	QTY.
1	783489	UPPER PULLEY BRACKET, 2600 SERIES	1
2	783536	PULLEY GUARD	1
3	783921	PULLEY ASSEMBLY	1
4	773108	WASHER, FLAT 7/16" GRADE 8	2
5	772505	NUT, INSERT JAM M12	1
6	771166	High-Strength Class 10.9 Steel Hex Head Screw	1
7	783484	PLATE, TOP PULLEY MOUNT 2600	1

# CARRIAGE ASSEMBLY (783533)



ITEM NO.	PART NUMBER	DESCRIPTION	QTY.
1	783534	CARRIAGE	1
2	783478	BACK PLATE WELDMENT	1
3	783536	PULLEY GUARD	1
4	783921	PULLEY ASSEMBLY	1
5	773108	WASHER, FLAT 7/16" GRADE 8	1
6	783540	MAST ROLLER	4
7	783575	STOP BLOCK	2
8	771350	SCREW, SHOULDER 1/2 X 1/2	4
9	772350	NUT, INSERT JAM 3/8 - 16	4
10	771257	SCREW, SHC 1/2 - 13 X 1 - 1/2	2
11	771166	M12-1.75 x 40MM HI-STRENGTH 10.9 GRADE	1
12	772357	NUT, INSERT LOCK 1/2 - 13	2
13	772800	NUT, INSERT LOCK 12MM	1

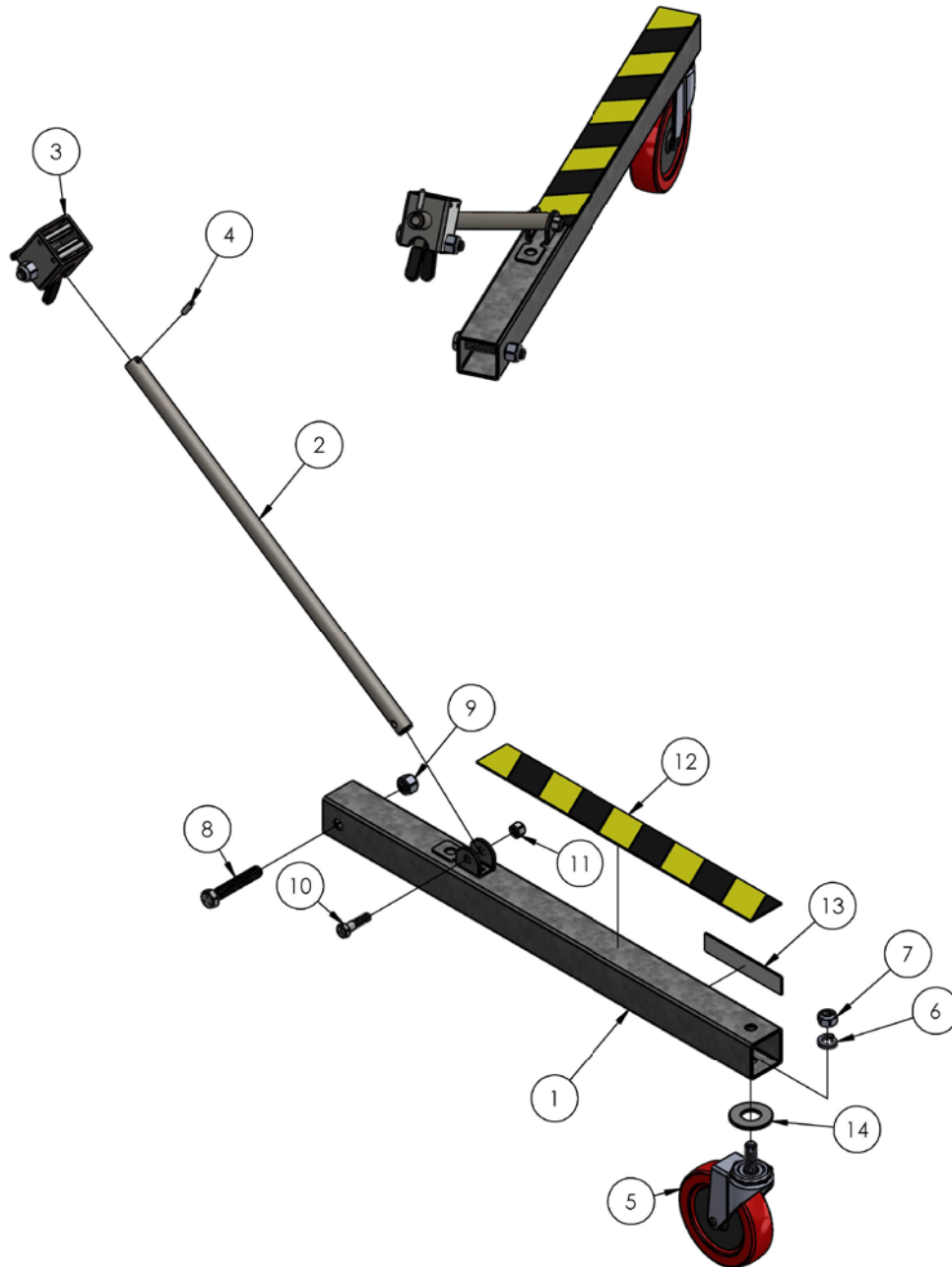
# MAST BRAKE KIT ASSEMBLY (783881)



ITEM NO.	PART NUMBER	DESCRIPTION	QTY.
1	783533	CARRIAGE ASSEMBLY ( <b>NOT INCLUDED</b> )	NA
2	783529	SAFETY BRAKE ASSEMBLY	1
3	783530	BRAKE SPRING	1
4	779900	SCREW, ADJUSTING (OHIO ES2112) EYE BOLT	1
5	772076	NUT, INSERT LOCK 1/4-20	1
6	772350	NUT, INSERT JAM 3/8 - 16	1
7	773042	WASHER, FLAT 5/16	1
8	771350	SCREW, SHOULDER 1/2 X 1/2	1

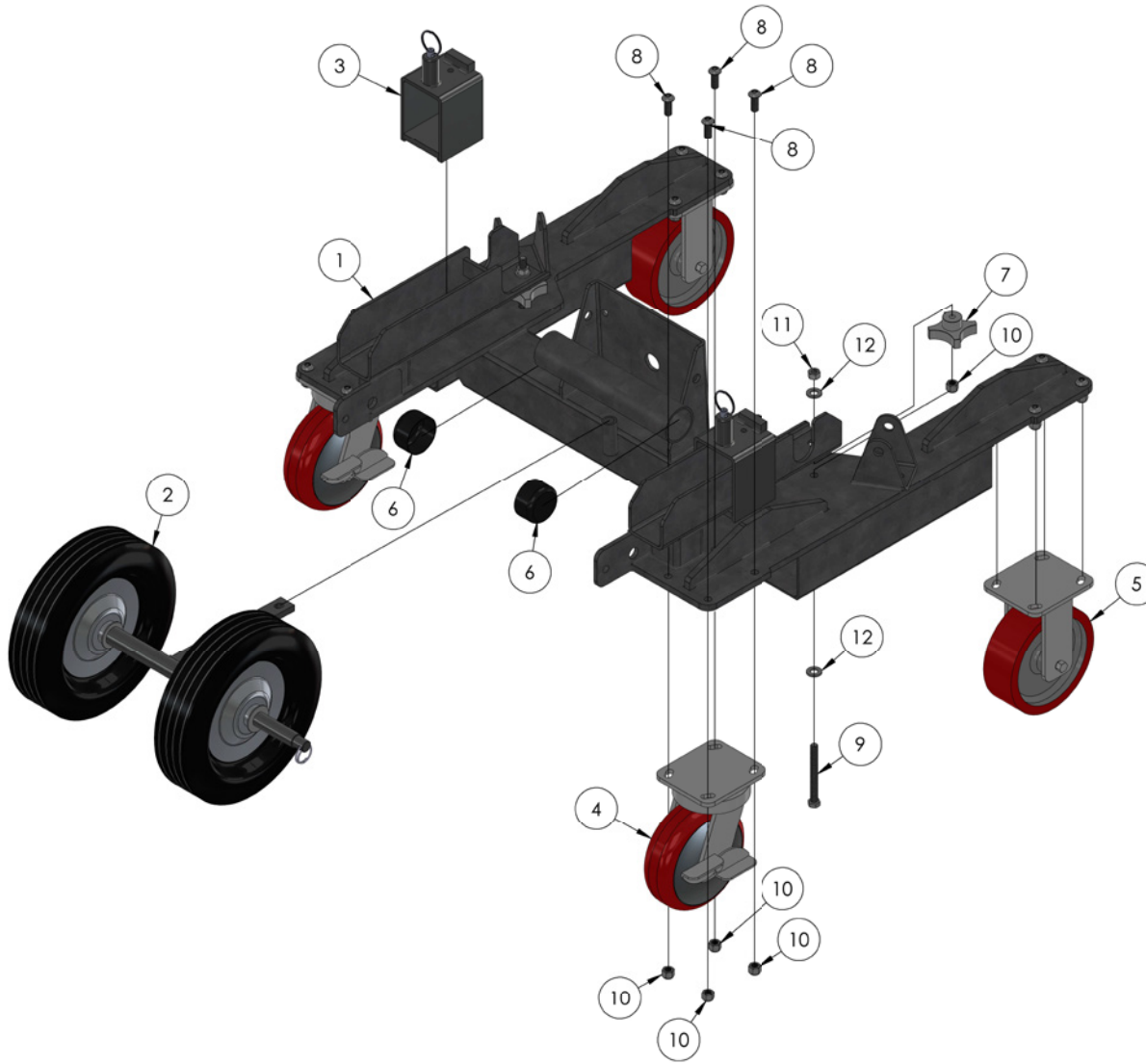


# OUTRIGGER ASSEMBLY (783939)



ITEM NO.	PART NUMBER	DESCRIPTION	QTY.
1	783495	LEG WELDMENT, OUTRIGGER	2
2	783938	OUTRIGGER SUPPORT TUBE, 2500	2
3	783940	OUTRIGGER LOCK ASSEMBLY	2
4	774080	PIN ROLL 3/16 X 1.0" LN	2
5	779002	CASTER, 125 X 32 12MM STEM	2
6	773590	WASHER, LOCK 1/2	2
7	772801	NUT, HEX 12MM ZINC PLATED	2
8	771142	SCREW, HHC 1/2-13 X 3"	2
9	772358	NUT, INSERT JAM 1/2 -13	2
10	771090	SCREW, HHC 3/8-16 X 1.5"	2
11	772350	NUT, INSERT JAM 3/8 - 16	2
12	778352	TAPE, 2" B/Y CAUTION STRIPE	2
13	778348	LABEL, LOWER STABILIZER LEG	2
14	773091	WASHER, FLAT 7/8" USS PLATED	2

# BASE ASSEMBLY (786541)

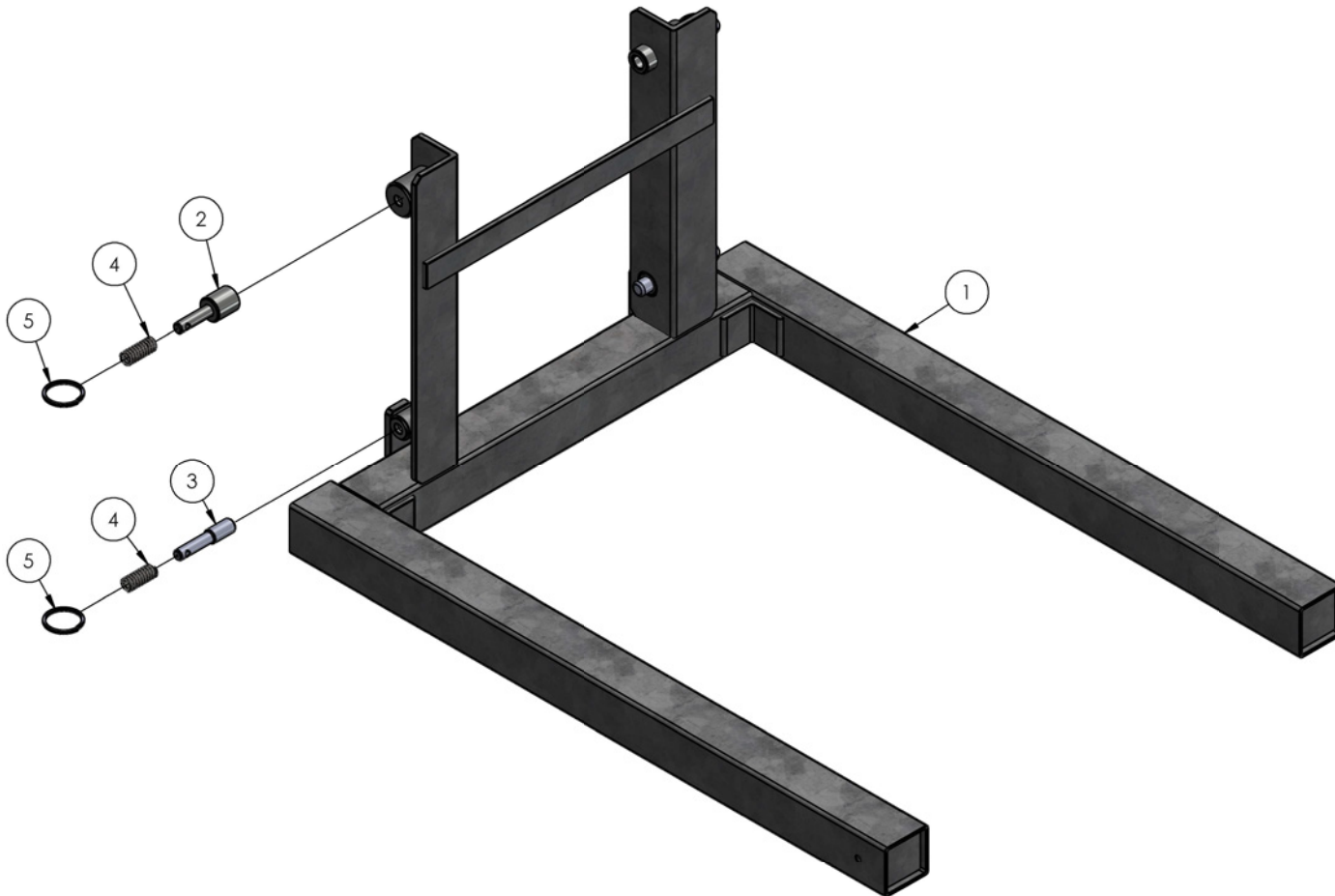


ITEM NO.	PART NUMBER	DESCRIPTION	QTY.
1	786543	BASE WELDMENT, CB LIFT GALVANIZED	1
2	786570	10" WHEEL KIT, CB LIFT	1
3	784820	LEG LOCK ASSEMBLY 2400 LIFT	2
4	779038	CASTER, 6" SWIVEL	2
5	779039	CASTER, 6" RIGID	2
6	779905	CAP, 2" OD TUBE, BLACK	2
7	784115	KNOB, 3/8-16 TH'D	2
8	771266	SCREW, BHC 3/8-16 X 1	16
9	771094	SCREW, HHC 3/8-16 X 3-1/2 FULL TH'D	2
10	772350	NUT, INSERT JAM 3/8 - 16	18
11	772085	NUT, HEX 3/8-16	2
12	773093	WASHER, FLAT 3/8 SAE	4

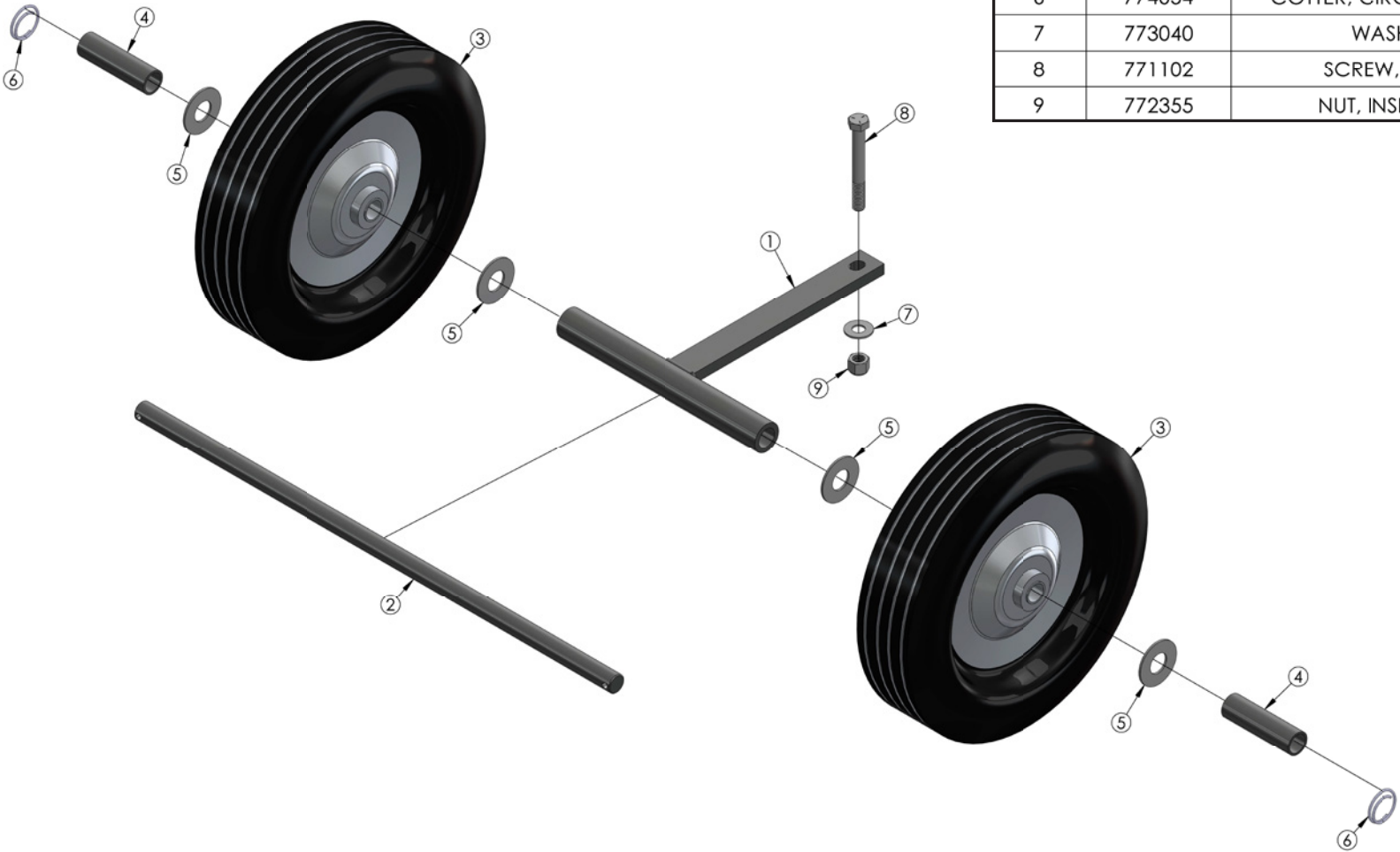


# FORK ASSEMBLY (786564)

ITEM NO.	PART NUMBER	DESCRIPTION	QTY.
1	786567	FORK WELDMENT, 2000/2100 LIFT GALV	1
2	786599	PLUNGER, CB LIFT	2
3	782510	PLUNGER	2
4	776212	SPRING, #DWC - 042 - G - 9	4
5	775110	SPLIT RING 1-1/4" NICKEL PLATED	4

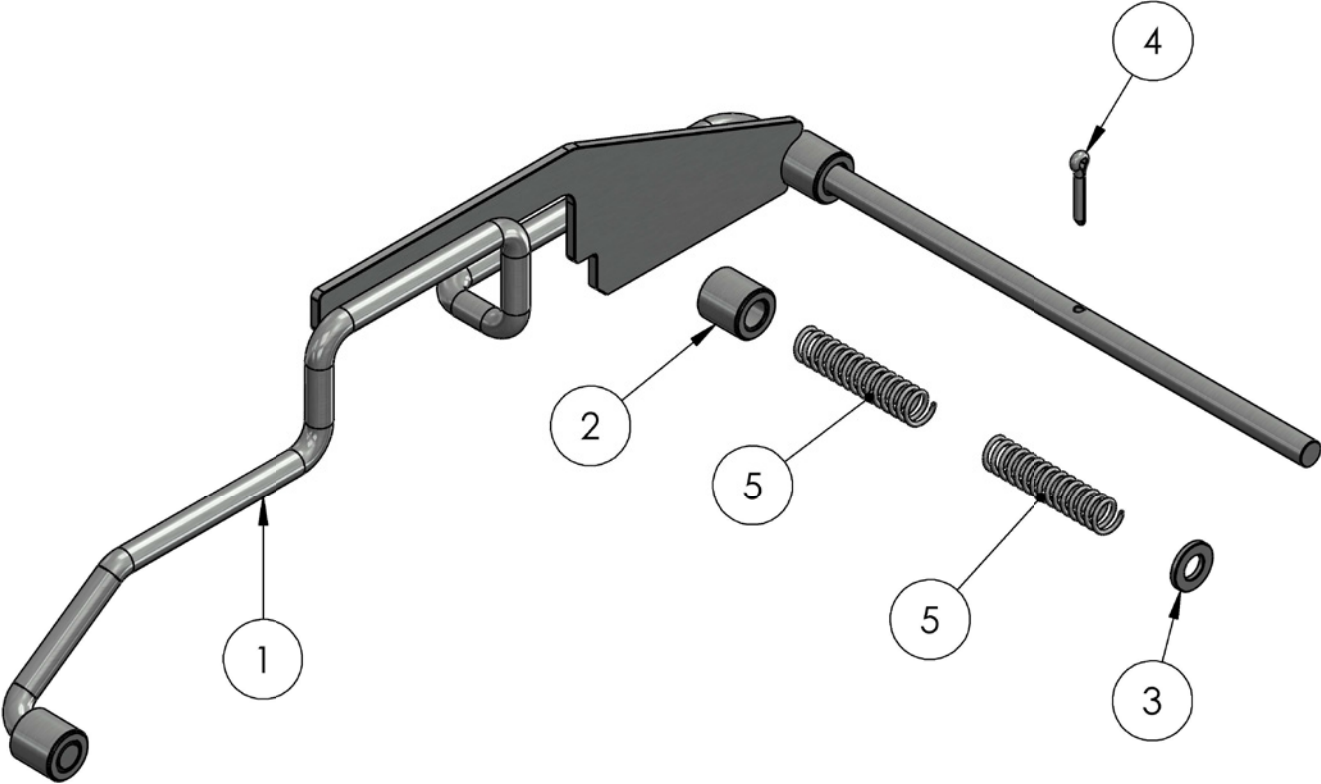


# 10 IN. WHEEL KIT ASSEMBLY (786570)



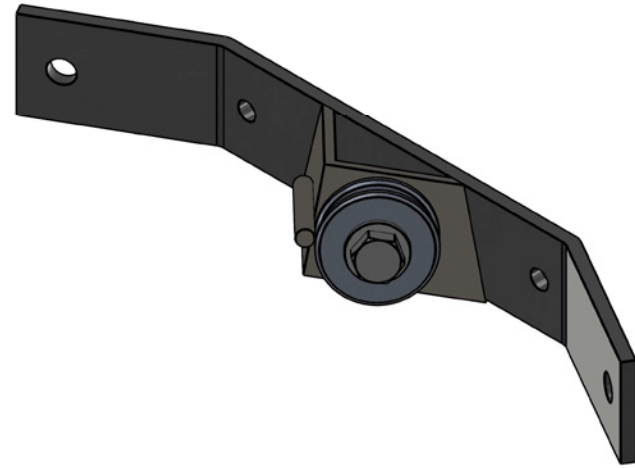
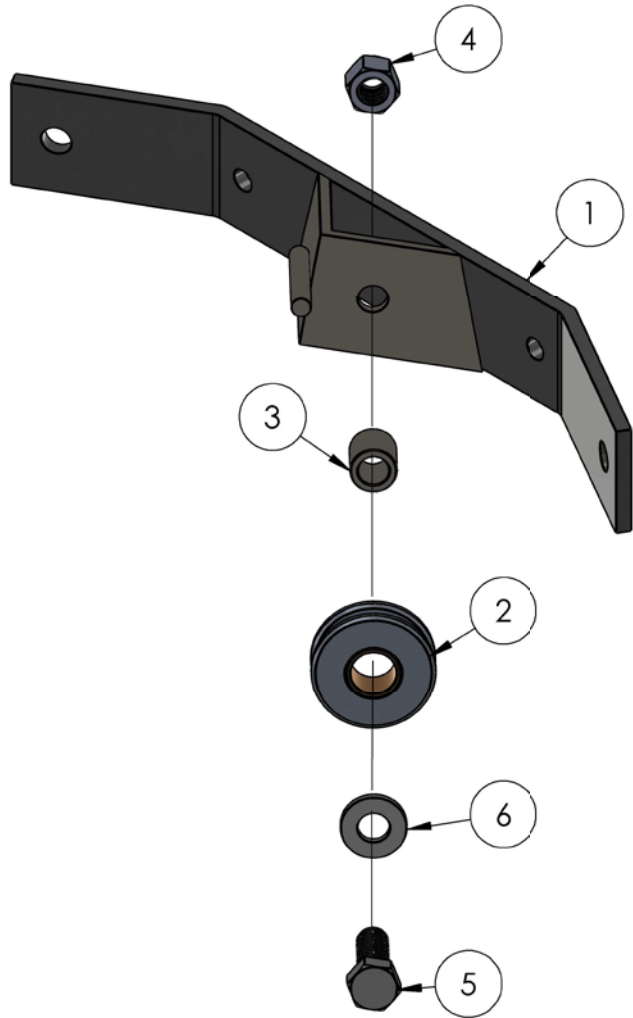
ITEM NO.	PART NUMBER	DESCRIPTION	QTY.
1	786571	AXLE SUPPORT WELDMENT, CB LIFT	1
2	786574	AXLE, 10" WHEEL KIT, CB LIFT	1
3	779011	WHEEL, 10" RUBBER TIRE	2
4	774020	SPACER, BUTTITE 5/8 X 2-3/4	2
5	773051	WASHER, FLAT 5/8 USS	4
6	774054	COTTER, CIRCLE Z/P 0.072 X 1.125"	2
7	773040	WASHER, FLAT 3/8	1
8	771102	SCREW, HHC 3/8-16 X 3	1
9	772355	NUT, INSERT LOCK 3/8-16	1

# MAST HOLD DOWN ASSEMBLY (783040)



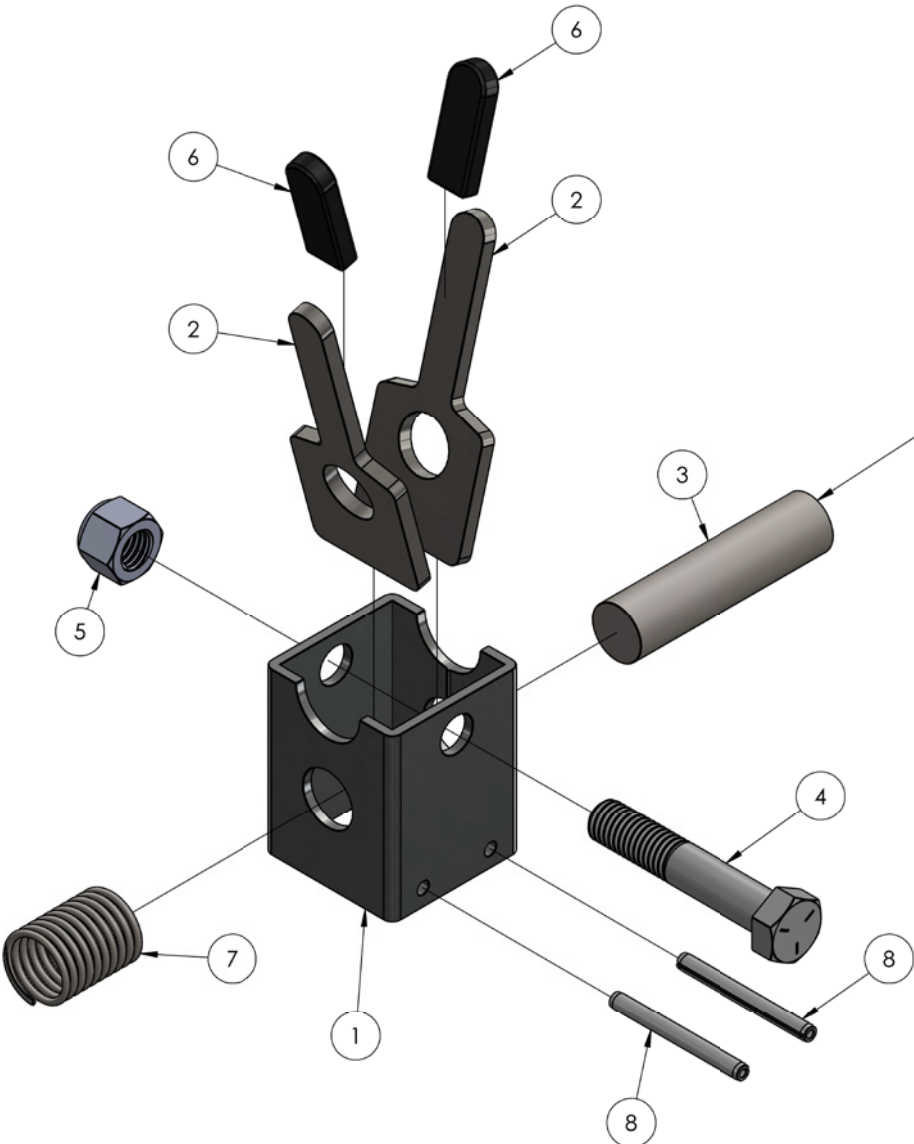
ITEM NO.	PART NUMBER	DESCRIPTION	QTY.
1	783041	MAST HOLD DOWN DEVICE WELDMENT	1
2	783044	MAST HOLD DOWN SPACER	1
3	773096	WASHER, FLAT M12	1
4	774051	PIN, COTTER 0.125 X 0.75"	1
5	776216	SPRING, CENTURY #71912S	2

# SPREADER PLATE ASSEMBLY (783582)



ITEM NO.	PART NUMBER	DESCRIPTION	QTY.
1	783581	SPREADER PLATE WELDMENT	1
2	780025	SHEAVE, RAB-222 (2"") Z-22	1
3	782960	ROLLER SHAFT, CARR.715/720	1
4	772358	NUT, INSERT JAM 1/2 -13	1
5	771120	SCREW, HHC 1/2-13 x 1.5" LN	1
6	773094	WASHER, FLAT 1/2 SAE	1

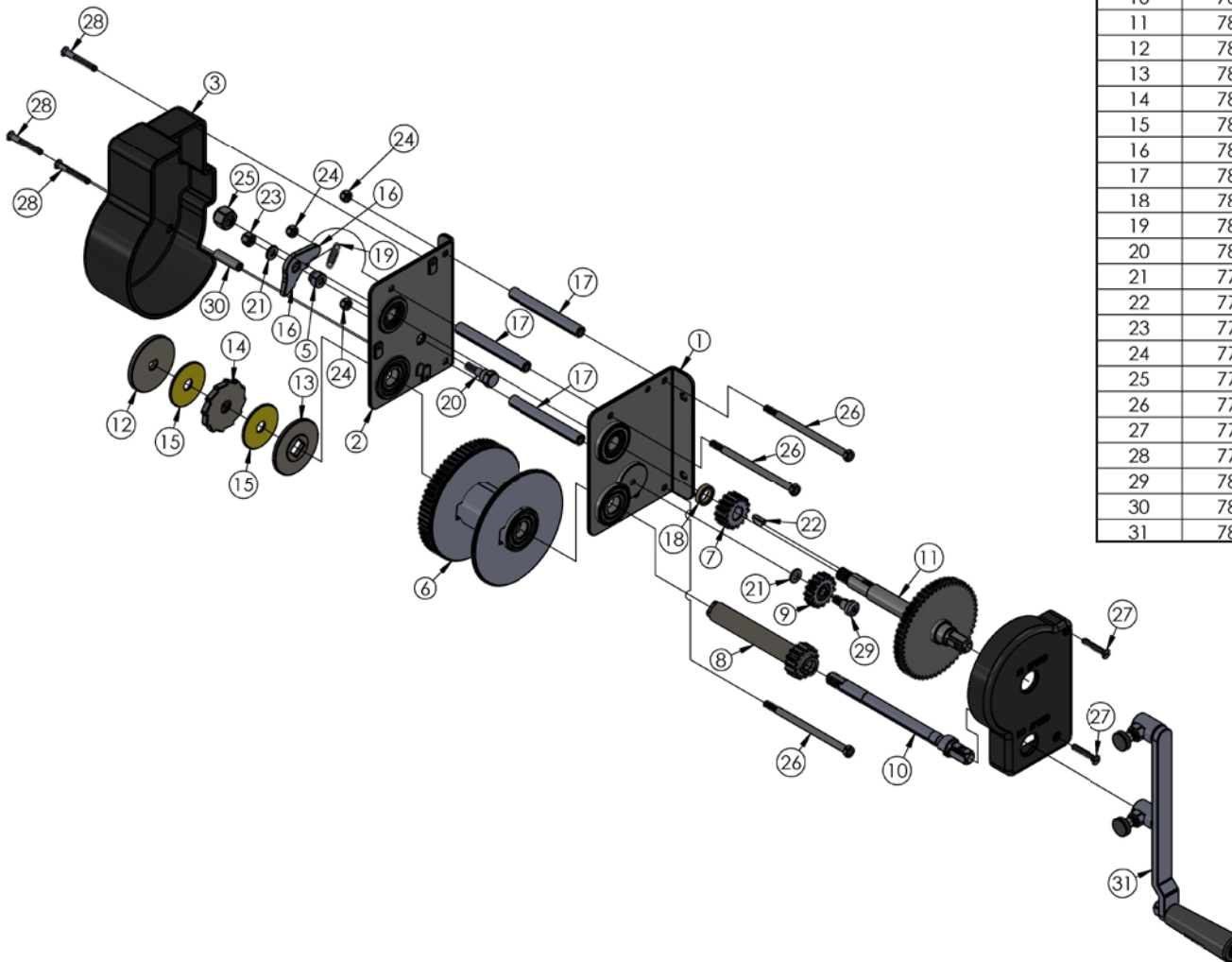
# OUTRIGGER LOCK ASSEMBLY (783940)



OUTRIGGER SUPPORT TUBE STUB LOCKS ASSEMBLY IS INSTALLED TO SUPPORT THE ASSEMBLY DURING SHIPMENT AND IS TO BE DISCARDED BEFORE INSTALLATION.

ITEM NO.	PART NUMBER	DESCRIPTION	QTY.
1	783941	OUTRIGGER LOCK TUBE	1
2	783942	OUTRIGGER LOCK FINGER	2
3	783944	OUTRIGGER SUPPORT TUBE STUB	1
4	771141	SCREW, HHC 1/2-13X2.75" LN	1
5	772358	NUT, INSERT JAM 1/2 -13	1
6	779938	CAP, RECT RD END 3/16X0.5X2.0"	2
7	776221	CENTURY SPRING #2952	1
8	774084	PIN, SPRING 3/16X2.0"	2

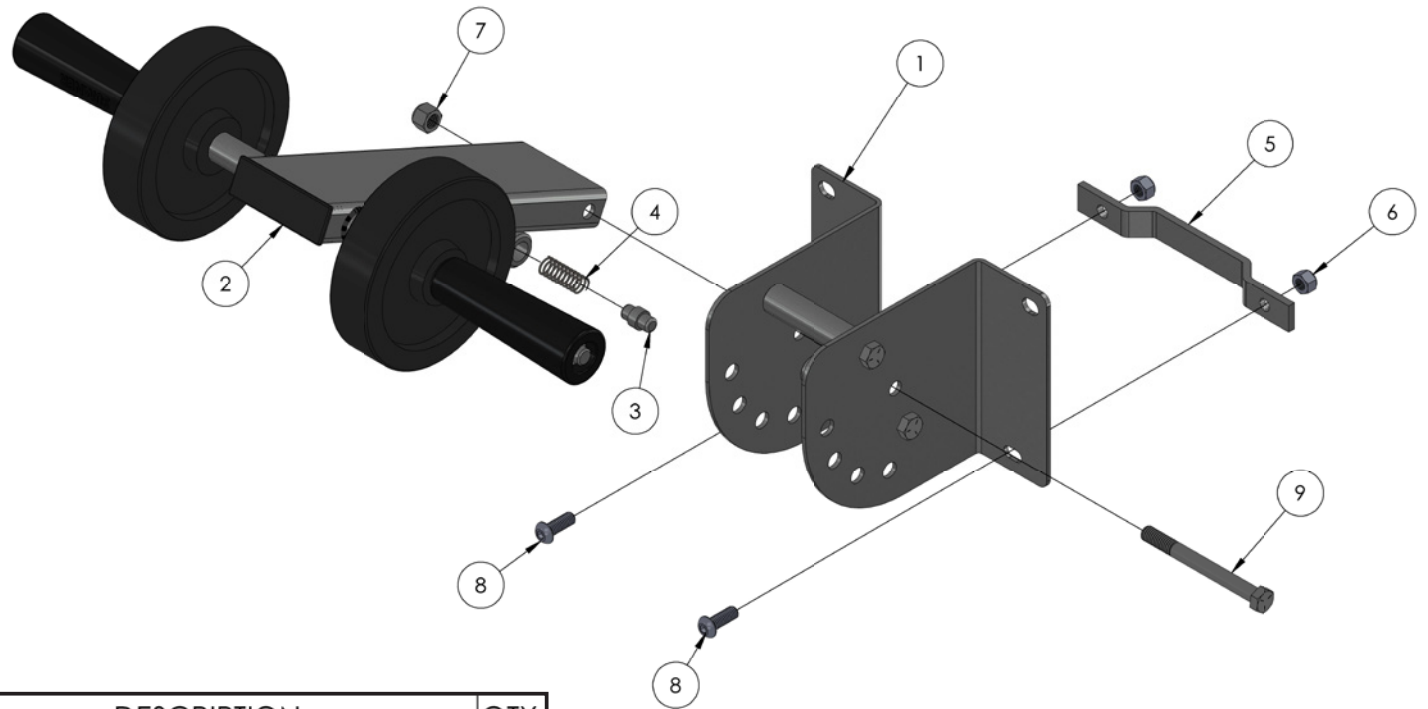
# WINCH ASSEMBLY (785380)



ITEM NO.	PART NUMBER	DESCRIPTION	QTY.
1	785381	SIDE PLATE ASSEMBLY -LH, WINCH 2-SPEED	1
2	785382	SIDE PLATE ASSEMBLY -RH, WINCH 2-SPEED	1
3	785395	WINCH COVER, RH WINCH 2-SPEED	1
4	785396	WINCH COVER, LH WINCH 2-SPEED	1
5	780251	RATCHET DOG SPACER WJ-55	1
6	780202	LOAD DRUM FINAL WLDMNT/ ASSY	1
7	780204	LOAD DRUM PINION WJ-5	1
8	784501	SHAFT, LOW SPEED PINION, SQ END	1
9	780207	IDLER GEAR ASSEMBLY	1
10	785393	LOW SPEED DRIVE SHAFT, 2-SPEED WINCH	1
11	785391	HI-SPD DRIVE SHAFT WLDMT, 2-SPEED WINCH	1
12	780212	PLATE, OUTER BRAKE DISC, NL WINCH	1
13	784498	PLATE, INNER BRAKE DISC, NL WINCH	1
14	780214	BRAKE RATCHET WJ-15	1
15	786955	UNIVERSAL BRAKE DISC	2
16	780217	LOAD RATCHET DOG WJ-20	1
17	780221	SPREADER BAR WJ-24	3
18	780225	LOAD DRUM PINION SPACER WJ-28	1
19	783621	RATCHET DOG SPRING	1
20	780612	RATCHET STUD CS-49	1
21	773042	WASHER, FLAT 5/16	2
22	774075	KEY #606 3/16" X 3/4"	1
23	772350	NUT, INSERT JAM 3/8 - 16	1
24	772502	NUT, INSERT JAM 5/16-18	3
25	772375	NUT, INSERT JAM 5/8 -16	2
26	771051	SCREW, HHC 5/16-18 X 6 GRD-2	3
27	771286	SCREW, FHM 1/4-20 X 1-3/4	2
28	771290	SCREW, FHSC 1/4-20 X 2.25"LN	3
29	780496	SHOULDER SCREW MODIFIED CS-51	1
30	785376	SPACER, 2 SPEED WINCH COVER	1
31	785398	WINCH HANDLE ASSEMBLY, 2 SPEED CB LIFT	1

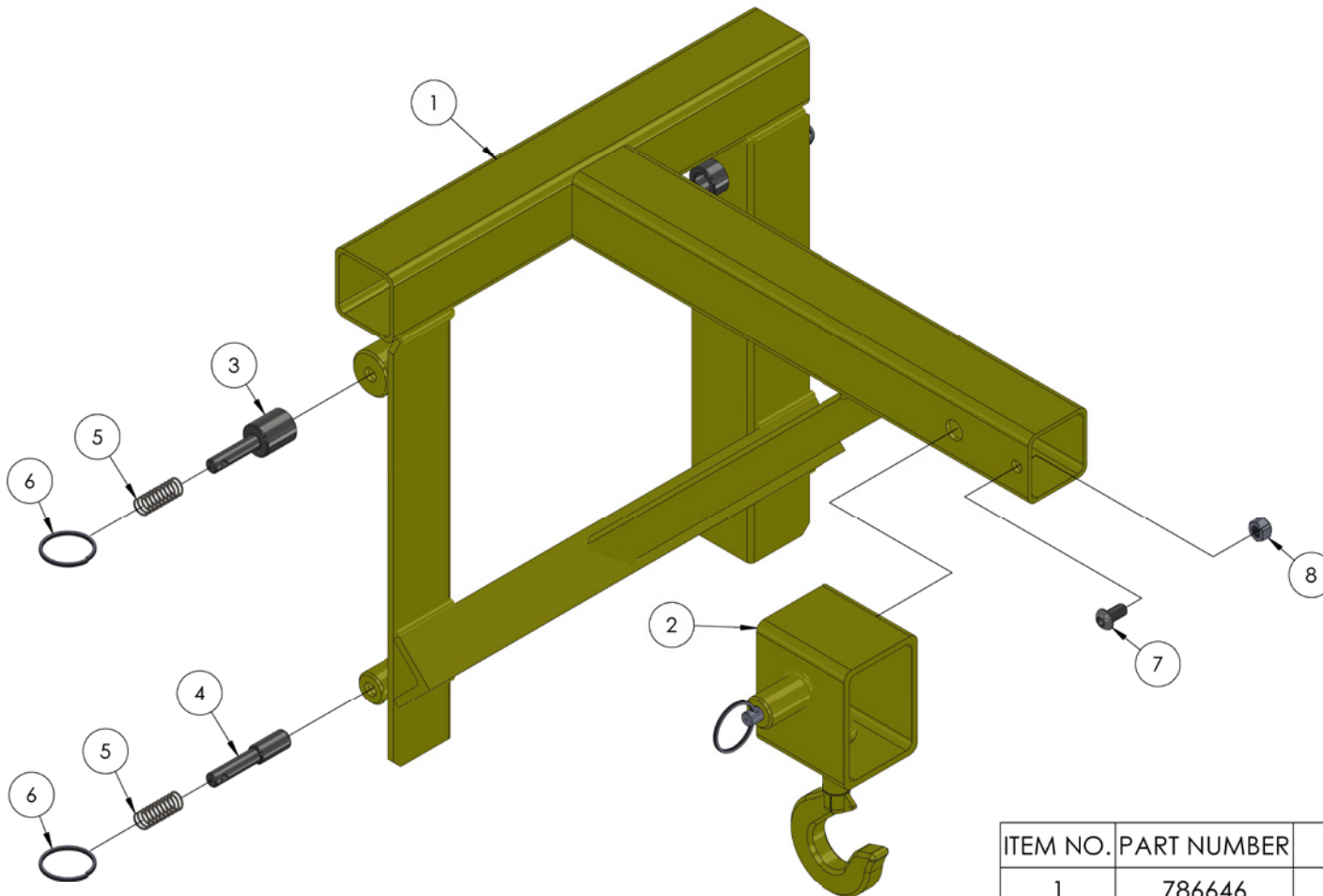


# HANDLE ASSEMBLY (786575)



ITEM NO.	PART NUMBER	DESCRIPTION	QTY.
1	786576	HANDLE MOUNTING PLATE ASSEMBLY	1
2	786580	WHEEL HANDLE ASSEMBLY	1
3	783509	PIN DETENT	1
4	776212	SPRING, #DWC - 042 - G - 9	1
5	786696	STRAP FOR HANDLE ASSEMBLY	1
6	772502	NUT, INSERT JAM 5/16-18	2
7	772350	NUT, INSERT JAM 3/8 - 16	1
8	771239	SCREW, BHC 5/16-18 X 7/8"	2
9	771098	SCREW, HHC 3/8-16 X 3-3/4	1

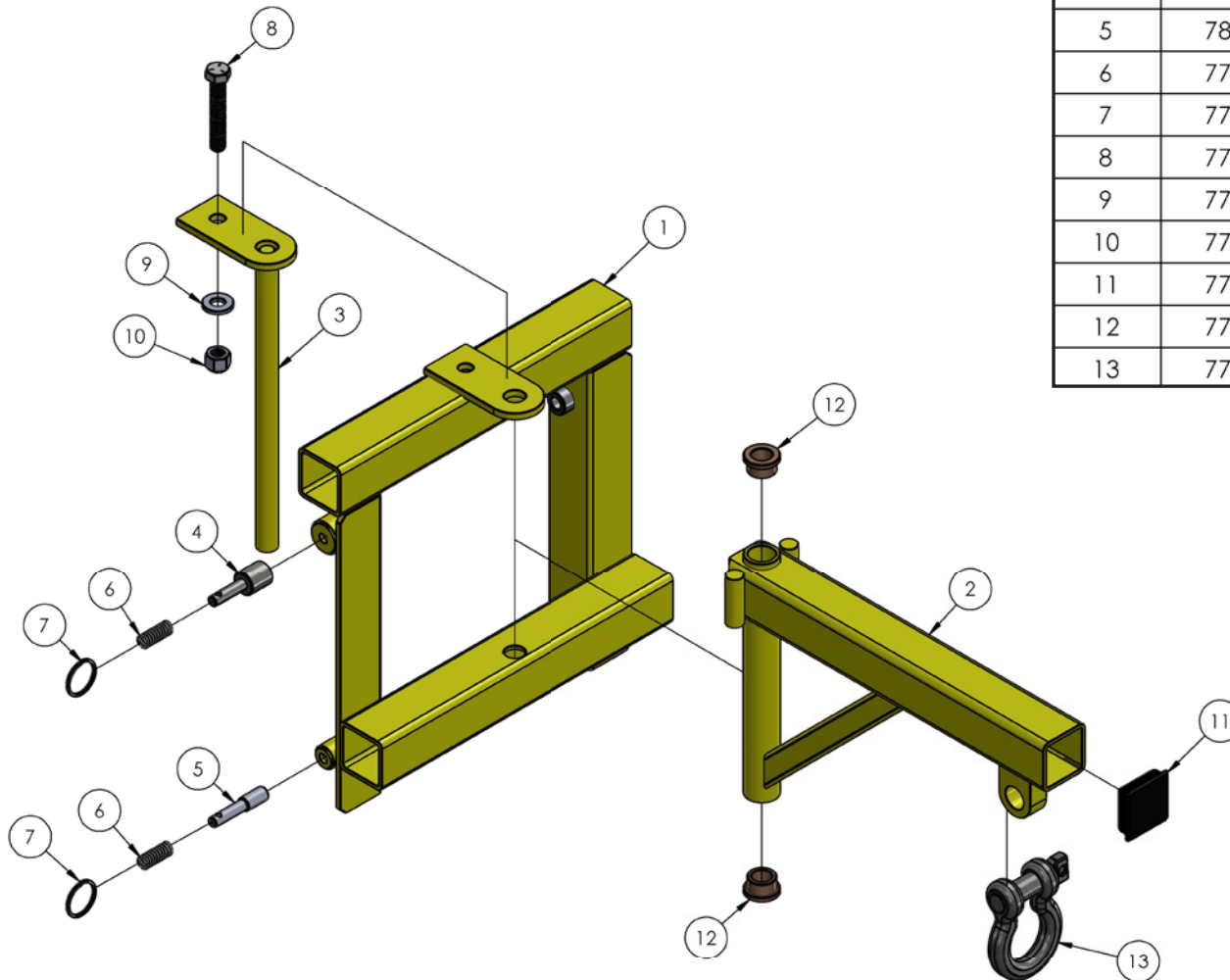
# BOOM ASSEMBLY (786645)



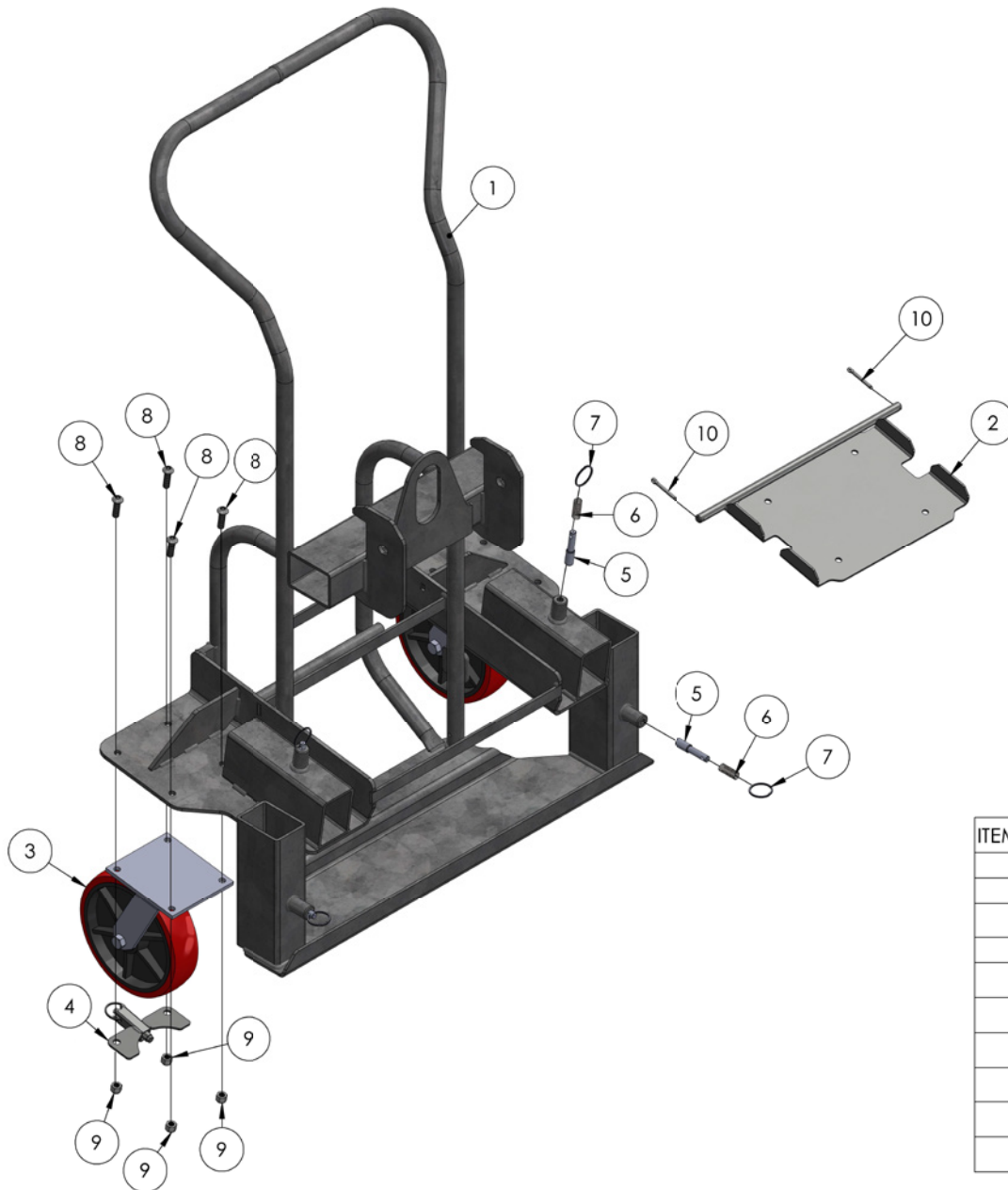
ITEM NO.	PART NUMBER	DESCRIPTION	QTY.
1	786646	BOOM WELDMENT, CB LIFT	1
2	783672	HOOK BLOCK ASSEMBLY	1
3	786599	PLUNGER, CB LIFT	2
4	782510	PLUNGER	2
5	776212	SPRING, #DWC - 042 - G - 9	4
6	775110	SPLIT RING 1-1/4" NICKLE PLATED	4
7	771049	SCREW, BHC 5/16-19 X .625"LN	1
8	772502	NUT, INSERT JAM 5/16-18	1

# GLASS BOOM ASSEMBLY (786750)

ITEM NO.	PART NUMBER	DESCRIPTION	QTY.
1	786755	GLASS BOOM WELDMENT, CB LIFT	1
2	786765	ROTATING BOOM ARM	1
3	786760	STABILIZER/HOLD DOWN	1
4	786599	PLUNGER, CB LIFT	2
5	782510	PLUNGER	2
6	776212	SPRING, #DWC - 042 - G - 9	4
7	775110	SPLIT RING 1-1/4" NICKEL PLATED	4
8	771142	SCREW, HHC 1/2-13 X 3"	1
9	773094	WASHER, FLAT 1/2 SAE	1
10	772358	NUT, INSERT JAM 1/2 -13	1
11	779916	CAP, 2" SQUARE TUBING, BLACK	1
12	775090	BUSH, BZ FL 3/4 X 1 X 5/8	2
13	779413	SCREW PIN ANCHOR SHACKLE 3/4	1

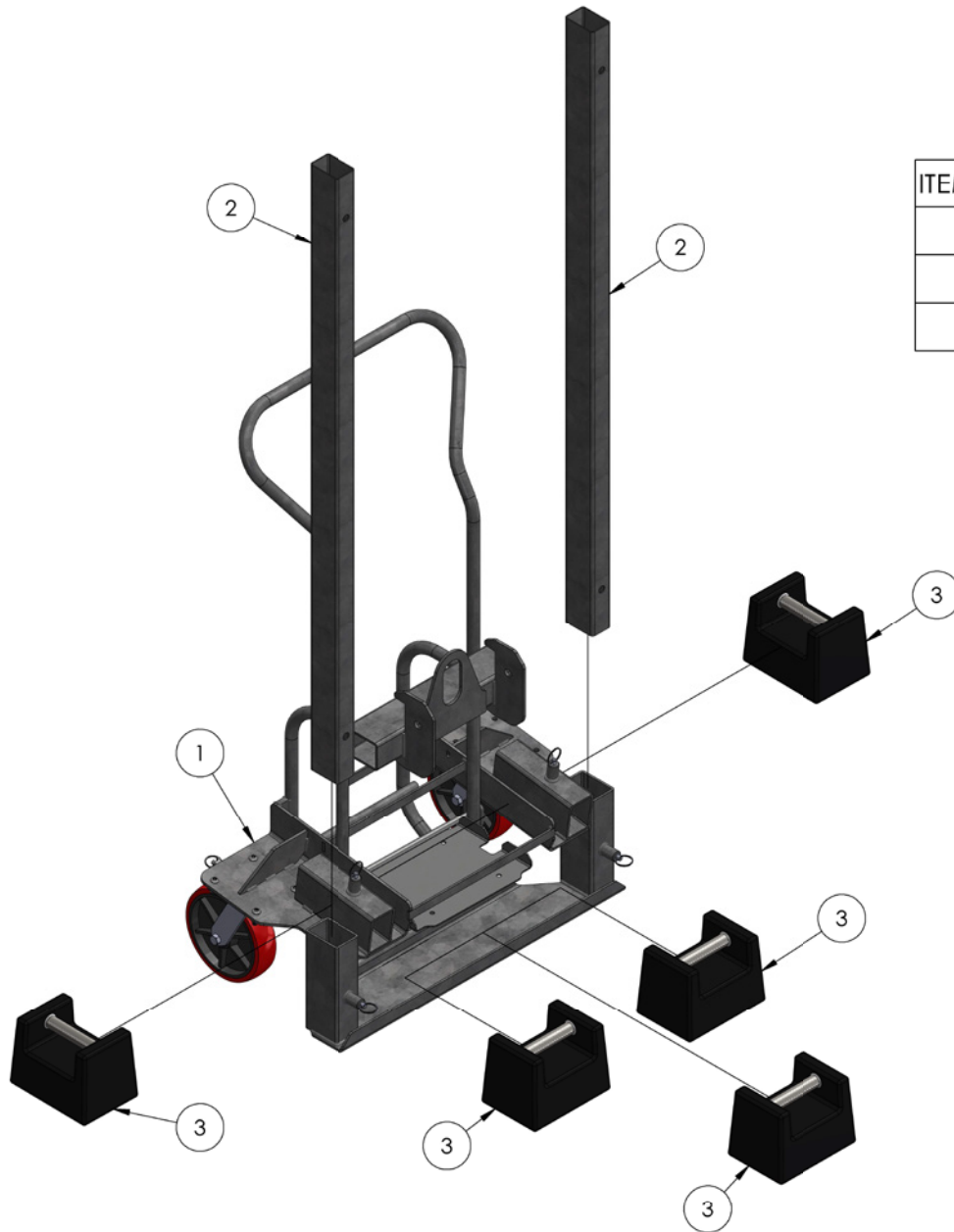


# CART ASSEMBLY (786601)



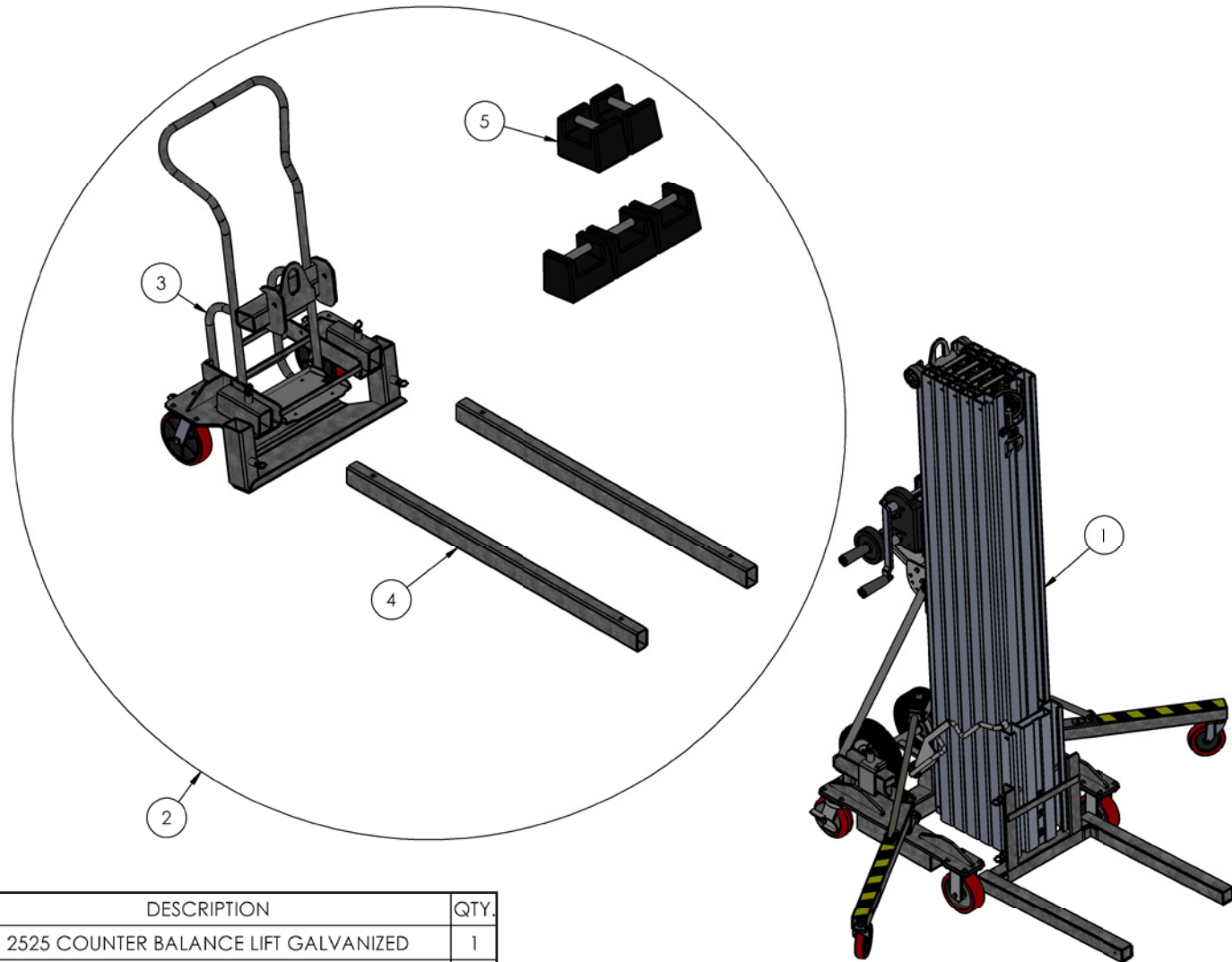
ITEM NO.	PART NUMBER	DESCRIPTION	QTY.
1	786605	CART WELDMENT, CB LIFT GALVANIZED	1
2	786630	WEIGHT TRAY WELDMENT, CB CART GALVANIZED	1
3	779046	CASTER ASSY SWIVEL W/ BRAKE 8X2	2
4	785350	SWIVEL LOCK ASSY, GANTRY CASTER	2
5	782510	PLUNGER	4
6	776212	SPRING, #DWC - 042 - G - 9	4
7	775110	SPLIT RING 1-1/4" NICKLE PLATED	4
8	771267	SCREW, BHC 3/8-16 X 1-1/4	4
9	772355	NUT, INSERT LOCK 3/8-16	4
10	774049	COTTER-PIN, BRASS 3/16 X 1-1/2"	2

# CART ASSEMBLY WITH WEIGHTS (786603)



ITEM NO.	PART NUMBER	DESCRIPTION	QTY.
1	786601	CART ASSEMBLY, CB LIFT GALVANIZED	1
2	786639	BASE EXTENSION, CB LIFT GALVANIZED	2
3	779685	WEIGHT, 20 KG.	5

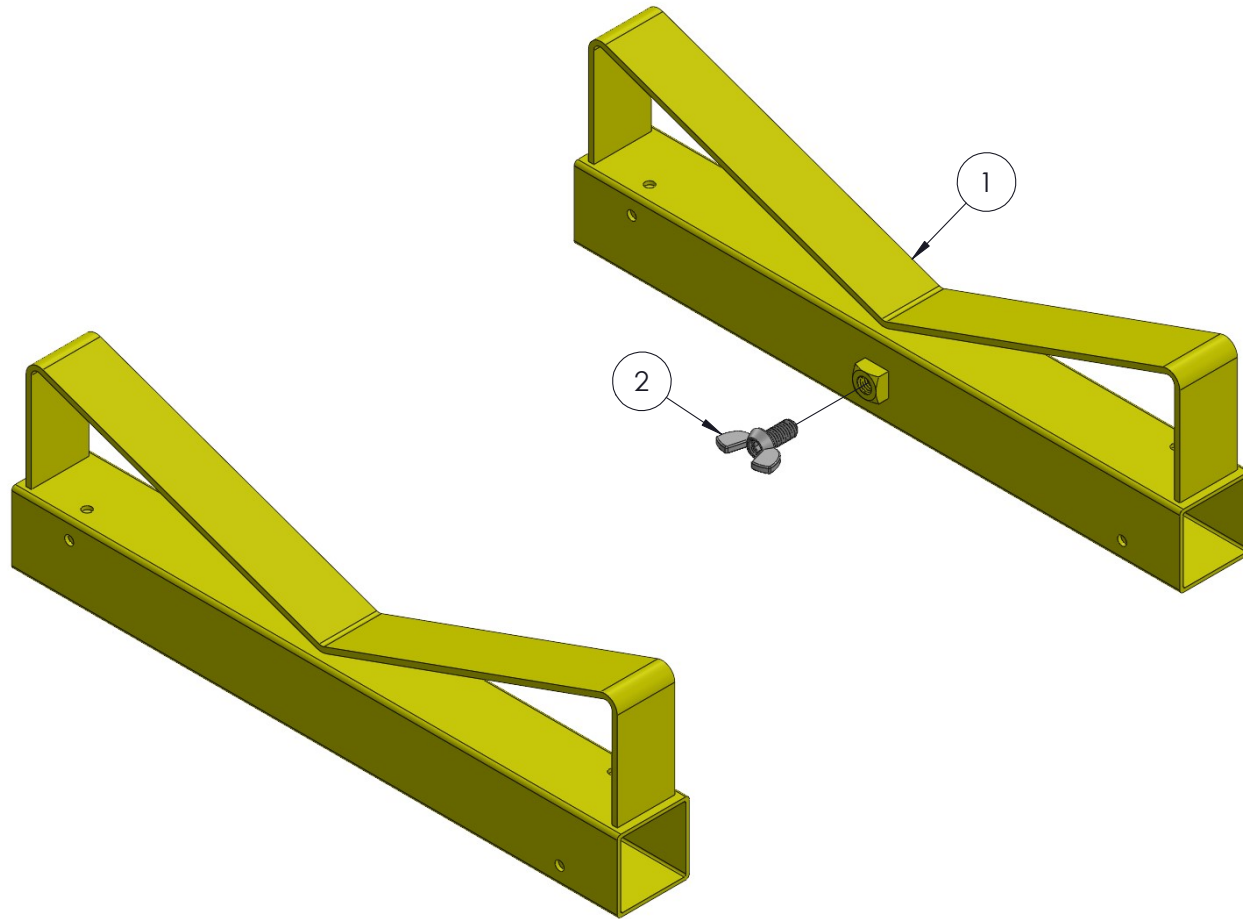
# LIFT AND CART ASSEMBLY



ITEM NO.	PART NUMBER	DESCRIPTION	QTY.
1	786533	2525 COUNTER BALANCE LIFT GALVANIZED	1
1	786532	2520 COUNTER BALANCE LIFT GALVANIZED	1
1	786531	2515 COUNTER BALANCE LIFT GALVANIZED	1
1	786530	2510 COUNTER BALANCE LIFT GALVANIZED	1
2	786603	CART ASSY W/ WEIGHTS AND BASE EXT, GALV	1
3	786600	CART ASSEMBLY, CB LIFT	1
4	786639	BASE EXTENSION, CB LIFT GALVANIZED	2
5	779685	WEIGHT, 20 KG	5

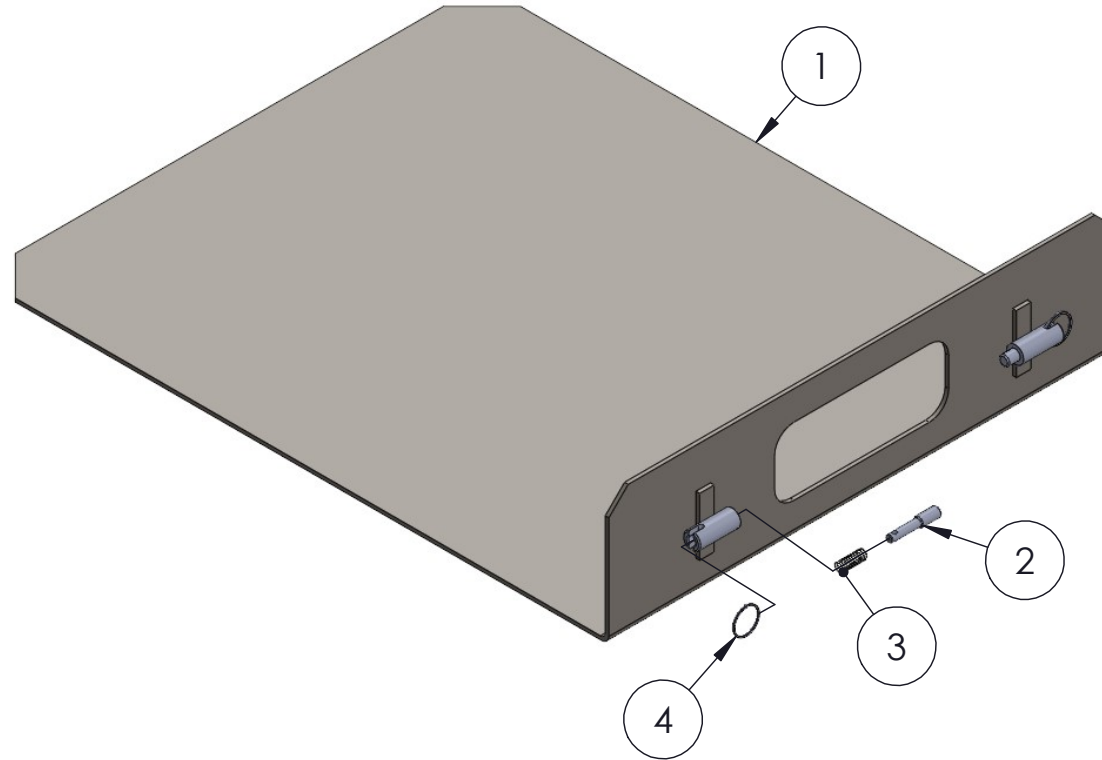


# PIPE CRADLE ASSEMBLY (783705)



ITEM NO.	PART NUMBER	DESCRIPTION	QTY.
1	783706	PIPE CRADLE WELDMENT	2
2	780286	WING SCREW	2

# TRAY ASSEMBLY (786320)



ITEM NO.	PART NUMBER	DESCRIPTION	QTY.
1	786321	TRAY WELDMENT 2000/2100/2500	1
2	782510	PLUNGER	2
3	776212	SPRING, #C0480-042-1250-M	2
4	775110	SPLIT RING 1-1/4" NICKEL PLATED	2