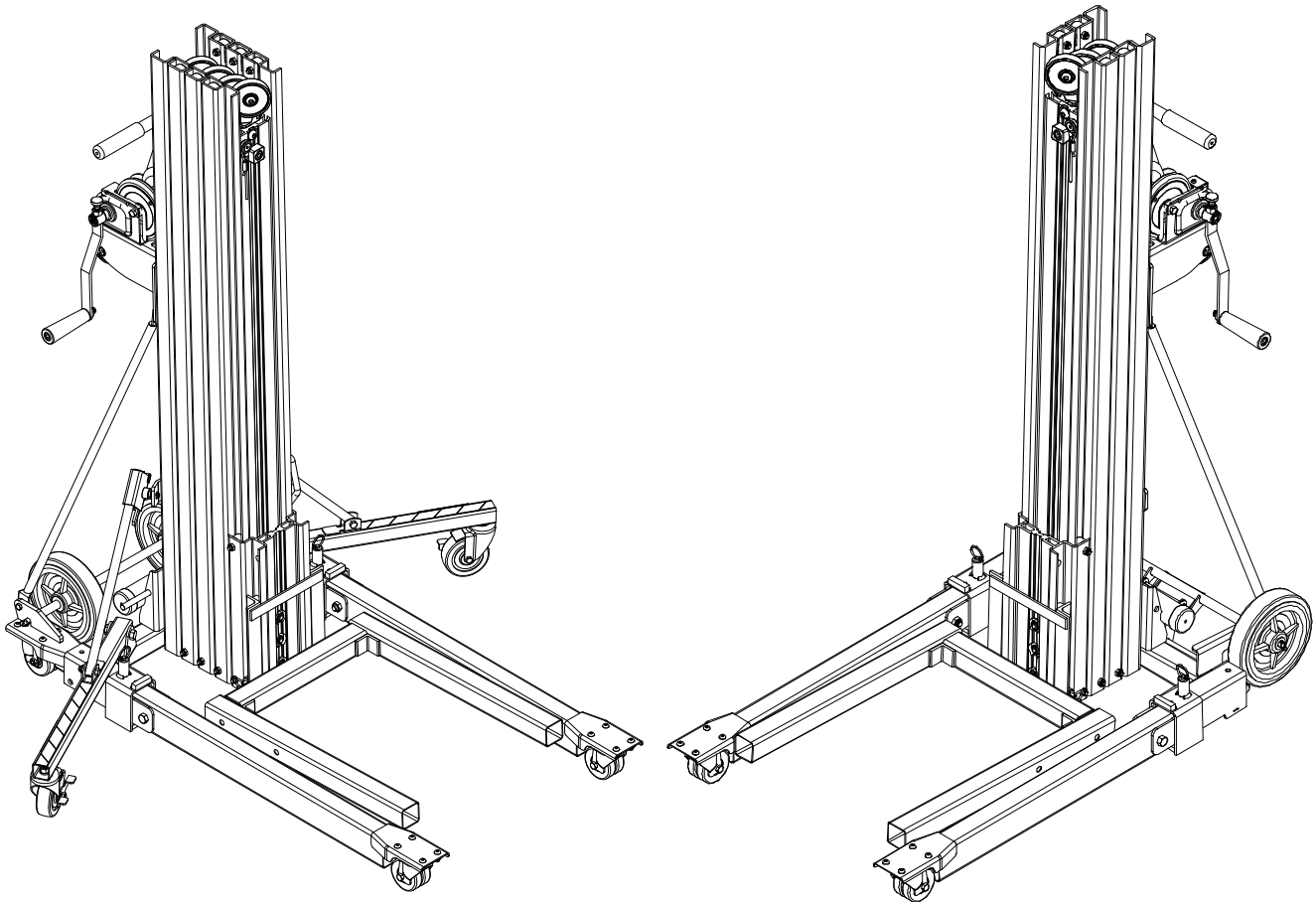


---

# PARTS MANUAL

## SERIES 2400 CONTRACTOR LIFT

---



**SUMNER**<sup>®</sup>

---

**USA:**

7514 Alabonson Rd.  
Houston, TX 77088  
tel: 281-999-6900  
fax: 281-999-6966

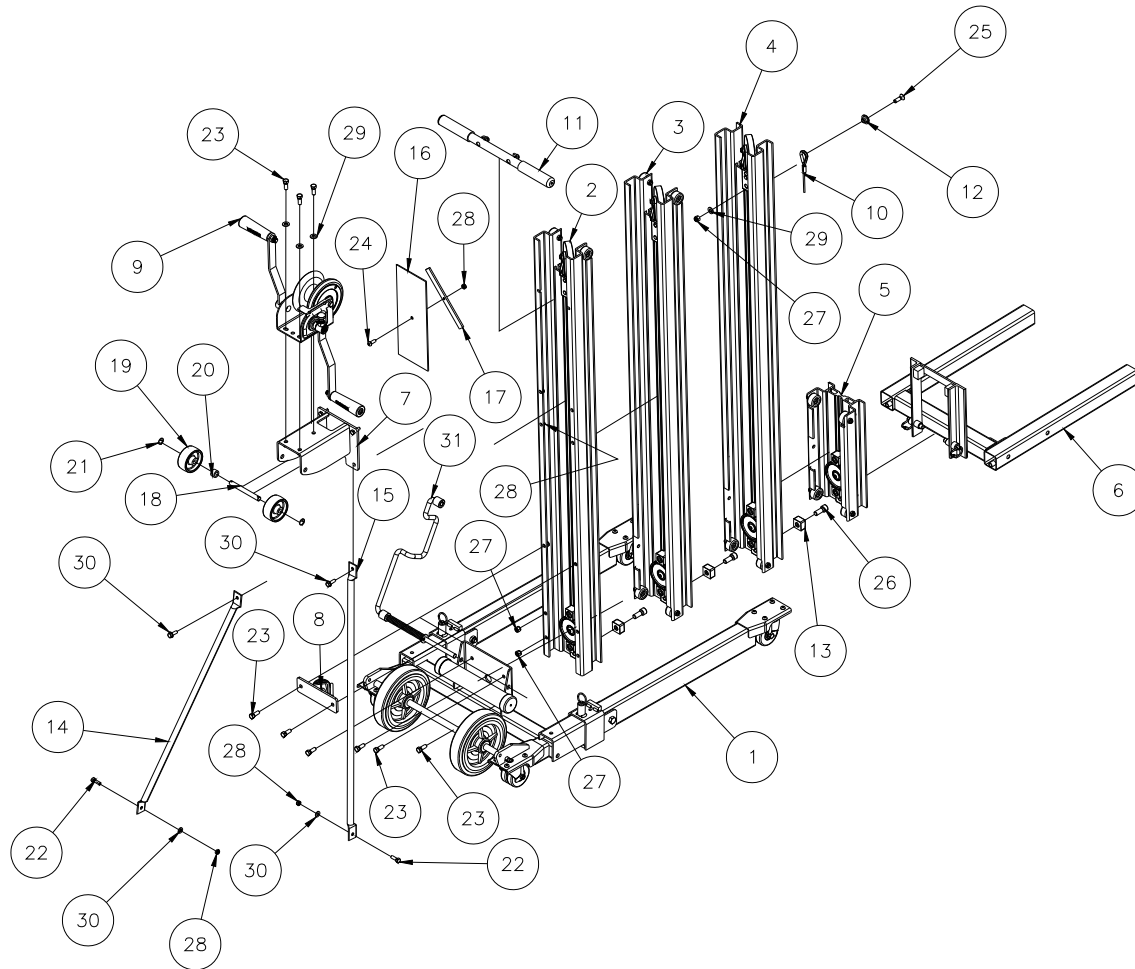
**CANADA:**

75 Saltsman Drive, Unit 5  
Cambridge, Ontario N3H 4R7  
Ph: 519-653-5300  
Fax: 519-653-5305

**UK:**

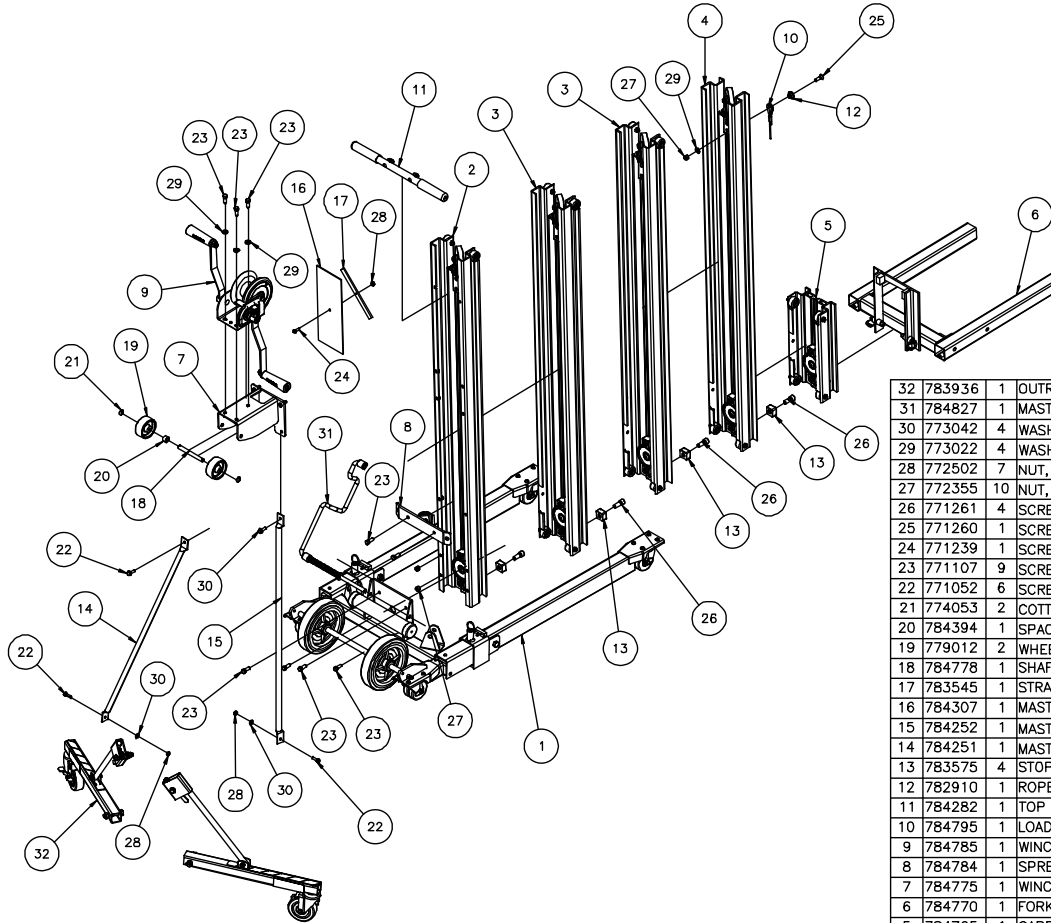
Unit 16A  
Blackpole Trading Estate East  
Blackpole Road  
Worcester, WR3 8SG  
tel: +44 (0)1905 458333  
fax: +44(0)1905 458222

# 784750 - 2412 LIFT ASSEMBLY



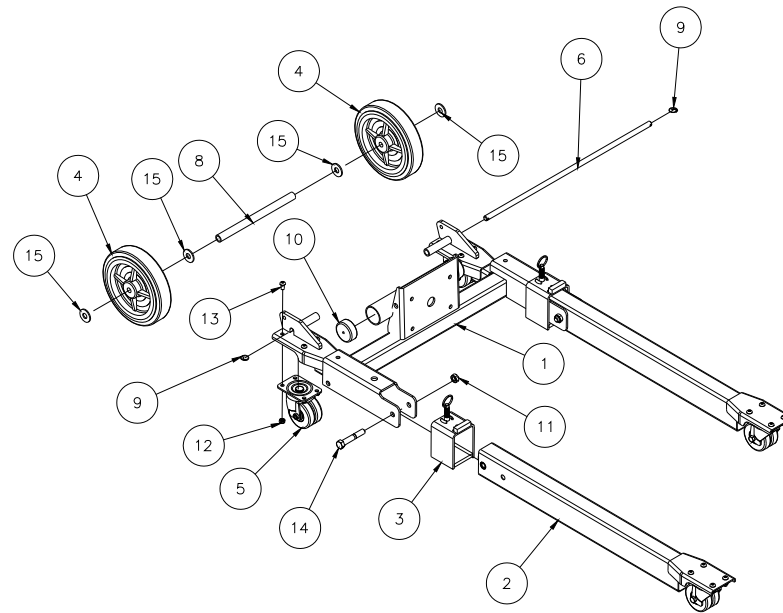
|            |          |     |                                  |
|------------|----------|-----|----------------------------------|
| 32         | 778420   | 1   | LABEL KIT, 2412 LIFT - NOT SHOWN |
| 31         | 784830   | 1   | MAST HOLD DOWN ASSY, BAR TYPE    |
| 30         | 773042   | 4   | WASHER, FL 5/16                  |
| 29         | 773022   | 4   | WASHER, FL 3/8 SAE HARDENED      |
| 28         | 772502   | 7   | NUT, INSERT JAM 5/16-18          |
| 27         | 772355   | 10  | NUT, INSERT LOCK 3/8-16          |
| 26         | 771261   | 3   | SCREW, SHC 1/2-13 X 1-1/4        |
| 25         | 771260   | 1   | SCREW, FHSC 3/8-16 X 1-1/4       |
| 24         | 771239   | 1   | SCREW, BHC 5/16-18 X 7/8         |
| 23         | 771107   | 9   | SCREW, HHC 3/8-16 X 1            |
| 22         | 771052   | 6   | SCREW, HHC 5/16-18 X 1 PLTD      |
| 21         | 774053   | 2   | COTTER, CIRCLE Z/P .048 X 3/4    |
| 20         | 784394   | 1   | SPACER, PULLEY 1/2"              |
| 19         | 779012   | 2   | WHEEL, POLY OLEFIN 3"            |
| 18         | 784778   | 1   | SHAFT WHEEL 2400 LIFT            |
| 17         | 783545   | 1   | STRAP, 2100 SERIES LIFT          |
| 16         | 784307   | 1   | MAST COVER, SHORT 2200           |
| 15         | 784252   | 1   | MAST BRACE RIGHT                 |
| 14         | 784251   | 1   | MAST BRACE LEFT                  |
| 13         | 783575   | 3   | MAST STOP BLOCK                  |
| 12         | 782910   | 1   | ROPE RETAINER WASHER             |
| 11         | 784282   | 1   | TOP HANDLE ASSEMBLY, 2200        |
| 10         | 784790   | 1   | LOAD LINE 2412                   |
| 9          | 784785   | 1   | WINCH ASSEMBLY 2400 LIFT         |
| 8          | 784780   | 1   | SPREADER PLATE ASSEMBLY          |
| 7          | 784775   | 1   | WINCH MOUNTING WELDMENT          |
| 6          | 784770   | 1   | FORK ASSEMBLY 2400               |
| 5          | 784765   | 1   | CARRIAGE ASSEMBLY 2400           |
| 4          | 784740   | 1   | TOP MAST ASSEMBLY 2412           |
| 3          | 784730   | 1   | CENTER MAST ASSEMBLY 2412        |
| 2          | 784720   | 1   | BOTTOM MAST ASSEMBLY 2412        |
| 1          | 784715   | 1   | BASE ASSEMBLY 2400 LIFT          |
| Item       | Part No. | Qty | Description                      |
| Parts List |          |     |                                  |

# 784751 - 2416 LIFT ASSEMBLY



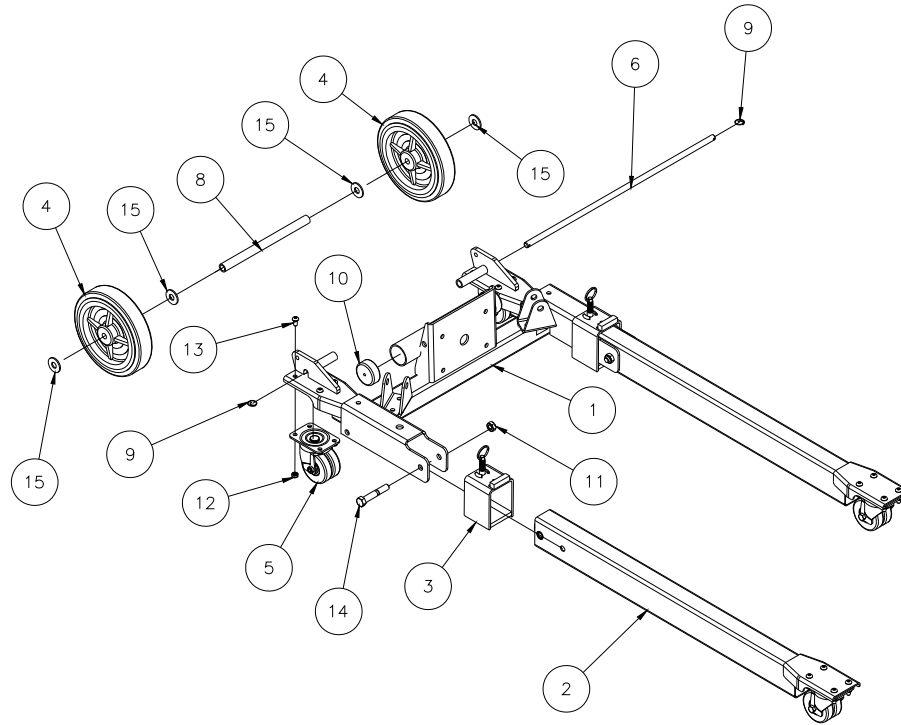
|            |          |     |                               |
|------------|----------|-----|-------------------------------|
| 32         | 783936   | 1   | OUTRIGGER ASSEMBLY, 2416 LIFT |
| 31         | 784827   | 1   | MAST HOLD DOWN, BAR TYPE 2416 |
| 30         | 773042   | 4   | WASHER, FL 5/16               |
| 29         | 773022   | 4   | WASHER, FL 3/8 SAE HARDENED   |
| 28         | 772502   | 7   | NUT, INSERT JAM 5/16-18       |
| 27         | 772355   | 10  | NUT, INSERT LOCK 3/8-16       |
| 26         | 771261   | 4   | SCREW, SHC 1/2-13 X 1-1/4     |
| 25         | 771260   | 1   | SCREW, FHSC 3/8-16 X 1-1/4    |
| 24         | 771239   | 1   | SCREW, BHC 5/16-18 X 7/8      |
| 23         | 771107   | 9   | SCREW, HHC 3/8-16 X 1         |
| 22         | 771052   | 6   | SCREW, HHC 5/16-18 X 1 PLTD   |
| 21         | 774053   | 2   | COTTER, CIRCLE Z/P .048 X 3/4 |
| 20         | 784394   | 1   | SPACER, PULLEY 1/2"           |
| 19         | 779012   | 2   | WHEEL, POLY OLEFIN 3"         |
| 18         | 784778   | 1   | SHAFT WHEEL 2400 LIFT         |
| 17         | 783545   | 1   | STRAP                         |
| 16         | 784307   | 1   | MAST COVER, SHORT 2200 LIFT   |
| 15         | 784252   | 1   | MAST BRACE (RIGHT) 2200 LIFT  |
| 14         | 784251   | 1   | MAST BRACE (LEFT) 2200 LIFT   |
| 13         | 783575   | 4   | STOP BLOCK                    |
| 12         | 782910   | 1   | ROPE RETAINER WASHER          |
| 11         | 784282   | 1   | TOP HANDLE ASSEMBLY, 2200     |
| 10         | 784795   | 1   | LOAD LINE EVENTER 16 LIFT     |
| 9          | 784785   | 1   | WINCH ASSEMBLY 2400 LIFT      |
| 8          | 784784   | 1   | SPREADER PLATE ASSEMBLY 2416  |
| 7          | 784775   | 1   | WINCH MOUNTING WELDMENT       |
| 6          | 784770   | 1   | FORK ASSEMBLY 2400            |
| 5          | 784765   | 1   | CARRIAGE ASSEMBLY 2400        |
| 4          | 784740   | 1   | TOP MAST ASSEMBLY 2412        |
| 3          | 784730   | 2   | CENTER MAST ASSEMBLY 2412     |
| 2          | 784720   | 1   | BOTTOM MAST ASSEMBLY 2412     |
| 1          | 784717   | 1   | BASE ASSEMBLY 2416 LIFT       |
| Item       | Part No. | Qty | Description                   |
| Ports List |          |     |                               |

# 784715 - 2412 BASE ASSEMBLY



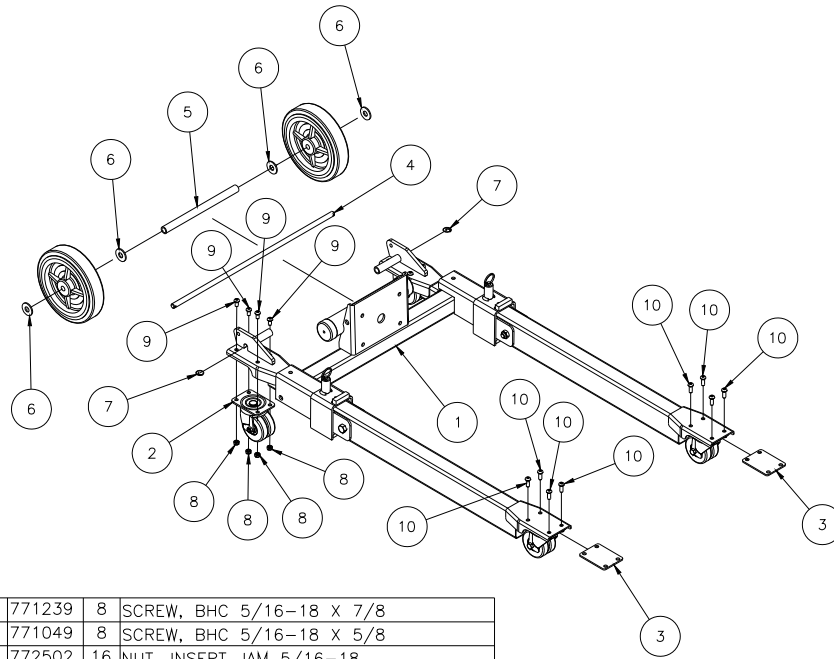
|            |          |     |                               |
|------------|----------|-----|-------------------------------|
| 15         | 773060   | 4   | WASHER, FLAT 1/2 USS          |
| 14         | 771142   | 2   | SCREW, HHC 1/2-13 X 3         |
| 13         | 771049   | 8   | SCREW, BHC 5/16-18 X 5/8      |
| 12         | 772502   | 8   | NUT, INSERT JAM 5/16-18       |
| 11         | 772358   | 2   | NUT, INSERT JAM 1/2-13        |
| 10         | 779905   | 2   | CAP, 2" OD TUBE, BLACK        |
| 9          | 774053   | 2   | COTTER. CIRCLE Z/P .048 X 3/4 |
| 8          | 784867   | 1   | AXLE SUPPORT TUBE             |
| 6          | 784585   | 1   | AXLE, 2412 LIFT               |
| 5          | 779036   | 2   | CASTER, 3" DUAL WHEEL W/BRAKE |
| 4          | 779031   | 2   | WHEEL, 8" THERMOPLASTIC GRAY  |
| 3          | 784820   | 2   | LEG LOCK ASSY.                |
| 2          | 784810   | 2   | FRONT LEG ASSY. 2412 LIFT     |
| 1          | 784800   | 1   | BASE WELDMENT 2412 LIFT       |
| Item       | Part No. | Qty | Description                   |
| Parts List |          |     |                               |

# 784717 - 2416 BASE ASSEMBLY



|            |          |     |                               |
|------------|----------|-----|-------------------------------|
| 15         | 773060   | 4   | WASHER, FLAT 1/2 USS          |
| 14         | 771142   | 2   | SCREW, HHC 1/2-13 X 3         |
| 13         | 771049   | 8   | SCREW, BHC 5/16-18 X 5/8      |
| 12         | 772502   | 8   | NUT, INSERT JAM 5/16-18       |
| 11         | 772358   | 2   | NUT, INSERT JAM 1/2-13        |
| 10         | 779905   | 2   | CAP, 2" OD TUBE, BLACK        |
| 9          | 774053   | 2   | COTTER. CIRCLE Z/P .048 X 3/4 |
| 8          | 784867   | 1   | AXLE SUPPORT TUBE             |
| 6          | 784585   | 1   | AXLE, 2412 LIFT               |
| 5          | 779036   | 2   | CASTER, 3" DUAL WHEEL W/BRAKE |
| 4          | 779031   | 2   | WHEEL, 8" THERMOPLASTIC GRAY  |
| 3          | 784820   | 2   | LEG LOCK ASSY.                |
| 2          | 784813   | 2   | FRONT LEG ASSY. 2416 LIFT     |
| 1          | 784799   | 1   | BASE WELDMENT 2416 LIFT       |
| Item       | Part No. | Qty | Description                   |
| Parts List |          |     |                               |

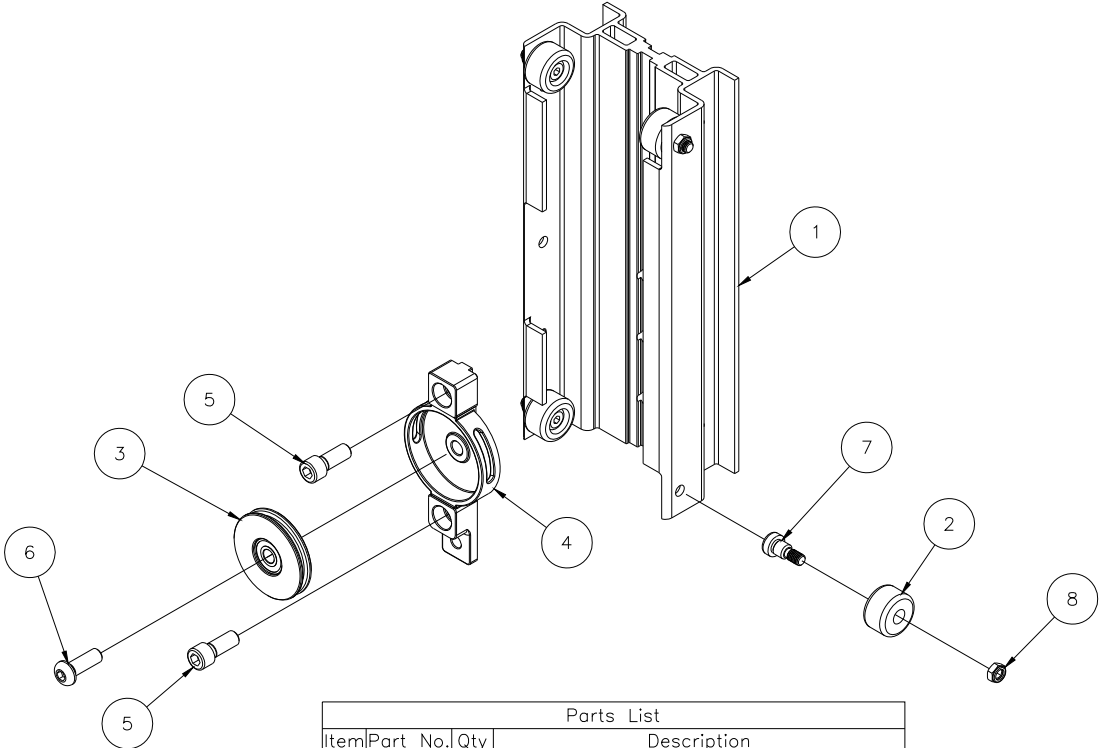
# 784714 - 2416 BASE ASSEMBLY CONVERSION KIT



|            |          |     |                               |
|------------|----------|-----|-------------------------------|
| 10         | 771239   | 8   | SCREW, BHC 5/16-18 X 7/8      |
| 9          | 771049   | 8   | SCREW, BHC 5/16-18 X 5/8      |
| 8          | 772502   | 16  | NUT, INSERT JAM 5/16-18       |
| 7          | 774053   | 2   | COTTER. CIRCLE Z/P .048 X 3/4 |
| 6          | 773060   | 4   | WASHER, FLAT 1/2 USS          |
| 5          | 784867   | 1   | AXLE SUPPORT TUBE             |
| 4          | 784585   | 1   | AXLE, 2412 LIFT               |
| 3          | 783098   | 2   | SPACER, CASTER PLATE          |
| 2          | 779036   | 2   | CASTER, 3" DUAL WHEEL W/BRAKE |
| 1          | 784800   | 1   | BASE WELDMENT 2412 LIFT       |
| Item       | Part No. | Qty | Description                   |
| Parts List |          |     |                               |

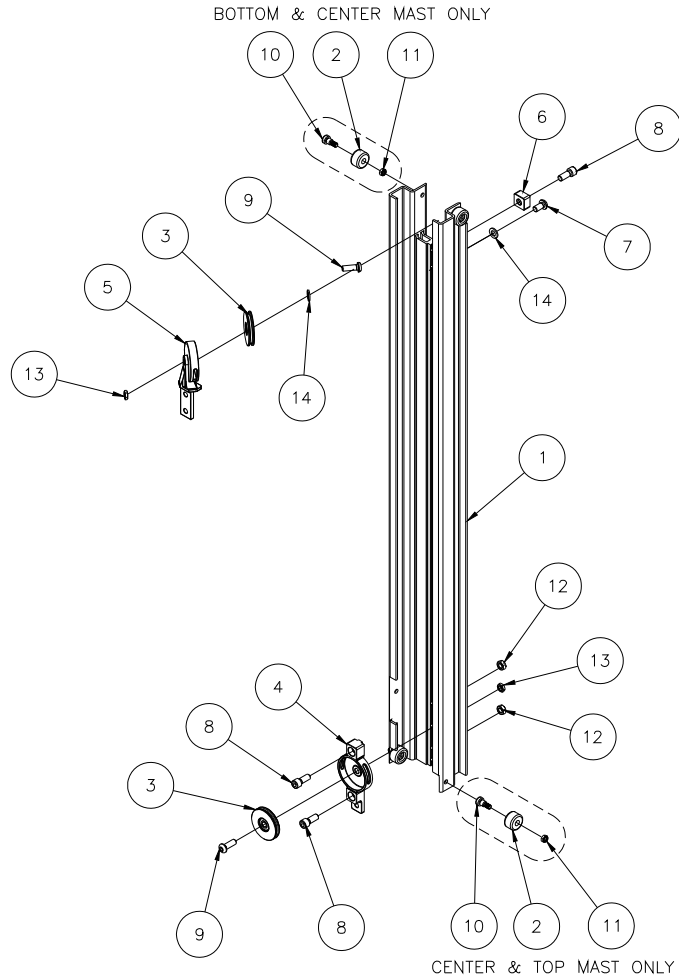
CUSTOMER WILL REUSE EXISTING LEG WELDMENTS, FRONT CASTERS, LEG LOCKS, AND 8" THERMOPLASTIC GRAY WHEELS

# 784765 - CARRIAGE ASSEMBLY



| Parts List |          |     |                             |
|------------|----------|-----|-----------------------------|
| Item       | Part No. | Qty | Description                 |
| 1          | 784766   | 1   | CARRIAGE MACHINED 2400 LIFT |
| 2          | 784722   | 4   | MAST ROLLER 2400 LIFT       |
| 3          | 784724   | 1   | PULLEY ASSEMBLY 3"          |
| 4          | 784705   | 1   | PULLEY COVER                |
| 5          | 771261   | 2   | SCREW, SHC 1/2-13 X 1-1/4   |
| 6          | 771263   | 1   | SCREW, BHC M12-1.75 X 35    |
| 7          | 771350   | 4   | SCREW, SHOULDER 1/2 X 1/2   |
| 8          | 772350   | 4   | NUT, INSERT JAM 3/8-16      |
| 9          | 772358   | 2   | NUT, INSERT JAM 1/2-13      |
| 10         | 772505   | 1   | NUT, JAM LOCK M12           |

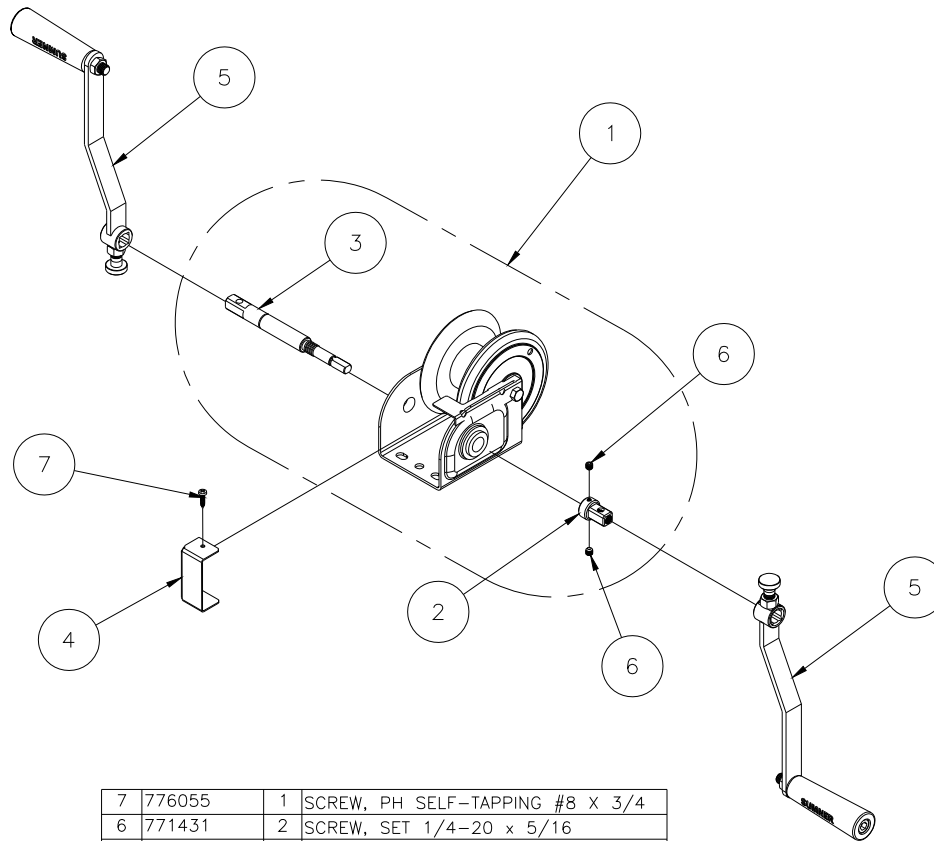
# MAST ASSEMBLY



|            |          |     |   |
|------------|----------|-----|---|
| 14         | 773096   | 2   | WASHER, FLAT M12                              |
| 13         | 772505   | 2   | NUT, JAM LOCK M12                             |
| 12         | 772358   | 2   | NUT, INSERT JAM 1/2-13                        |
| 11         | 772350   | 2   | NUT, INSERT JAM 3/8-16 (TOP & BOTTOM MAST)    |
|            | 772350   | 4   | NUT, INSERT JAM 3/8-16 (CENTER MAST)          |
| 10         | 771350   | 2   | SCREW, SHOULDER 1/2 X 1/2 (TOP & BOTTOM MAST) |
|            | 771350   | 4   | SCREW, SHOULDER 1/2 X 1/2 (CENTER MAST)       |
| 9          | 771263   | 2   | SCREW, BHC M12-1.75 X 35                      |
| 8          | 771261   | 3   | SCREW, SHC 1/2-13 X 1-1/4                     |
| 7          | 771259   | 1   | SCREW, BHC 1/2-13 X 1                         |
| 6          | 783575   | 1   | STOP BLOCK                                    |
| 5          | 784710   | 1   | PULLEY MOUNT                                  |
| 4          | 784705   | 1   | PULLEY COVER                                  |
| 3          | 784724   | 2   | PULLEY ASSEMBLY 3"                            |
| 2          | 784722   | 2   | MAST ROLLER 2400 LIFT (TOP & BOTTOM MAST)     |
|            | 784722   | 4   | MAST ROLLER 2400 LIFT (CENTER MAST)           |
|            | 784741   | 1   | TOP MAST MACHINED 2412                        |
| 1          | 784731   | 1   | CENTER MAST MACHINED 2412                     |
|            | 784721   | 1   | BOTTOM MAST MACHINED 2412                     |
| Item       | Part No. | Qty | Description                                   |
| Parts List |          |     |   |

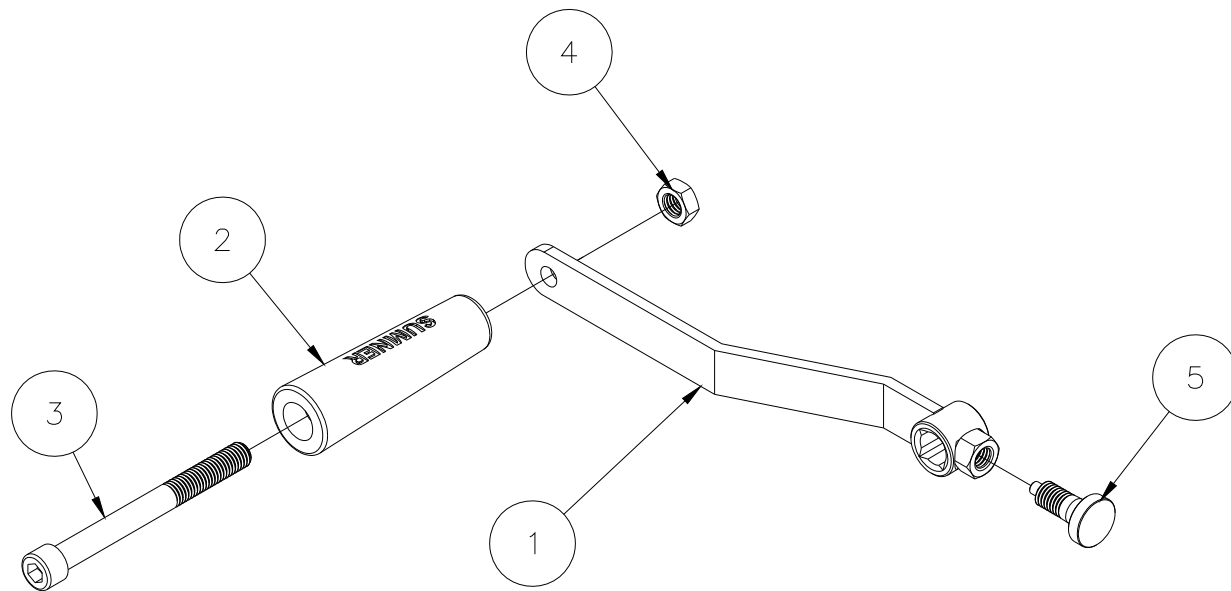


# 784785 - WINCH ASSEMBLY



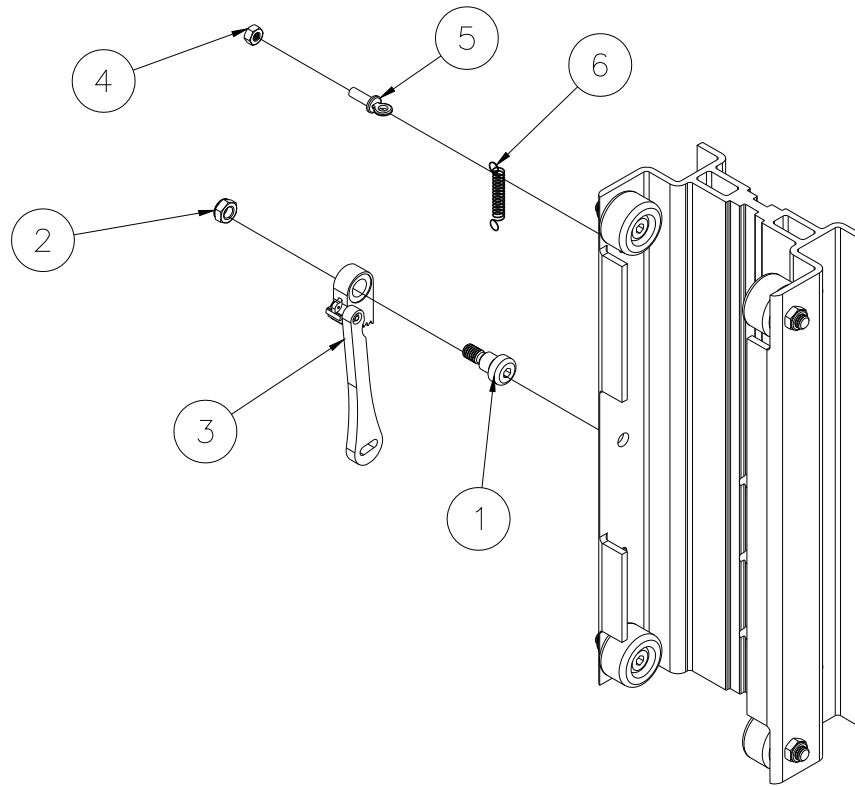
|            |          |     |                                 |
|------------|----------|-----|---------------------------------|
| 7          | 776055   | 1   | SCREW, PH SELF-TAPPING #8 X 3/4 |
| 6          | 771431   | 2   | SCREW, SET 1/4-20 x 5/16        |
| 5          | 783757   | 2   | WINCH HANDLE ASSY, MX           |
| 4          | 784671   | 1   | WINCH GUARD                     |
| 3          | 784786   | 1   | WINCH SHAFT 2400 LIFT           |
| 2          | 784284   | 1   | WINCH HANDLE ADAPTER            |
| 1          | 779951   | 1   | WINCH, FULTON KX-1051           |
| Item       | Part No. | Qty | Description                     |
| Parts List |          |     |                                 |

# 783757 - WINCH HANDLE ASSEMBLY



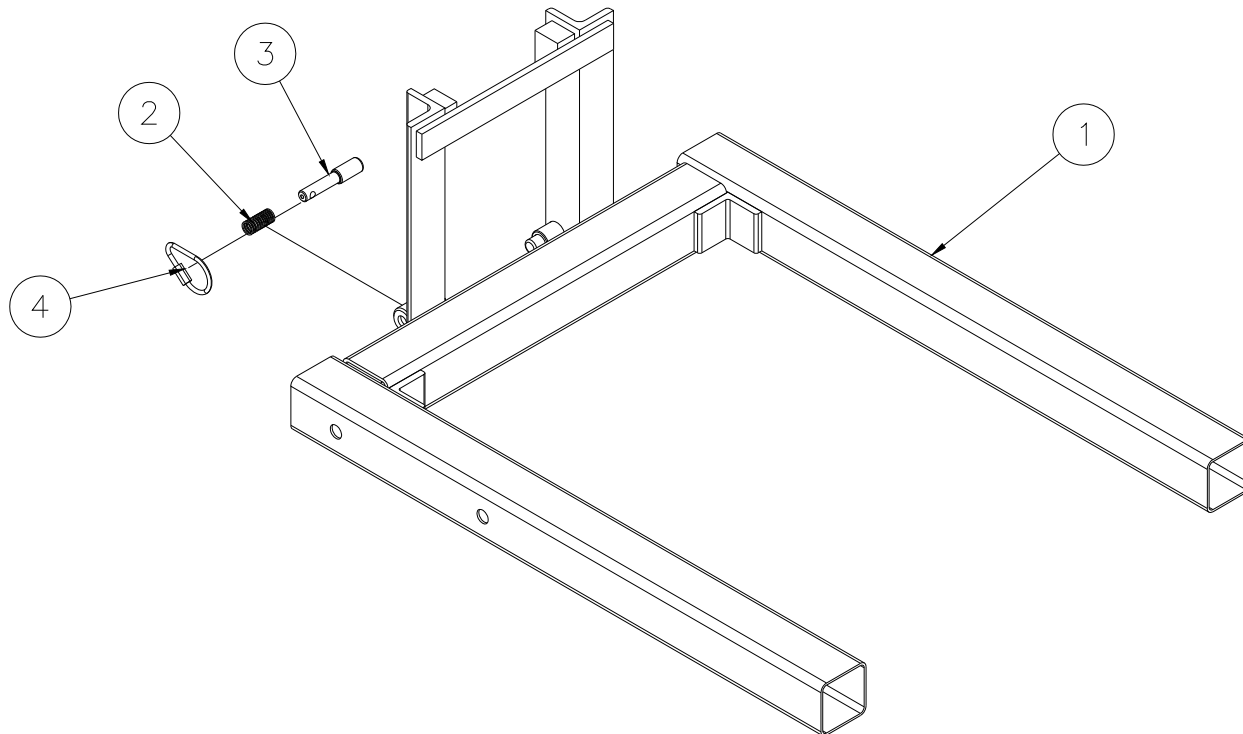
|            |          |     |                            |
|------------|----------|-----|----------------------------|
| 5          | 774180   | 1   | PLUNGER ASSEMBLY           |
| 4          | 772358   | 1   | 1/2-13 INSERT JAM LOCK NUT |
| 3          | 771254   | 1   | SHCS 1/2-13 x 5            |
| 2          | 780182   | 1   | WINCH HANDLE SLEEVE        |
| 1          | 783756   | 1   | HANDLE WELDMENT            |
| Item       | Part No. | Qty | Description                |
| Parts List |          |     |                            |

## 784755 - SAFETY BRAKE ASSEMBLY - OPTIONAL



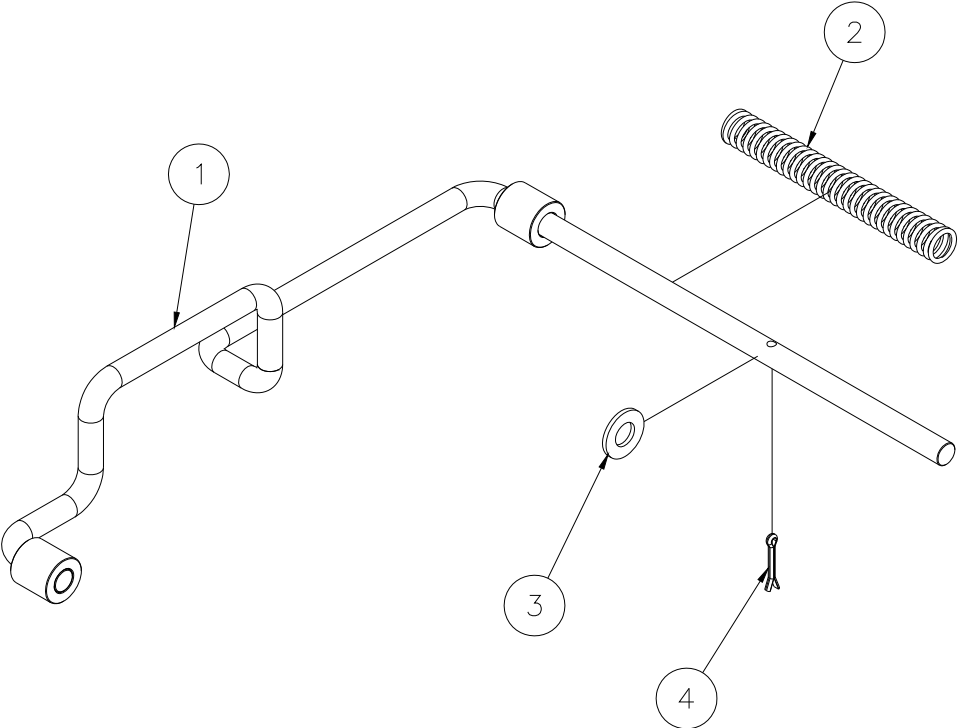
| Parts List |          |     |                           |
|------------|----------|-----|---------------------------|
| Item       | Part No. | Qty | Description               |
| 1          | 771350   | 1   | SCREW, SHOULDER 1/2 X 1/2 |
| 2          | 772350   | 1   | NUT, INSERT JAM 3/8-16    |
| 3          | 784692   | 1   | SAFETY BRAKE ASSEMBLY     |
| 4          | 772076   | 1   | NUT, INSERT LOCK 1/4-20   |
| 5          | 779900   | 1   | SCREW, ADJUSTING          |
| 6          | 783530   | 1   | BRAKE SPRING              |

# 784770 - FORK ASSEMBLY



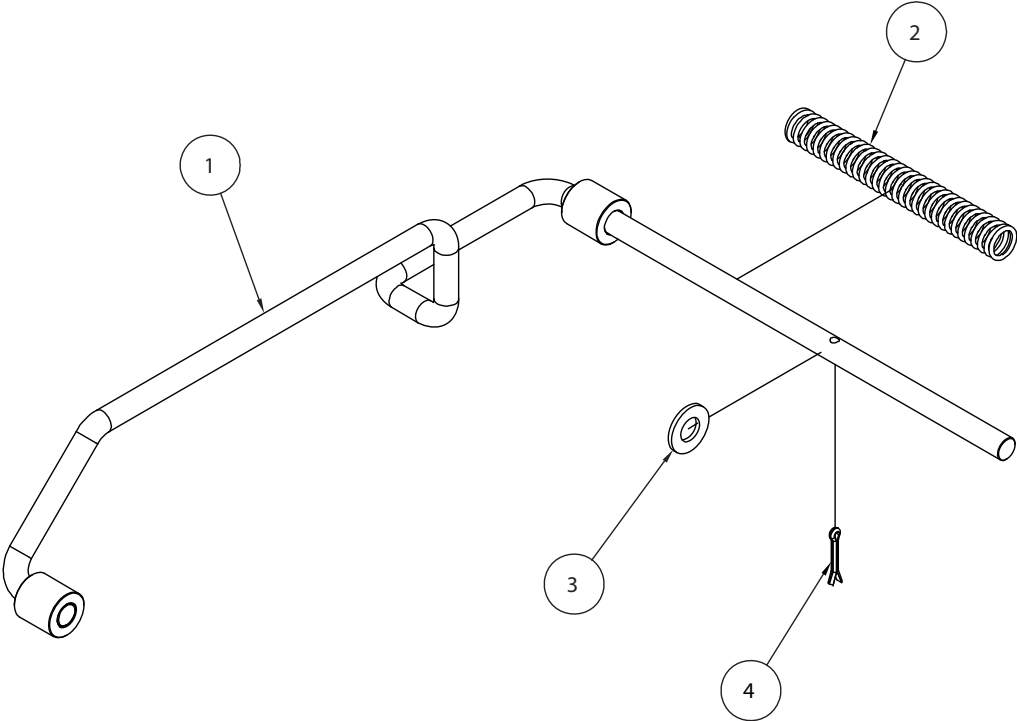
|            |          |     |                         |
|------------|----------|-----|-------------------------|
| 4          | 779317   | 2   | RAPID LINK, 1/8"        |
| 3          | 782510   | 2   | PLUNGER                 |
| 2          | 776212   | 2   | PLUNGER SPRING          |
| 1          | 784771   | 1   | FORK WELDMENT 2400 LIFT |
| Item       | Part No. | Qty | Description             |
| Parts List |          |     |                         |

# 784830 - 2412 MAST HOLD DOWN BAR



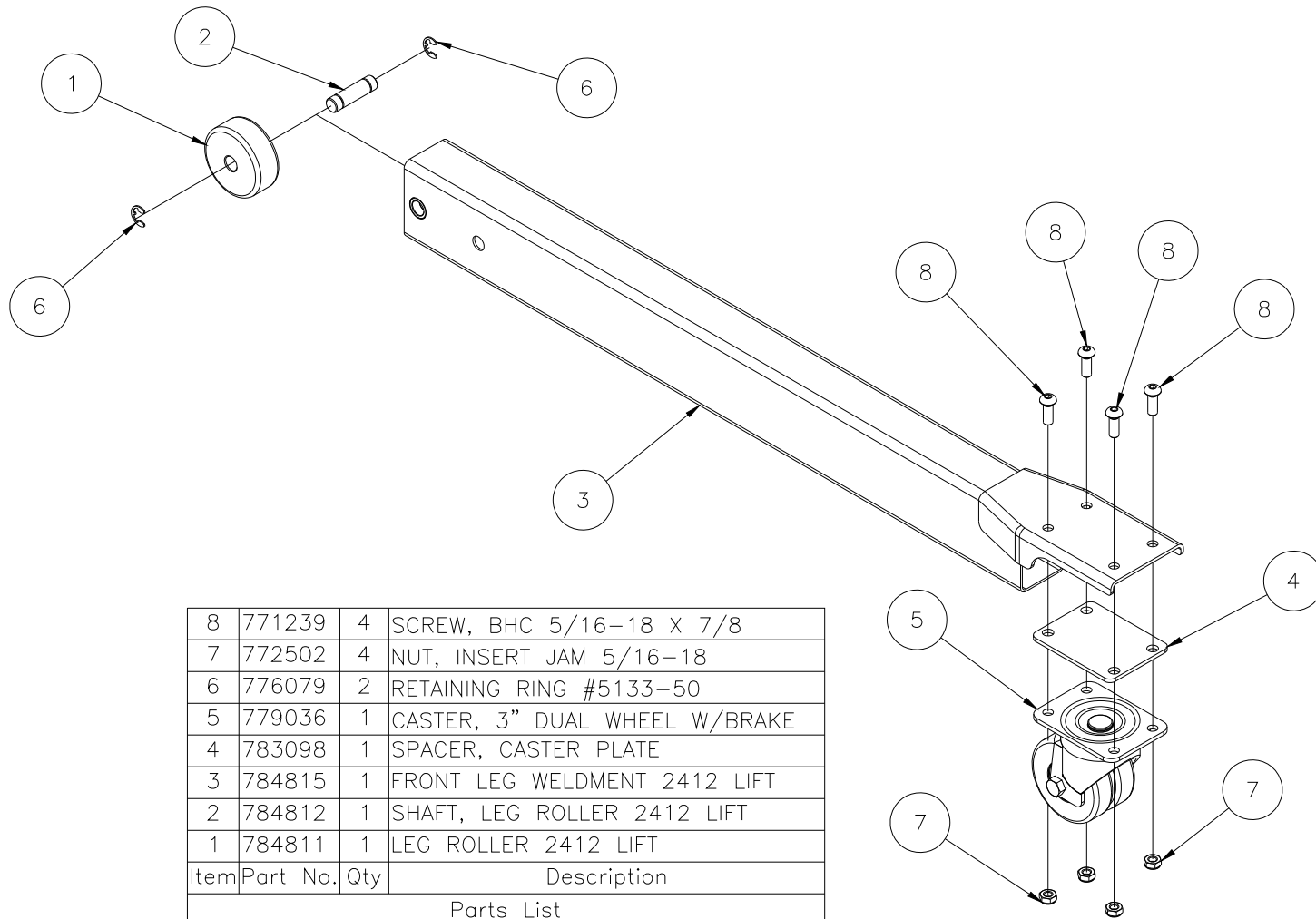
|            |          |     |                           |
|------------|----------|-----|---------------------------|
| 4          | 774051   | 1   | PIN, COTTER 1/8 X 3/4     |
| 3          | 773094   | 1   | WASHER, FLAT 1/2 SAE      |
| 2          | 776218   | 1   | SPRING 3/4 OD X 7-1/2 LG. |
| 1          | 784831   | 1   | MAST HOLD DOWN WELDMENT   |
| Item       | Part No. | Qty | Description               |
| Parts List |          |     |                           |

# 784827 - 2416 MAST HOLD DOWN BAR



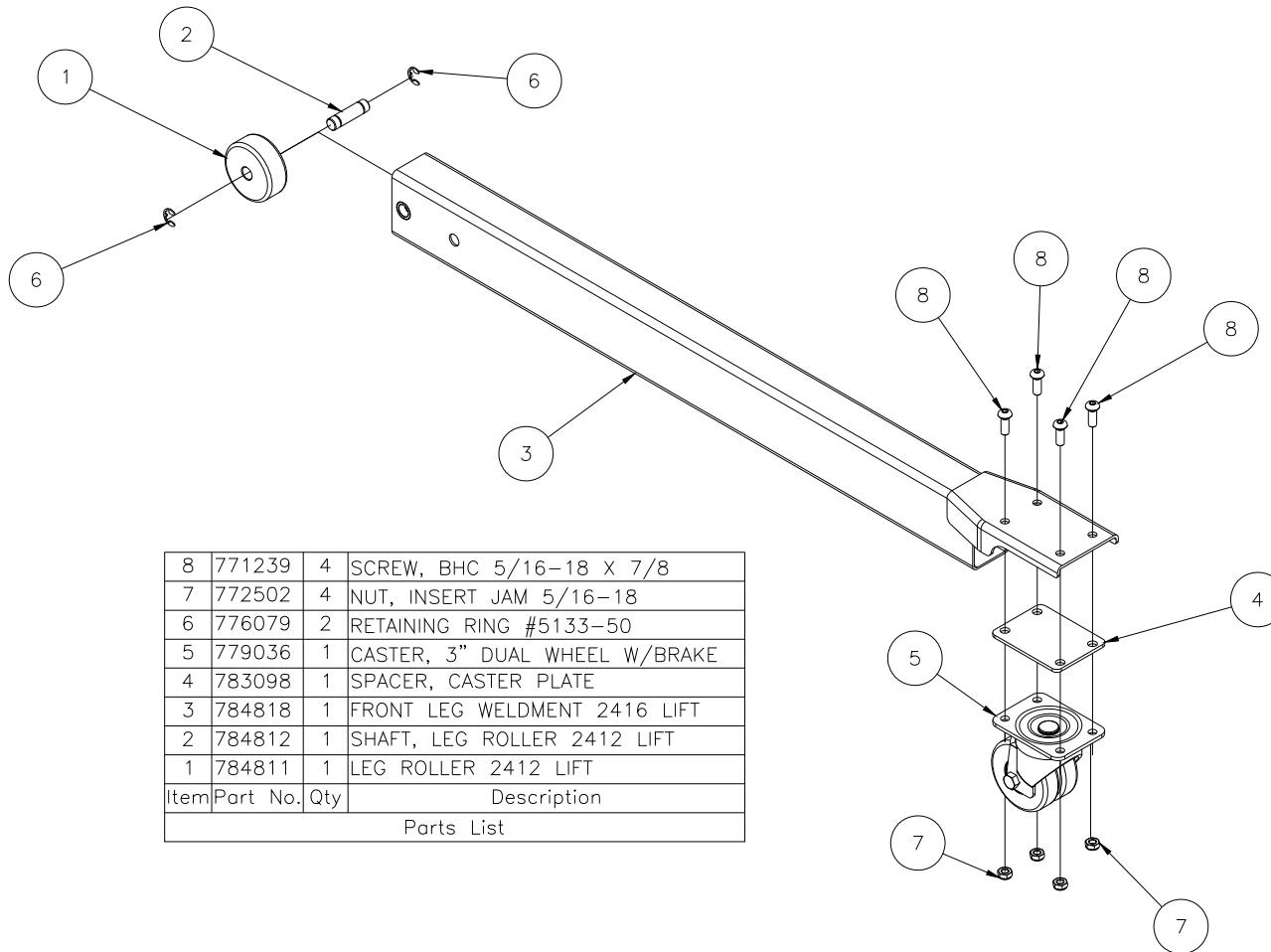
| 4          | 774051   | 1   | PIN, COTTER 1/8 X 3/4        |
|------------|----------|-----|------------------------------|
| 3          | 773094   | 1   | WASHER, FLAT 1/2 SAE         |
| 2          | 776218   | 1   | SPRING 3/4 OD X 7-1/2LG.     |
| 1          | 784828   | 1   | MAST HOLD DOWNWELDMENT, 2416 |
| Item       | Part No. | Qty | Description                  |
| Parts List |          |     |                              |

# 784810 - 2412 FRONT LEG ASSEMBLY



|            |          |     |                               |
|------------|----------|-----|-------------------------------|
| 8          | 771239   | 4   | SCREW, BHC 5/16-18 X 7/8      |
| 7          | 772502   | 4   | NUT, INSERT JAM 5/16-18       |
| 6          | 776079   | 2   | RETAINING RING #5133-50       |
| 5          | 779036   | 1   | CASTER, 3" DUAL WHEEL W/BRAKE |
| 4          | 783098   | 1   | SPACER, CASTER PLATE          |
| 3          | 784815   | 1   | FRONT LEG WELDMENT 2412 LIFT  |
| 2          | 784812   | 1   | SHAFT, LEG ROLLER 2412 LIFT   |
| 1          | 784811   | 1   | LEG ROLLER 2412 LIFT          |
| Item       | Part No. | Qty | Description                   |
| Parts List |          |     |                               |

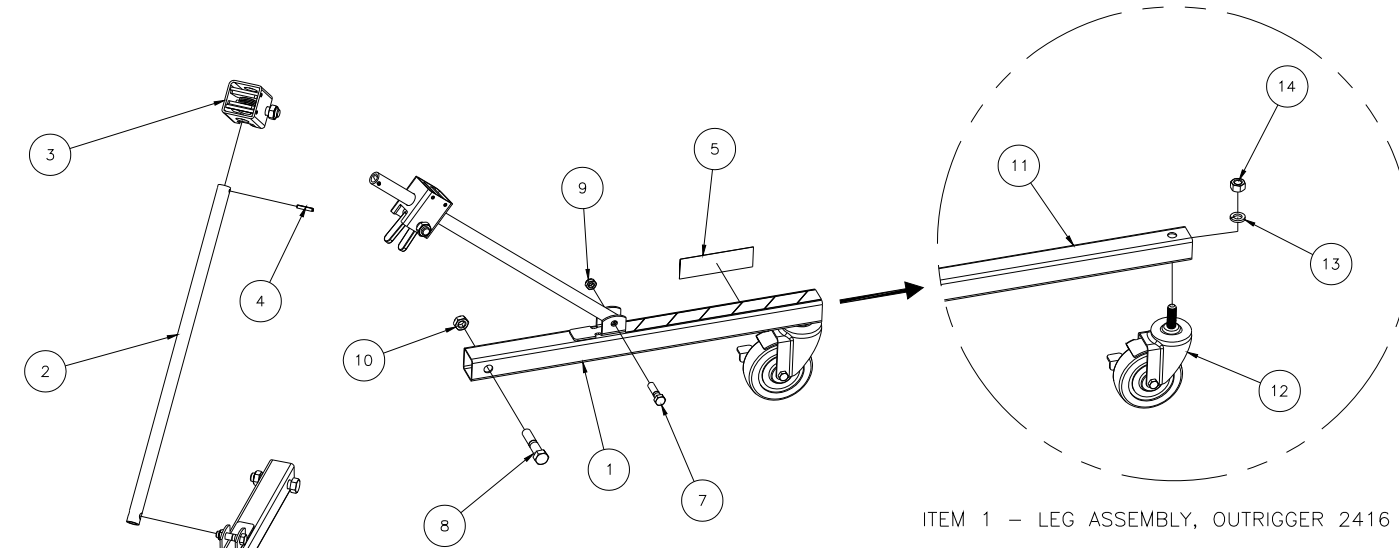
# 784813 - 2416 FRONT LEG ASSEMBLY



|            |          |     |                               |
|------------|----------|-----|-------------------------------|
| 8          | 771239   | 4   | SCREW, BHC 5/16-18 X 7/8      |
| 7          | 772502   | 4   | NUT, INSERT JAM 5/16-18       |
| 6          | 776079   | 2   | RETAINING RING #5133-50       |
| 5          | 779036   | 1   | CASTER, 3" DUAL WHEEL W/BRAKE |
| 4          | 783098   | 1   | SPACER, CASTER PLATE          |
| 3          | 784818   | 1   | FRONT LEG WELDMENT 2416 LIFT  |
| 2          | 784812   | 1   | SHAFT, LEG ROLLER 2412 LIFT   |
| 1          | 784811   | 1   | LEG ROLLER 2412 LIFT          |
| Item       | Part No. | Qty | Description                   |
| Parts List |          |     |                               |



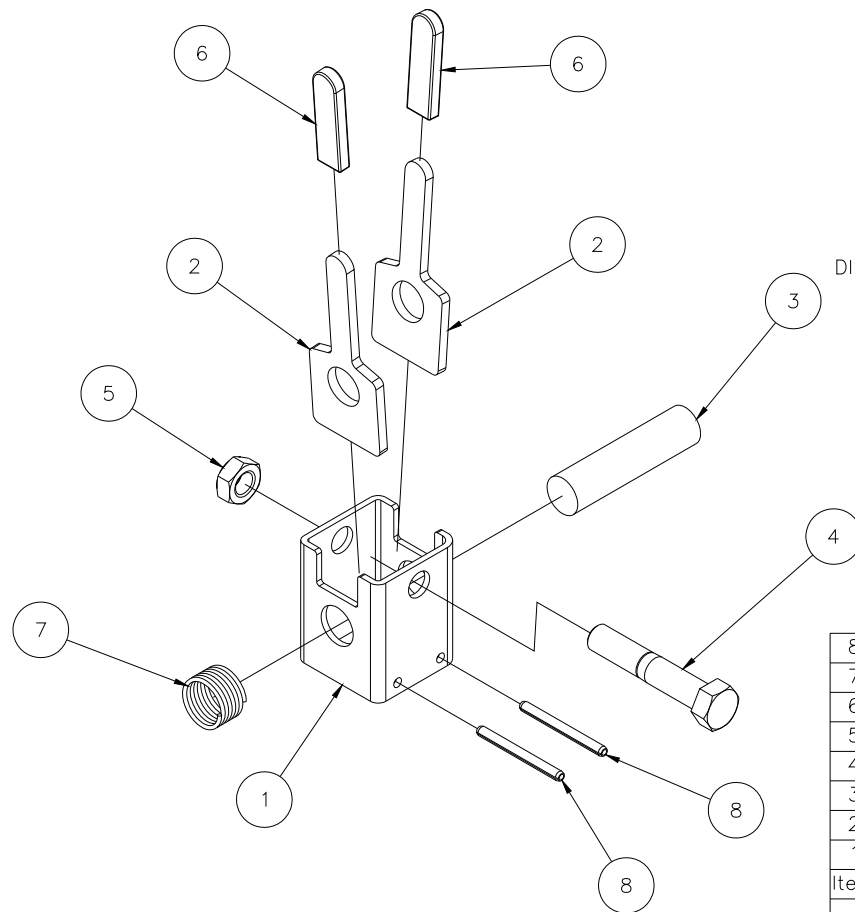
# 783936 - OUTRIGGER ASSEMBLY



ITEM 1 - LEG ASSEMBLY, OUTRIGGER 2416

| Item | Part No. | Qty | Description                     |
|------|----------|-----|---------------------------------|
| 14   | 772100   | 1   | NUT, HEX 1/2-13                 |
| 13   | 773590   | 1   | WASHER, LOCK 1/2                |
| 12   | 779032   | 1   | CASTER 4 X 1-1/4, 1/2-13 POST   |
| 11   | 784902   | 1   | LEG WELDMENT, OUTRIGGER 2416    |
| 10   | 772358   | 2   | NUT, INSERT JAM 1/2-13          |
| 9    | 772350   | 2   | NUT, INSERT JAM 3/8-16          |
| 8    | 771127   | 2   | SCREW, HHC 1/2-13 X 2-1/2 GRD 5 |
| 7    | 771090   | 2   | SCREW, HHC 3/8-16 X 1-1/2       |
| 6    | 778362   | 2   | TAPE, 1" B/Y CAUTION STRIPE     |
| 5    | 778348   | 2   | LABEL, LOWER STABILIZER LEGS    |
| 4    | 774080   | 2   | PIN, ROLL 3/16 X 1              |
| 3    | 783940   | 2   | OUTRIGGER LOCK ASSEMBLY         |
| 2    | 783943   | 2   | OUTRIGGER SUPPORT TUBE          |
| 1    | 784901   | 2   | LEG ASSEMBLY, OUTRIGGER 2416    |
|      |          |     | Parts List                      |

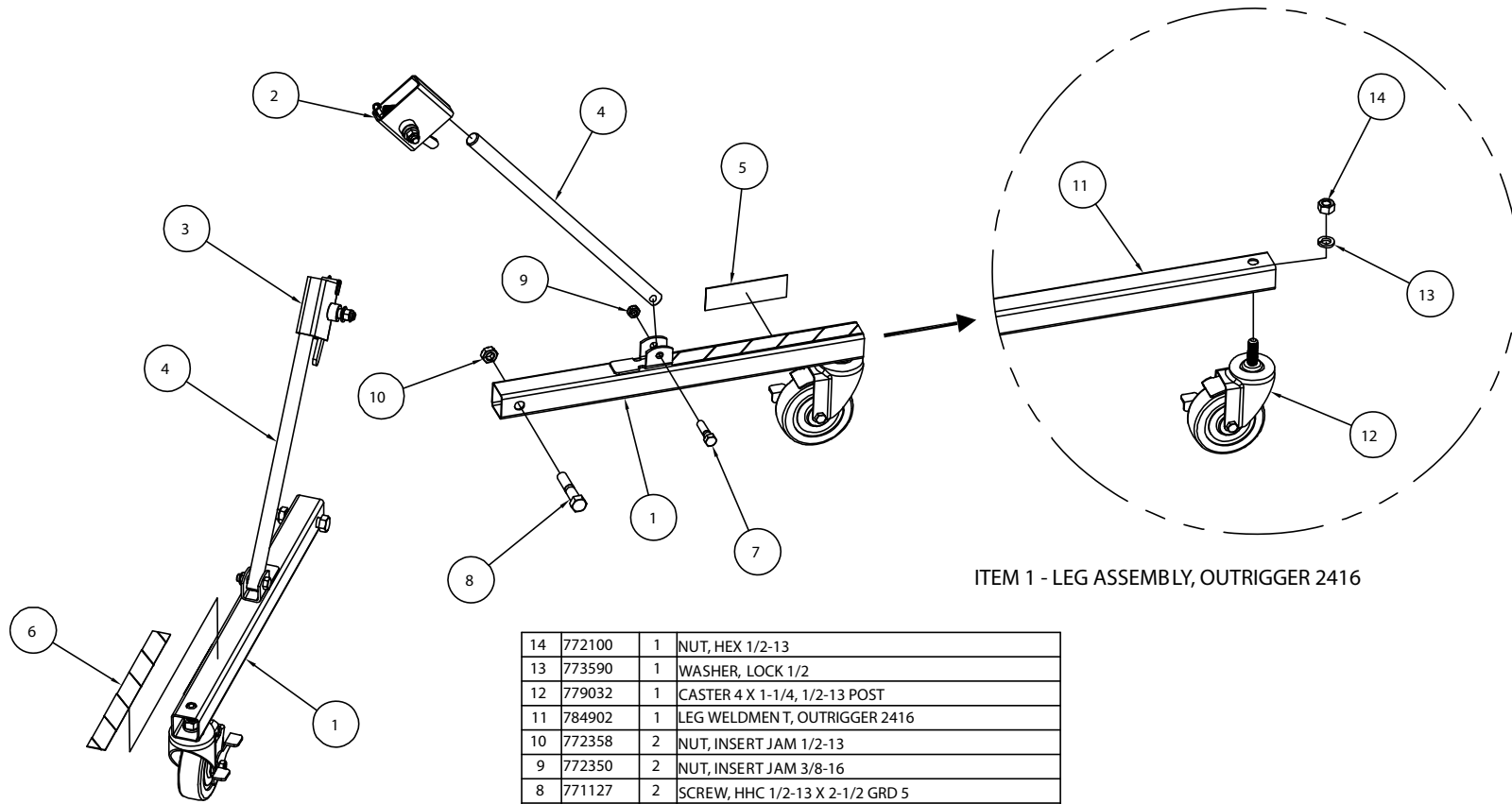
# 783940 - OUTRIGGER LOCK ASSEMBLY



DISCARD ITEM #3 ONCE THE OUTRIGGER  
LOCK ASSEMBLY IS IN PLACE ON  
THE OUTRIGGER SUPPORT TUBE

|            |          |     |                                 |
|------------|----------|-----|---------------------------------|
| 8          | 774084   | 2   | PIN, ROLL 3/16 X 2              |
| 7          | 776221   | 1   | SPRING, CENTURY #2952           |
| 6          | 779938   | 2   | CAP, RECT RD END 3/16 X 1/2 X 2 |
| 5          | 772358   | 1   | NUT, INSERT JAM 1/2-13          |
| 4          | 771141   | 1   | SCREW, HHC 1/2-13 X 2-3/4       |
| 3          | 783944   | 1   | OUTRIGGER SUPPORT TUBE STUB     |
| 2          | 783942   | 2   | OUTRIGGER LOCK FINGER           |
| 1          | 783941   | 1   | OUTRIGGER LOCK TUBE             |
| Item       | Part No. | Qty | Description                     |
| Parts List |          |     |                                 |

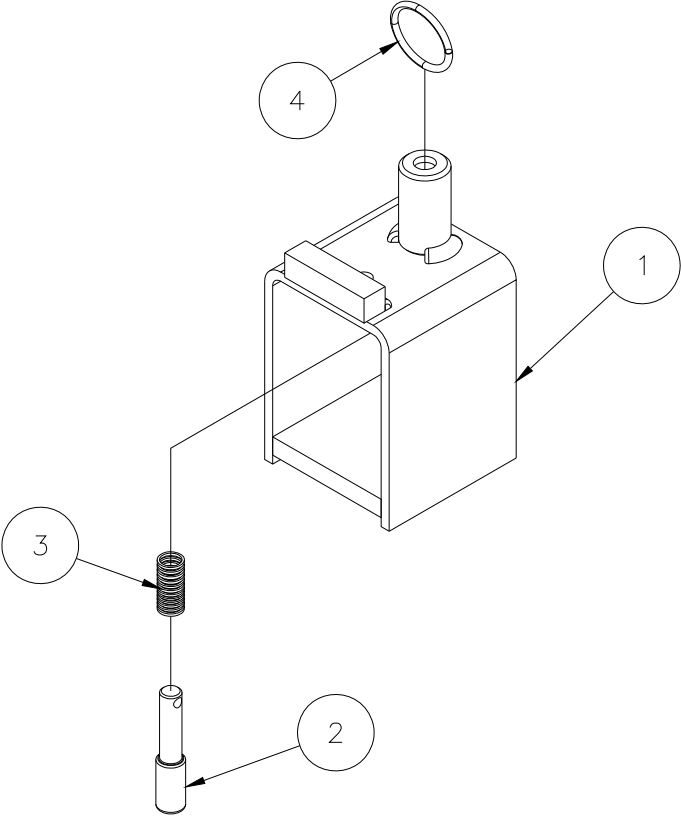
# 784900 - 2416 OUTRIGGER ASSEMBLY (OBSOLETE)



ITEM 1 - LEG ASSEMBLY, OUTRIGGER 2416

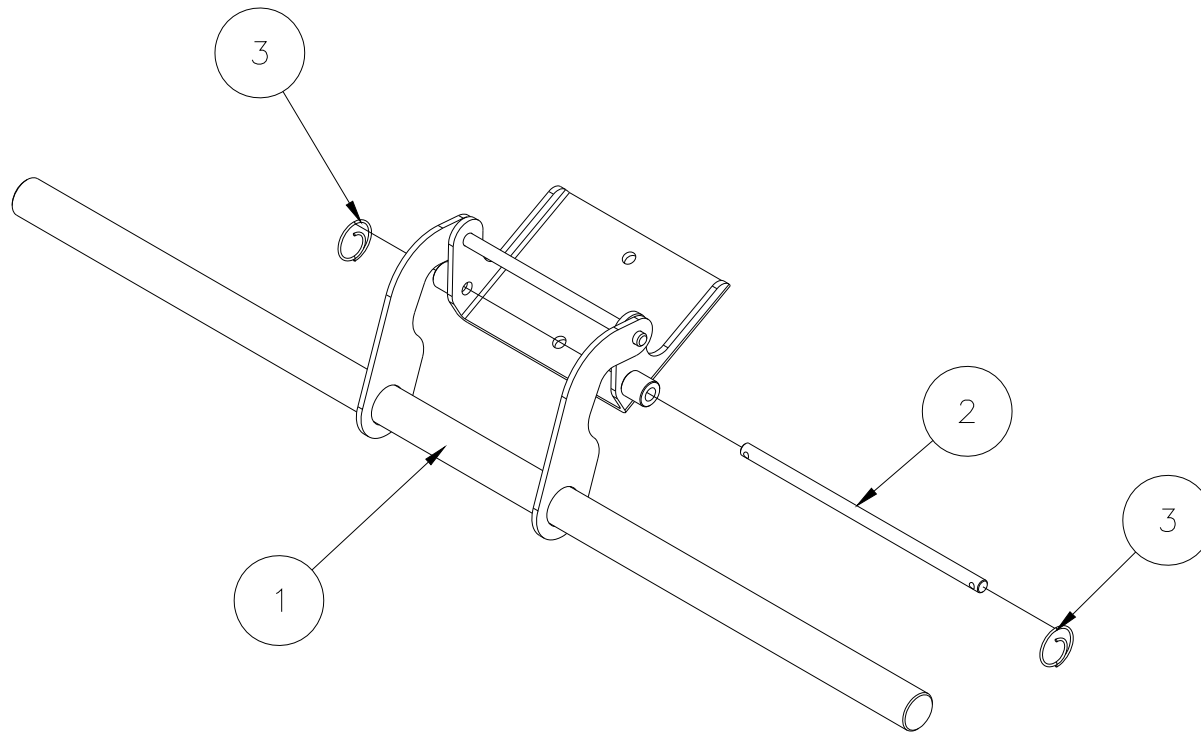
|            |          |     |                                 |
|------------|----------|-----|---------------------------------|
| 14         | 772100   | 1   | NUT, HEX 1/2-13                 |
| 13         | 773590   | 1   | WASHER, LOCK 1/2                |
| 12         | 779032   | 1   | CASTER 4 X 1-1/4, 1/2-13 POST   |
| 11         | 784902   | 1   | LEG WELDMEN T, OUTRIGGER 2416   |
| 10         | 772358   | 2   | NUT, INSERT JAM 1/2-13          |
| 9          | 772350   | 2   | NUT, INSERT JAM 3/8-16          |
| 8          | 771127   | 2   | SCREW, HHC 1/2-13 X 2-1/2 GRD 5 |
| 7          | 771090   | 2   | SCREW, HHC 3/8-16 X 1-1/2       |
| 6          | 778362   | 2   | TAPE, 1" B/Y CAUTION STRIPE     |
| 5          | 778348   | 2   | LABEL, LOWER STABILIZER LEGS    |
| 4          | 784904   | 2   | OUTRIGGER SUPPO RT BAR 2416     |
| 3          | 783726   | 1   | OUTRIGGER LOCK ASSEMB LY, LEFT  |
| 2          | 783718   | 1   | OUTRIGGER LOCK ASSEMB LY, RIGHT |
| 1          | 784901   | 2   | LEG ASSEMB LY, OUTRIGGER 2416   |
| Item No.   | Part No. | Qty | Description                     |
| Parts List |          |     |                                 |

# 784820 - LEG LOCK ASSEMBLY (OBSOLETE)



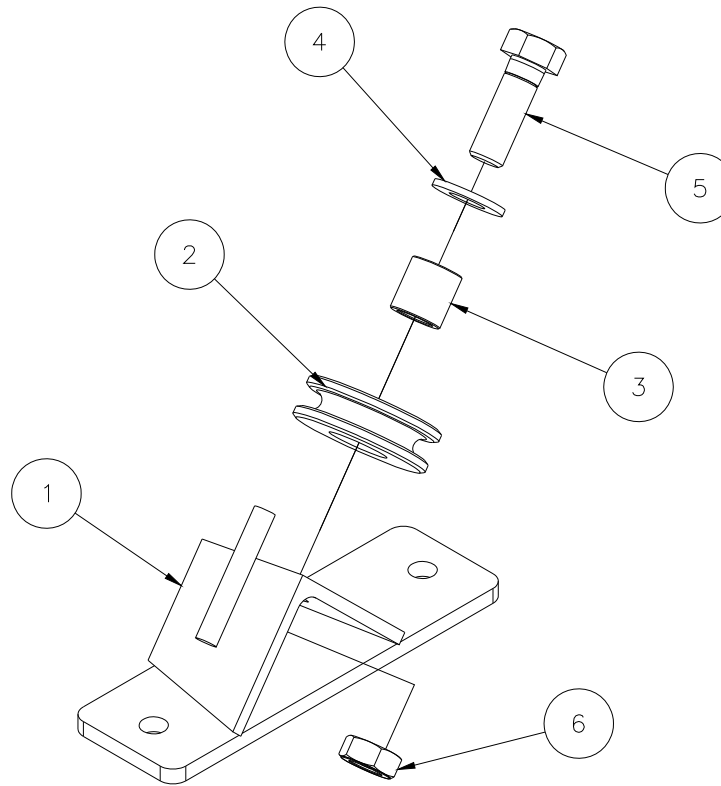
|            |          |     |                               |
|------------|----------|-----|-------------------------------|
| 4          | 775110   | 1   | SPLIT RING 1-1/4" NICK. PLTD. |
| 3          | 776212   | 1   | SPRING, #DWC-042-G-9          |
| 2          | 782510   | 1   | PLUNGER                       |
| 1          | 784821   | 1   | LEG LOCK WELDMENT 2400 LIFT   |
| Item       | Part No. | Qty | Description                   |
| Parts List |          |     |                               |

# 784620 - BRAKE ASSEMBLY



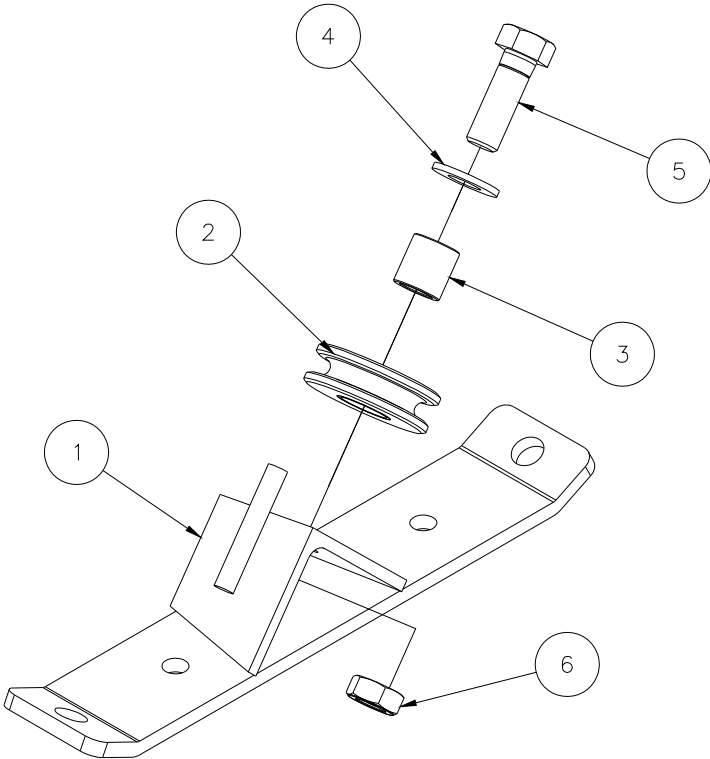
|            |          |     |                   |
|------------|----------|-----|-------------------|
| 3          | 774053   | 2   | .750Ø RING COTTER |
| 2          | 784216   | 1   | BRAKE MOUNT PIN   |
| 1          | 784625   | 1   | BRAKE WELDMENT    |
| Item       | Part No. | Qty | Description       |
| Parts List |          |     |                   |

# 784780 - 2412 SPREADER PLATE ASSEMBLY



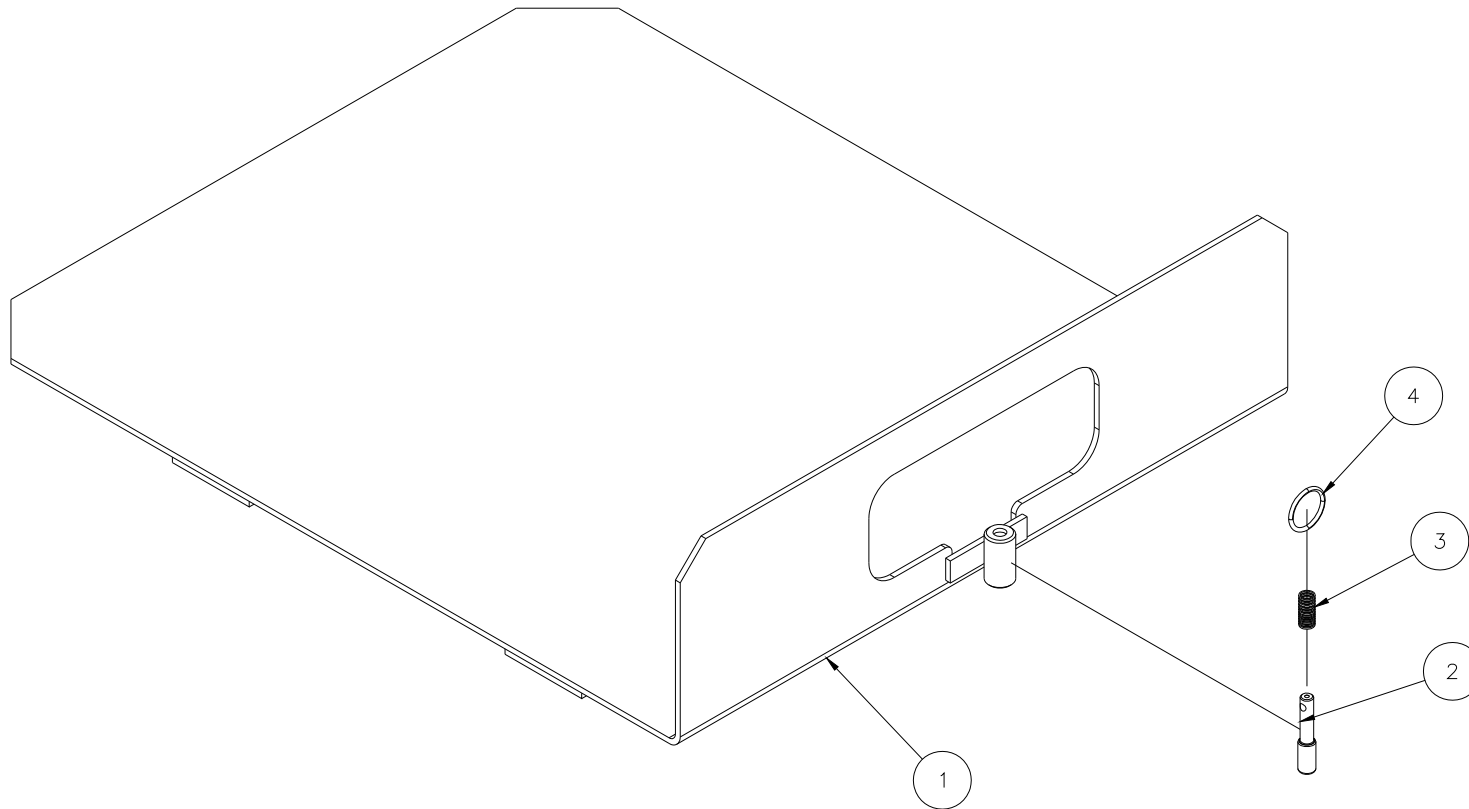
|            |          |     |                           |
|------------|----------|-----|---------------------------|
| 6          | 772358   | 1   | NUT, INSERT JAM 1/2-13    |
| 5          | 771120   | 1   | SCREW, HHC 1/2-13 X 1-1/2 |
| 4          | 773094   | 1   | WASHER, FL 1/2 SAE        |
| 3          | 782960   | 1   | ROLLER SHAFT              |
| 2          | 780025   | 1   | SHEAVE, RAB 2"            |
| 1          | 784781   | 1   | SPREADER PLATE WELDMENT   |
| Item       | Part No. | Qty | Description               |
| Parts List |          |     |                           |

# 784784 - 2416 SPREADER PLATE ASSEMBLY



|            |          |     |                              |
|------------|----------|-----|------------------------------|
| 6          | 772358   | 1   | NUT, INSERT JAM 1/2-13       |
| 5          | 771120   | 1   | SCREW, HHC 1/2-13 X 1-1/2    |
| 4          | 773094   | 1   | WASHER, FL 1/2 SAE           |
| 3          | 782960   | 1   | ROLLER SHAFT                 |
| 2          | 780025   | 1   | SHEAVE, RAB 2"               |
| 1          | 784788   | 1   | SPREADER PLATE WELDMENT 2416 |
| Item       | Part No. | Qty | Description                  |
| Parts List |          |     |                              |

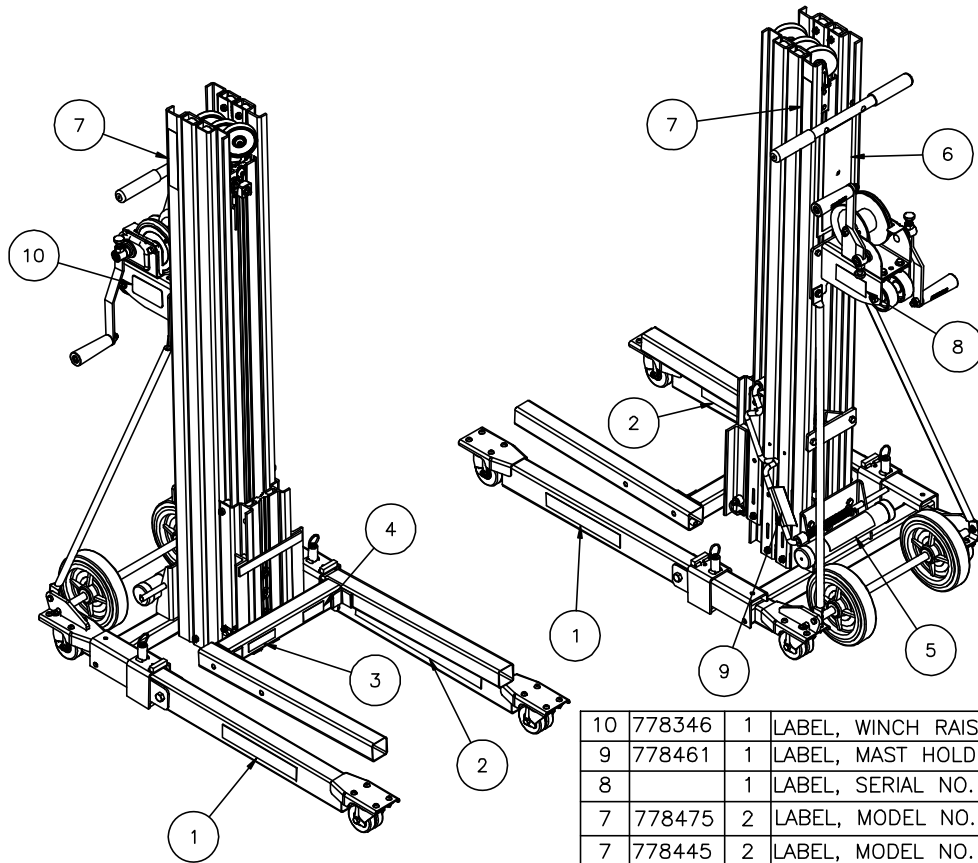
# 784320 - TRAY ASSEMBLY



|            |          |     |                              |
|------------|----------|-----|------------------------------|
| 4          | 775110   | 1   | SPLIT RING 1-1/4" NICK PLTD. |
| 3          | 776212   | 1   | SPRING, #DWC-042-G-9         |
| 2          | 782510   | 1   | PLUNGER                      |
| 1          | 784321   | 1   | TRAY WELDMENT 2412 LIFT      |
| Item       | Part No. | Qty | Description                  |
| Parts List |          |     |                              |



## 2400 LABEL KIT



|            |          |     |                                  |
|------------|----------|-----|----------------------------------|
| 10         | 778346   | 1   | LABEL, WINCH RAISE/LOWER         |
| 9          | 778461   | 1   | LABEL, MAST HOLD DOWN BAR TYPE   |
| 8          |          | 1   | LABEL, SERIAL NO.                |
| 7          | 778475   | 2   | LABEL, MODEL NO. 2416            |
| 7          | 778445   | 2   | LABEL, MODEL NO. 2412            |
| 6          | 778458   | 1   | LABEL, LARGE WARNING 2200 LIFT   |
| 5          | 778906   | 1   | LABEL, OPERATORS MANUAL          |
| 4          | 778347   | 1   | LABEL, NO RIDERS WARNING         |
| 3          | 778339   | 1   | LABEL, CARRIAGE LATCH WARNING    |
| 2          | 778457   | 2   | LABEL, "DO NOT STAND UNDER LOAD" |
| 1          | 778450   | 2   | LABEL, "SUMNER" 2200 LIFT        |
| Item       | Part No. | Qty | Description                      |
| Parts List |          |     |                                  |