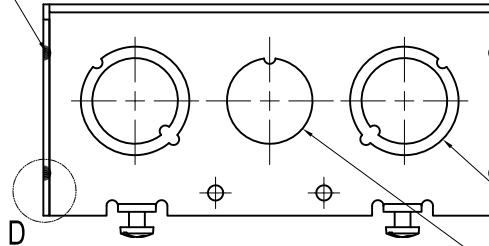


SIDES	BOTTOM
2 1/2" KNOCKOUTS	
10 1/2"-3/4" KNOCKOUTS	
2 PCS 8-32x1/2 Screws Installed	
Material: Steel-0.0625"-G60 Galvanized	

12 PLACES SPOT WELDING

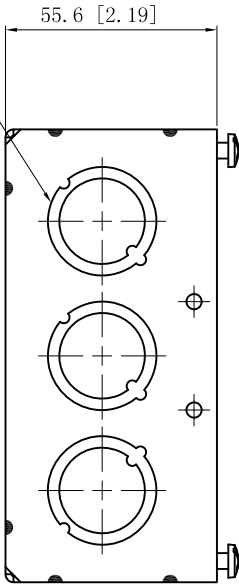


WELDING STYLE DETAIL VIEW D

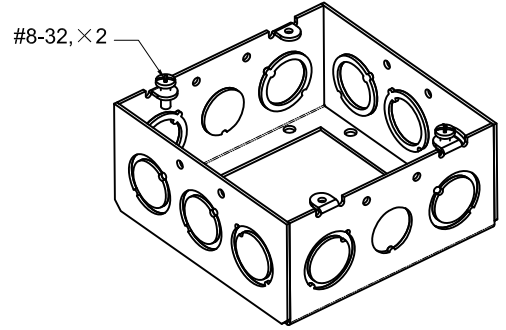
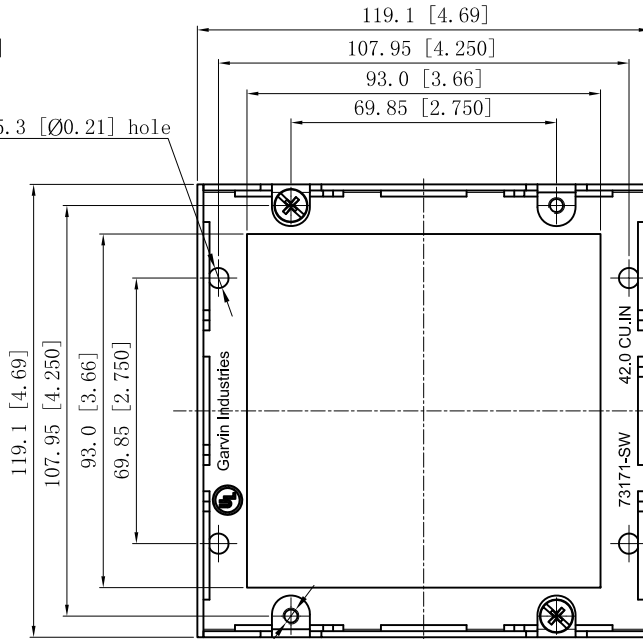


4 1/2"-3/4" MOON KNOCKOUTS $\phi=22.5$ [$\phi=0.886$]
 $\phi=28.5$ [$\phi=1.122$]
 2 1/2" KNOCKOUTS $\phi=22.5$ [$\phi=0.886$]

6 1/2"-3/4" MOON KNOCKOUTS $\phi=22.5$ [$\phi=0.886$]
 $\phi=28.5$ [$\phi=1.122$]



8- $\phi 5.3$ [$\phi 0.21$] hole



DESCRIPTION
TRADE REFERENCE TERMS

This data sheet is for reference only. GARVIN INDUSTRIES reserves the right to make changes to the design without prior notice.

STANDARD PACKING	<h1 style="text-align: center;">GARVIN INDUSTRIES</h1>		
25 PCS	SIZE	DWG NO.	REV
	A4	73171-SW	A
DATA SHEET			