

# 4" LED Recessed Can

New Construction IC Air Tight  
**RH4/NLED/IC/AT**

## Product Specifications

Features Quick Connect for use with LED Trim Module

### Plaster Frame

Galvanized steel construction. The housing can be removed from plaster frame to provide access to the junction box

### Thermal Protector

Self resetting thermal protector deactivates fixture if overheating occurs due to improper lamping or misapplied insulation



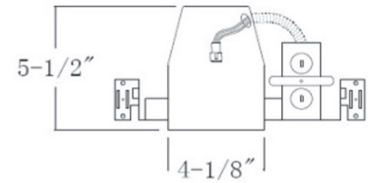
## Installation

### Bar Hanger

Pre-installed nails easily install in regular or engineered lumber. Bar hangers are adjustable from 13-5/8" to 25" and can be repositioned 90 degree on plaster frame

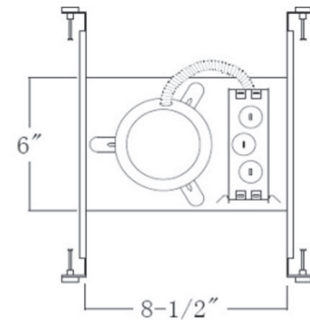
### Junction Box

Listed for through branch circuit wiring. Contains seven 7/8" knockouts and four Romex pryouts with strain relief



## Labels and Listings

cULus Listed for Feed Through Wiring  
Certified under ASTM - E283 for Air Tight Construction



**Product Code: 79990**  
**Item # RH4/NLED/IC/AT**

Specifications Subject To Change Without Notice

Series	Aperture Size	Lamp Orientation	Construction	Lamp Style	Insulation Contact	Airtight	Voltage	Options
RH= Recessed Housing	4	Blank=Vert	R=Remodel	Blank=Incand.	Blank=Non-IC	Blank=Non-AT	Blank=120	Any Modifications
	5	H=Hor	N=New	C=CFL	IC=IC	AT=AT	H=120/277	
	6			G=GU LED=LED LV=Low Voltage				