



# Southwire™

## DIE CAST ALUMINUM BOXES

### DOUBLE GANG BOXES

#### 5 HOLE SIDE OPENING

#### FEATURES

- 31 cubic inch capacity
- 1/2", 3/4" or 1" threaded hub
- Superior commercial quality die cast metal construction
- Boxes include closure plugs, grounding screws and mounting lugs
- Installation instructions included
- Gray

#### APPLICATIONS

- UL listed for wet locations
- For wall or pole mounting of outdoor outlets, switches or floodlights

#### STANDARD MATERIAL

- Copper free aluminum

#### STANDARD FINISH

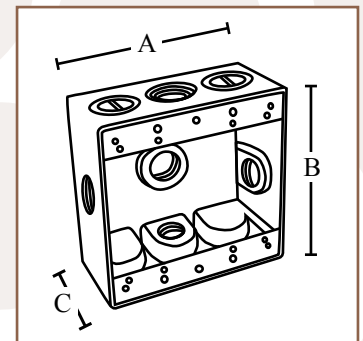
- Premium powder coat finish



WB2550X



UL® Listed and 2011 NEC® and  
NEMA® 3R Compliant



PART #	THREADED HUB	MASTER QTY.	WEIGHT/ CASE (LBS.)	A	B	C
WB2550X	1/2"	10	20	4.56"	4.56"	2"
WB2575X	3/4"	10	20	4.56"	4.56"	2"
WB25100X	1"	10	20	4.56"	4.56"	2"

Rev. 0, 06/23

**BUILT FOR DURABILITY.  
BUILT FOR RELIABILITY.  
BUILT FOR WORK.™**

1-855-798-6657 | SOUTHWIRE.COM

©2023 Southwire Company, LLC. All rights reserved.  
\*Registered Trademark & ™Trademark of Southwire Company, LLC.